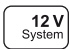


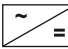







LED 2029 (2.5 A / 22 AWG)
LED 2045 (2.5 A / 22 AWG)
LED 2043 (2.5 A / 22 AWG)
LED 2037 (2.5 A / 22 AWG)

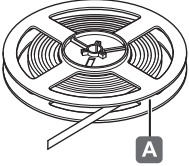
833.73.120 833.73.492
833.73.121 833.73.493
833.73.122 833.73.510
833.73.123 833.73.511
833.73.130 833.73.512
833.73.131 833.73.513
833.73.132 833.73.680
833.73.133 833.73.681
833.73.490 833.73.682
833.73.491

732.28.356

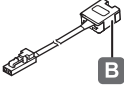
	K	W	T_A			
833.73.493	2700 K	9.6 W/m	-20 °C – +35 °C -4 °F – +95 °F	5000 x 10 x 1.3	≥ 20 x 11.3	
833.73.490	3000 K					
833.73.491	4000 K					
833.73.492	5000 K					
833.73.130	2700 K	7.2 W/m				
833.73.131	3000 K					
833.73.132	4000 K					
833.73.133	5000 K					
833.73.120	2700 K	4.8 W/m				
833.73.121	3000 K					
833.73.122	4000 K					
833.73.123	5000 K					
833.73.513	2700 K	4.0 W/m				
833.73.680						
833.73.510	3000 K					
833.73.681						
833.73.511	4000 K					
833.73.682						
833.73.512	5000 K					

HDE 07/2017

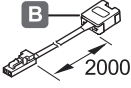


A

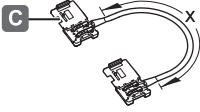


B

+

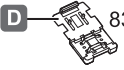


B 833.73.728
2000

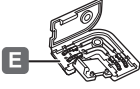


C

X	
50	833.73.721
500	833.73.719
1000	833.73.722
2000	833.73.720





D 833.73.731

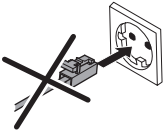


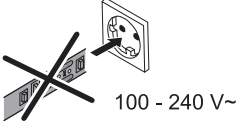
E 833.73.733

i

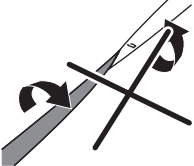


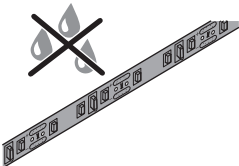


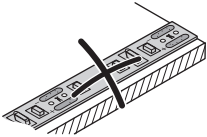


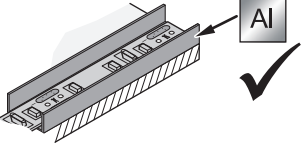


100 - 240 V~









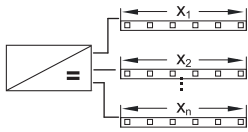
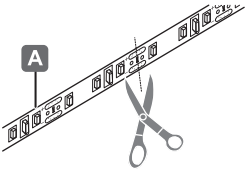
AI

LED 2029	833.73.490
	833.73.491
	833.73.492
	833.73.493
LED 2045	833.73.130
	833.73.131
	833.73.132
	833.73.133

732.28.356

HDE 07/2017

1



$$x_1 + x_2 + \dots + x_n \leq X$$

i

12 V / 6 W

	x_n [m]	X[m]
LED 2029	0.450	0.450
LED 2045	0.600	0.600
LED 2043	0.900	0.900
LED 2037	1.100	1.100

12 V / 20 W

	x_n [m]	X[m]
LED 2029	1.800	1.800
LED 2045	2.400	2.400
LED 2043	3.600	3.600
LED 2037	4.300	4.300

12 V / 40 W

	x_n [m]	X[m]
LED 2029	2.500	3.600
LED 2045	3.400	4.800
LED 2043	5.000	7.200
LED 2037	5.000	8.600

12 V / 15 W

	x_n [m]	X[m]
LED 2029	1.200	1.200
LED 2045	1.600	1.600
LED 2043	2.400	2.400
LED 2037	2.900	2.900

12 V / 27 W

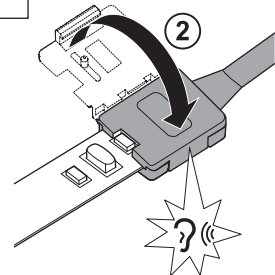
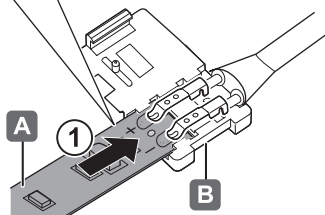
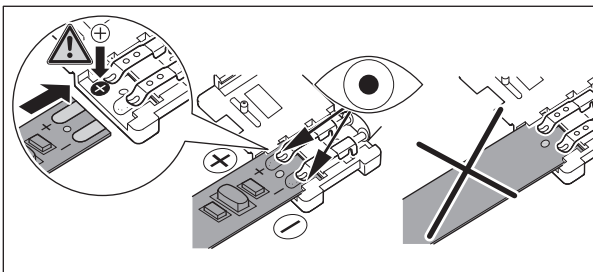
	x_n [m]	X[m]
LED 2029	2.100	2.100
LED 2045	2.800	2.800
LED 2043	4.250	4.250
LED 2037	5.000	5.000

12 V / 60 W

	x_n [m]	X[m]
LED 2029	2.500	5.500
LED 2045	3.400	7.400
LED 2043	5.000	11.100
LED 2037	5.000	13.300

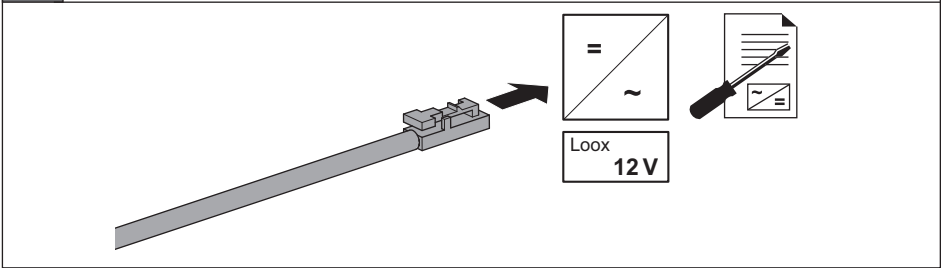
732.28.356

2

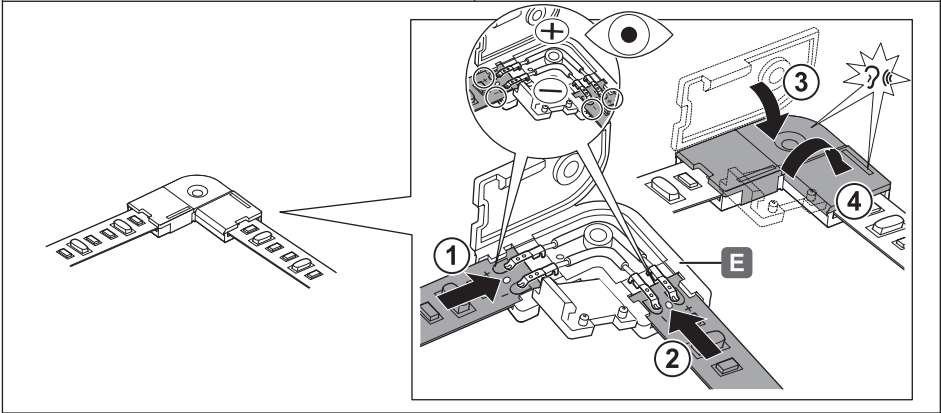
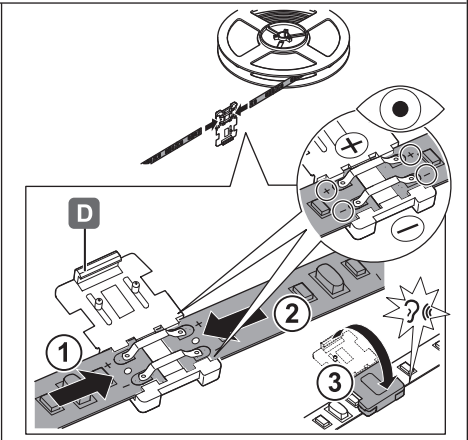
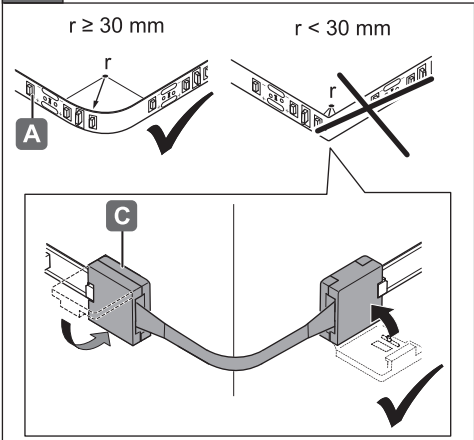


HDE 07/2017

3



+



732.26.356

HDE 07/2017