



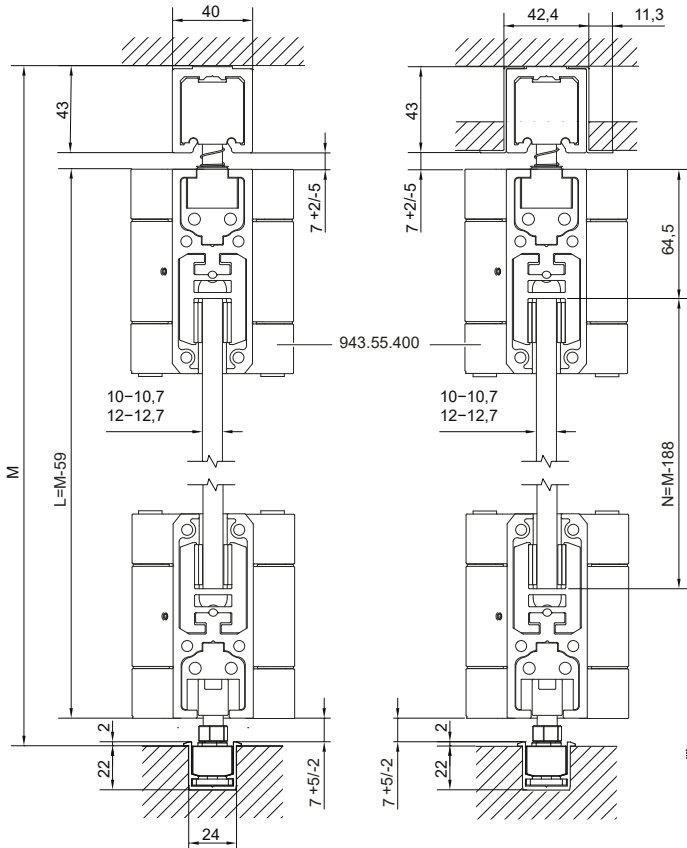
**Slido W-Fold32 100G**

943.55.020 943.55.022  
943.55.029 943.55.031

**i**

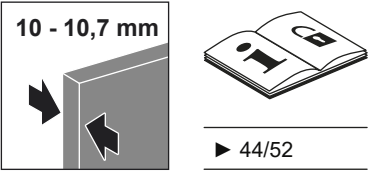
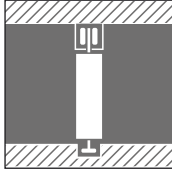
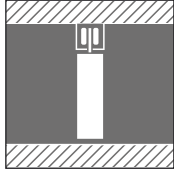

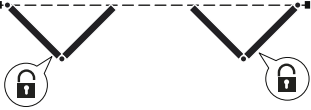

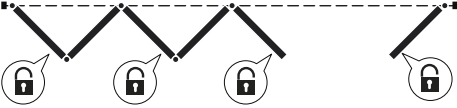


732.29.863

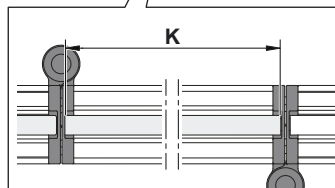
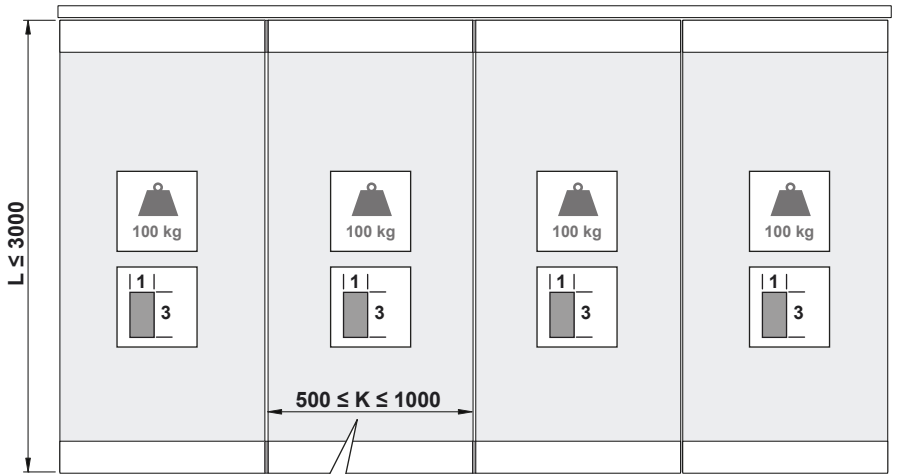
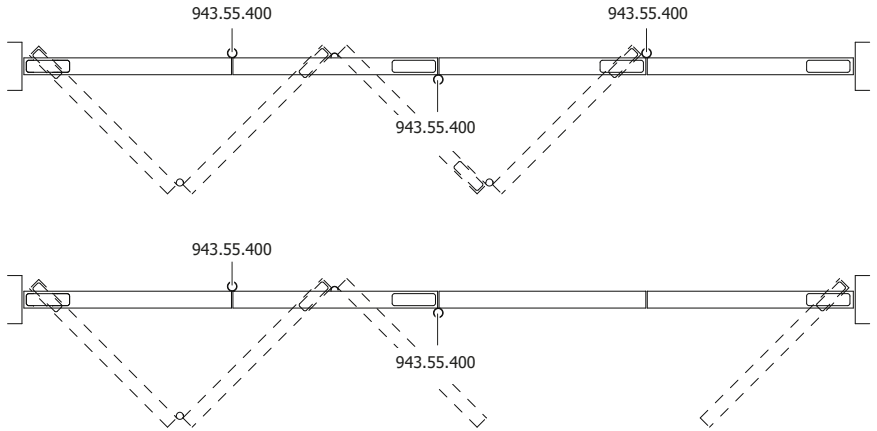


▶ 8/52

HDE 25.08.2022

 <p>10 - 10,7 mm</p> <p>▶ 44/52</p>		
	<p>943.55.020: 1x            943.55.026: 1x            943.55.041: 1x            943.55.051: 1x            (943.55.061: 2x)            943.55.502: 3x            943.55.400: 1x            943.55.401: 2x            943.55.404: 2x            943.55.406: 1x            943.55.402: 1x            943.55.405: 1x</p>	<p>943.55.022: 1x            943.55.027: 1x            943.55.041: 1x            (943.55.061: 2x)            943.55.502: 3x            943.55.400: 1x            943.55.401: 2x            943.55.403: 2x            943.55.073: 2x            943.55.406: 1x            943.55.402: 1x            943.55.405: 1x</p>
	<p>943.55.020: 2x            943.55.040: 1x            943.55.050: 1x            (943.55.060: 2x)            943.55.502: 4x            943.55.400: 2x            943.55.401: 2x            943.55.404: 2x            943.55.406: 1x            943.55.402: 1x            943.55.405: 1x</p>	<p>943.55.022: 2x            943.55.040: 1x            (943.55.060: 2x)            943.55.502: 4x            943.55.400: 2x            943.55.401: 2x            943.55.403: 2x            943.55.073: 2x            943.55.406: 1x            943.55.402: 1x            943.55.405: 1x</p>
	<p>943.55.020: 1x            943.55.024: 1x            943.55.040: 1x            943.55.050: 1x            (943.55.060: 2x)            943.55.502: 4x            943.55.400: 3x            943.55.401: 1x            943.55.404: 2x            943.55.406: 1x            943.55.402: 1x            943.55.405: 1x</p>	<p>-</p>
	<p>943.55.020: 1x            943.55.024: 1x            943.55.025: 1x            943.55.026: 1x            943.55.040: 1x            943.55.050: 1x            (943.55.060: 2x)            943.55.502: 6x            943.55.400: 4x            943.55.401: 2x            943.55.404: 4x            943.55.406: 1x            943.55.402: 2x            943.55.405: 1x</p>	<p>-</p>

i



732.29.863

HDE 25.08.2022



**943.55.020**  
**943.55.029**

**A** 1x   **C** 1x   **E** 1x   **G** 1x   **8x X**   **1x I**  
**B** 1x   **D** 1x   **1x F**   **H** 1x   **1x J**

**+** **943.55.024**  
**943.55.033**

**E** 1x   **G** 1x   **8x X**  
**F** 1x   **H** 1x

**+** **943.55.025**  
**943.55.034**

**V** 1x   **W** 1x   **4x X**

**+** **943.55.026**  
**943.55.035**

**A** 1x   **B** 1x   **D** 1x   **C** 1x   **4x V**   **1x V**  
**1x W**

**+** **943.55.060**  
**943.55.061**

**1x L**

**+** **943.55.040**  
**943.55.041**

**1x M**

**+** **943.55.050**  
**943.55.051**

**1x K**

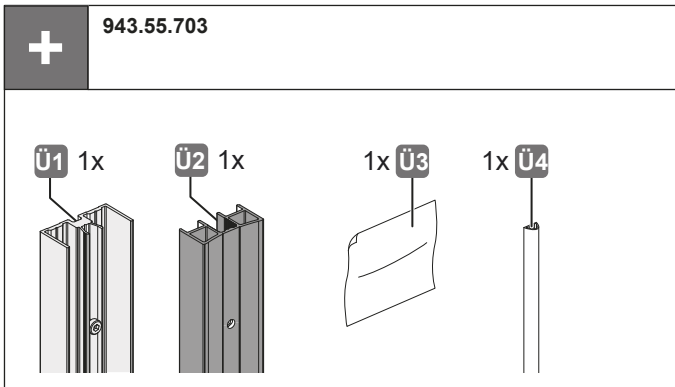
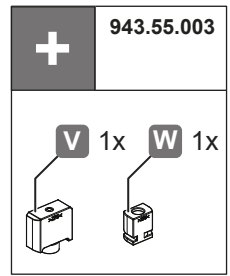
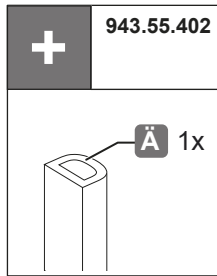
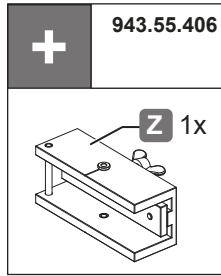
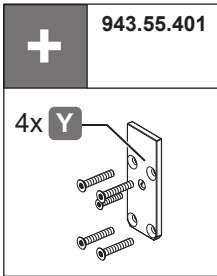
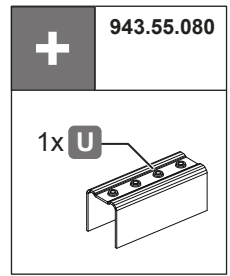
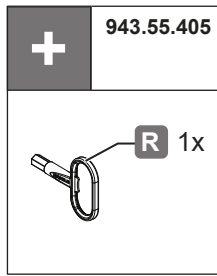
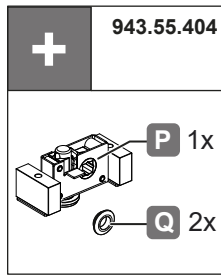
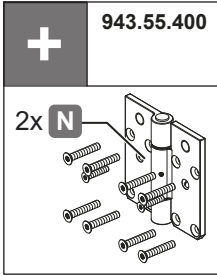
**+** **943.55.502**  
**943.55.501**  
**943.55.500**

**1x O**

732.29.863

HDE 25.08.2022





732.29.863



**943.55.022**  
**943.55.031**

**+** **943.55.027**  
**943.55.036**

**+** **943.55.060**  
**943.55.061**

**+** **943.55.040**  
**943.55.041**

**+** **943.55.502**  
**943.55.501**  
**943.55.500**

**+** **943.55.401**

**+** **943.55.400**

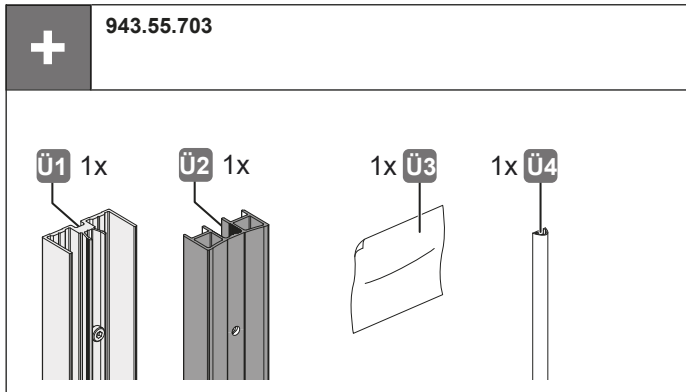
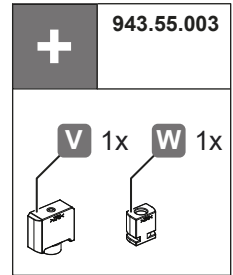
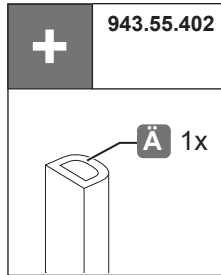
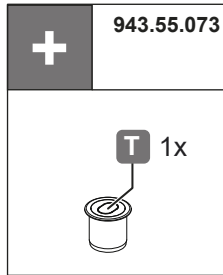
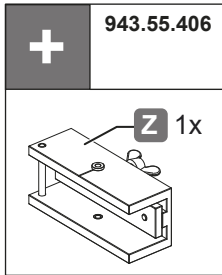
**+** **943.55.403**

**+** **943.55.405**

**+** **943.55.080**

732.29.863

HDE 25.08.2022



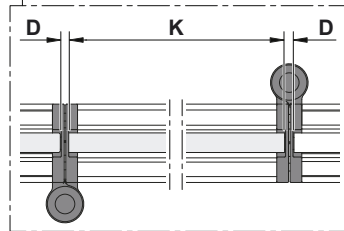
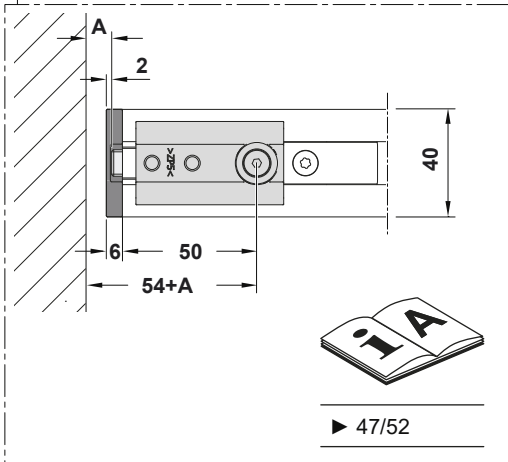
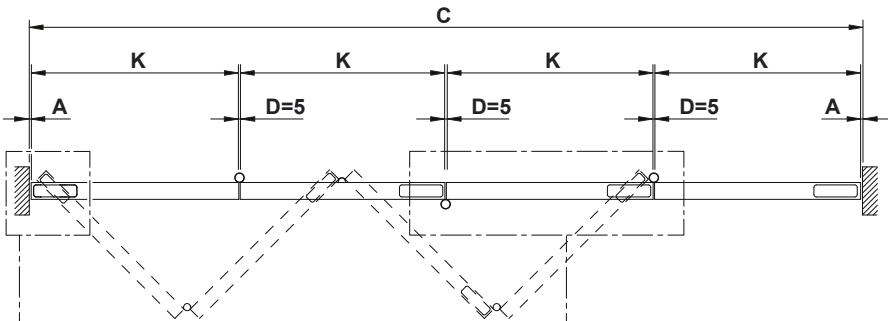
732.29.863

HDE 25.08.2022

i



$$K = (C - A - D - D - A) / 4$$



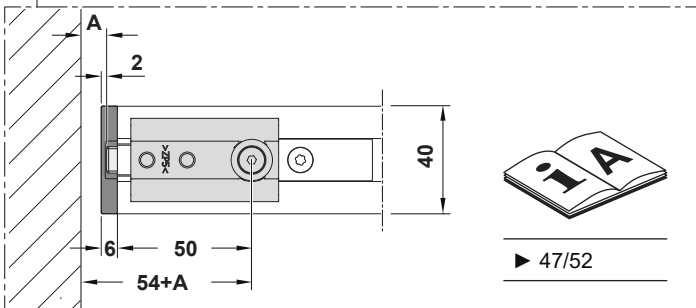
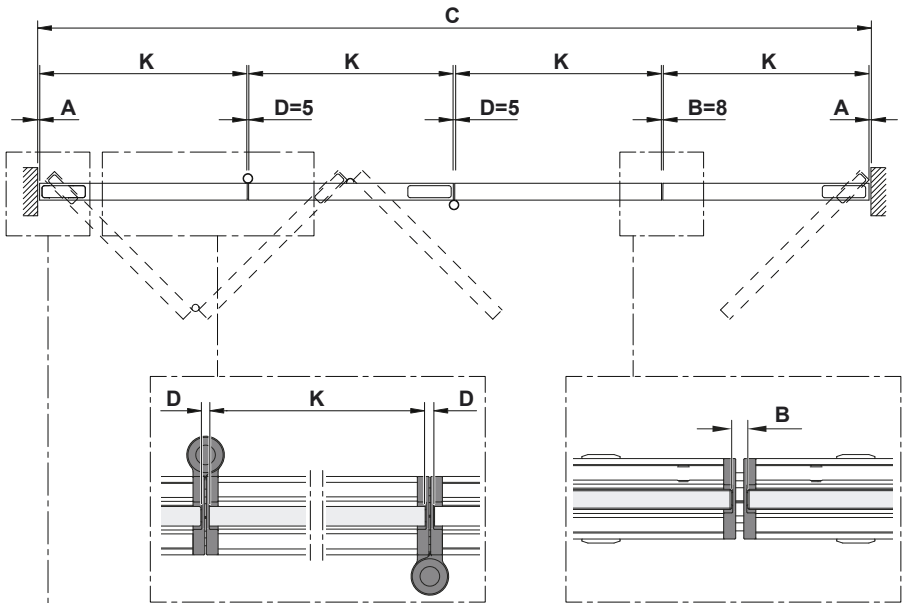
732.29.863

HDE 25.08.2022

i



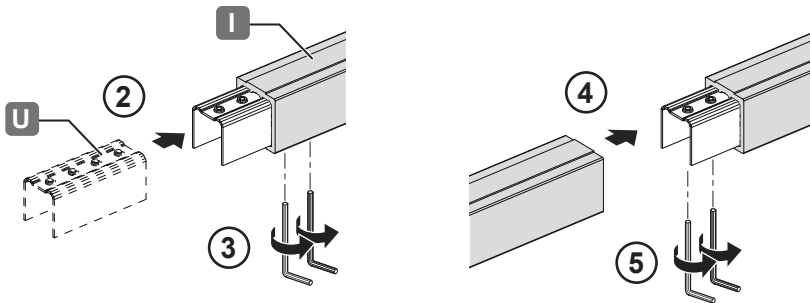
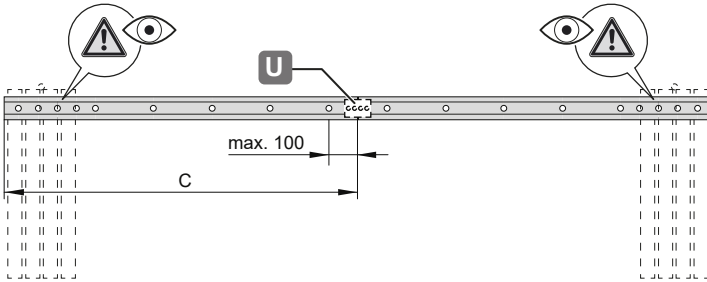
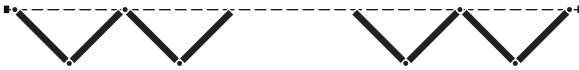
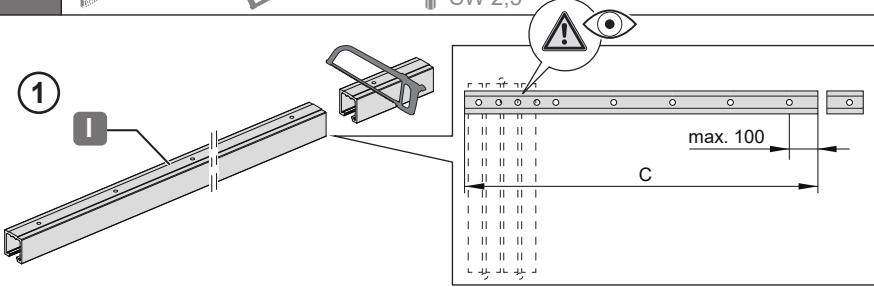
$$K = (C - A - D - D - B - A) / 4$$



732.29.863

HDE 25.08.2022

1



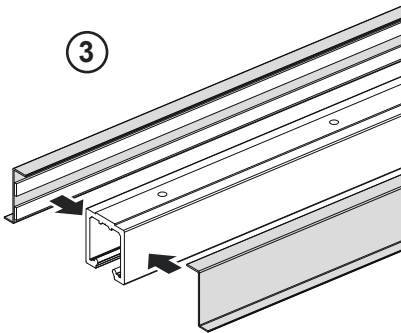
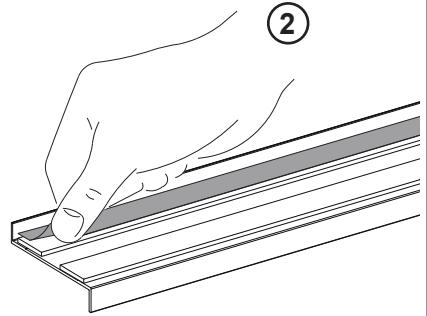
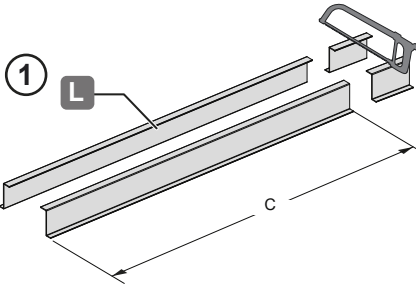
732.29.863

HDE 25.08.2022

2



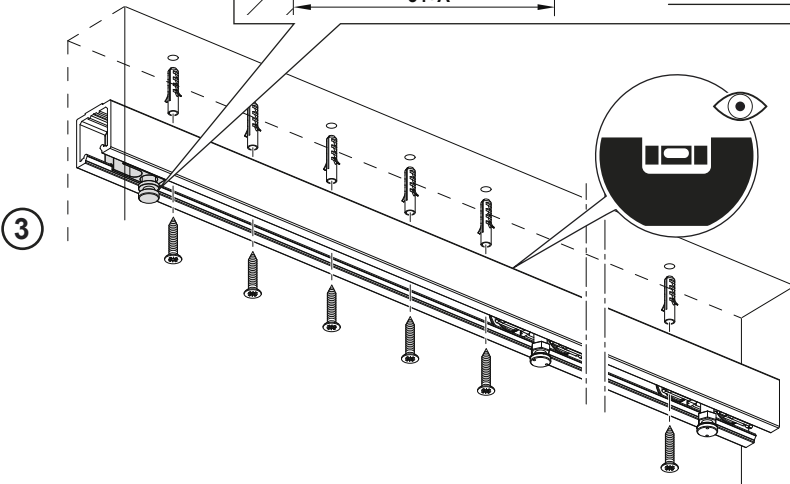
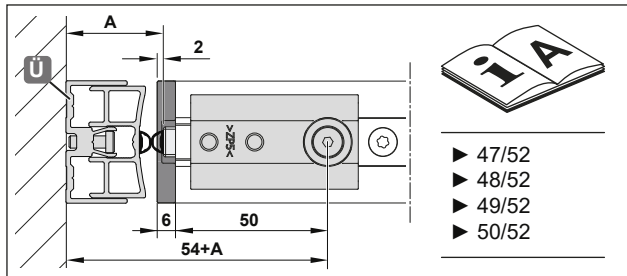
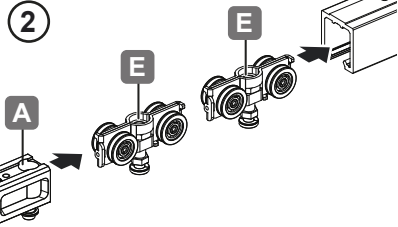
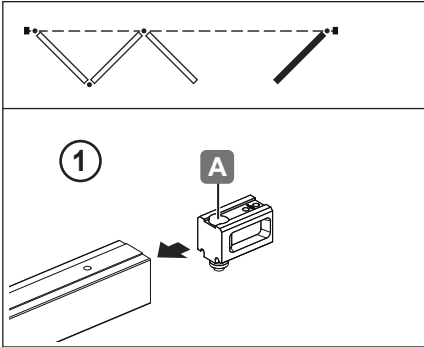
943.55.060  
943.55.061



732.29.863

HDE 25.08.2022

3



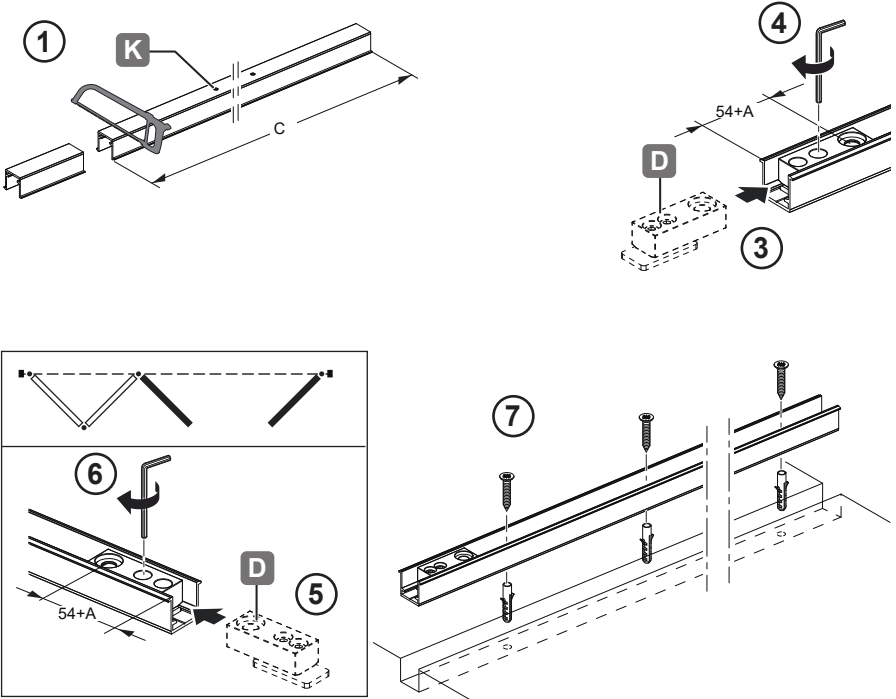
732.29.863

HDE 25.08.2022





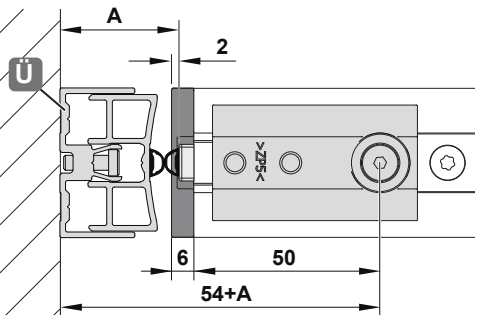
4



732.29.863

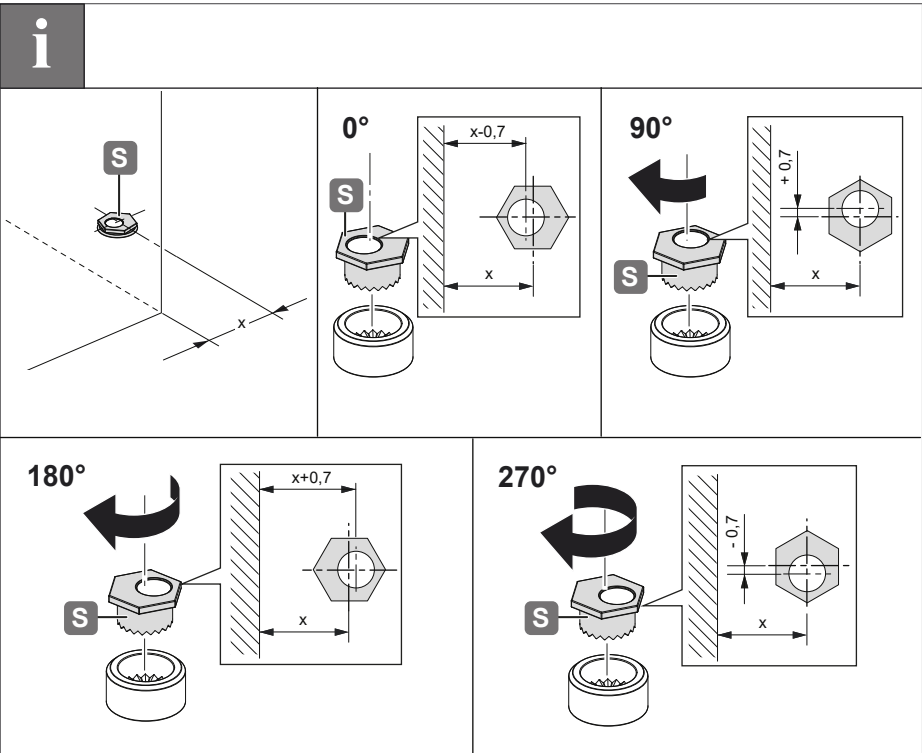
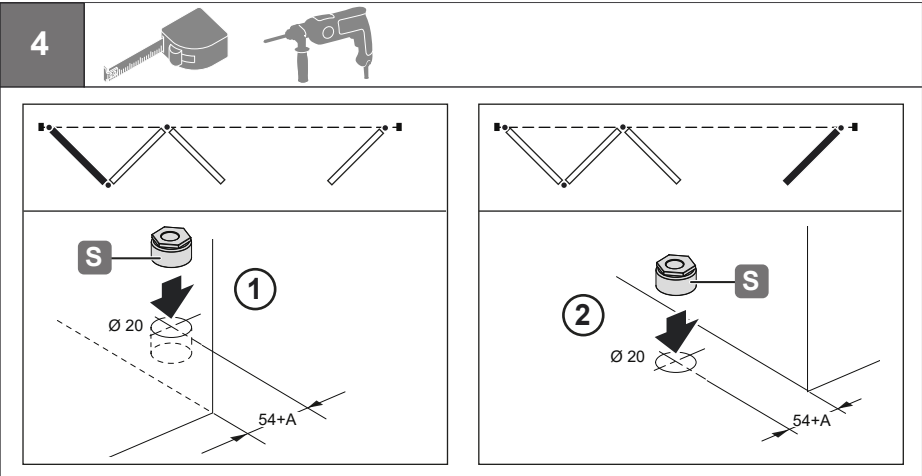
i

943.55.703

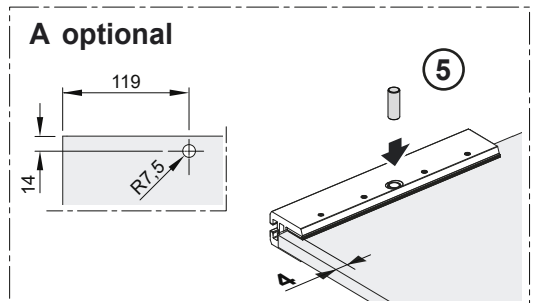
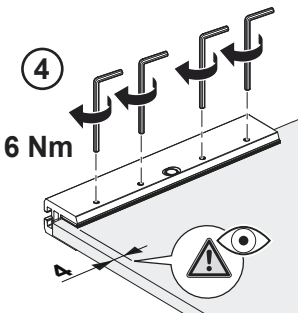
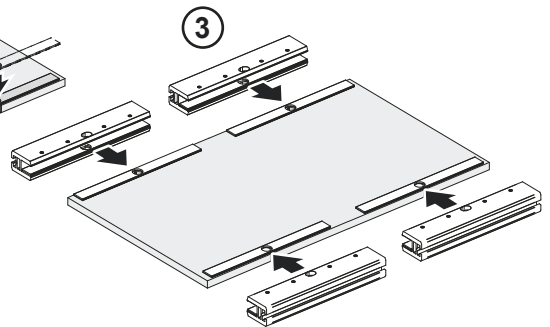
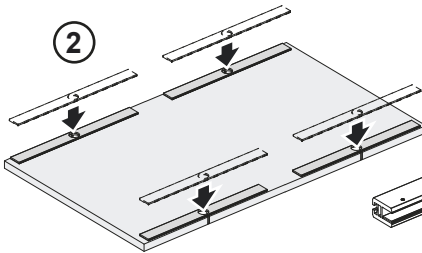
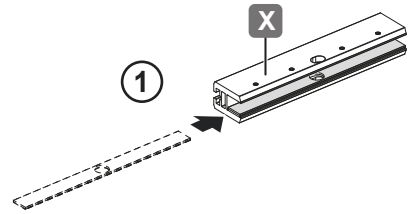
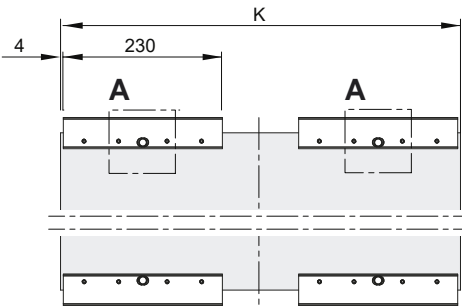


- ▶ 47/52
- ▶ 48/52
- ▶ 49/52
- ▶ 50/52

HDE 25.08.2022

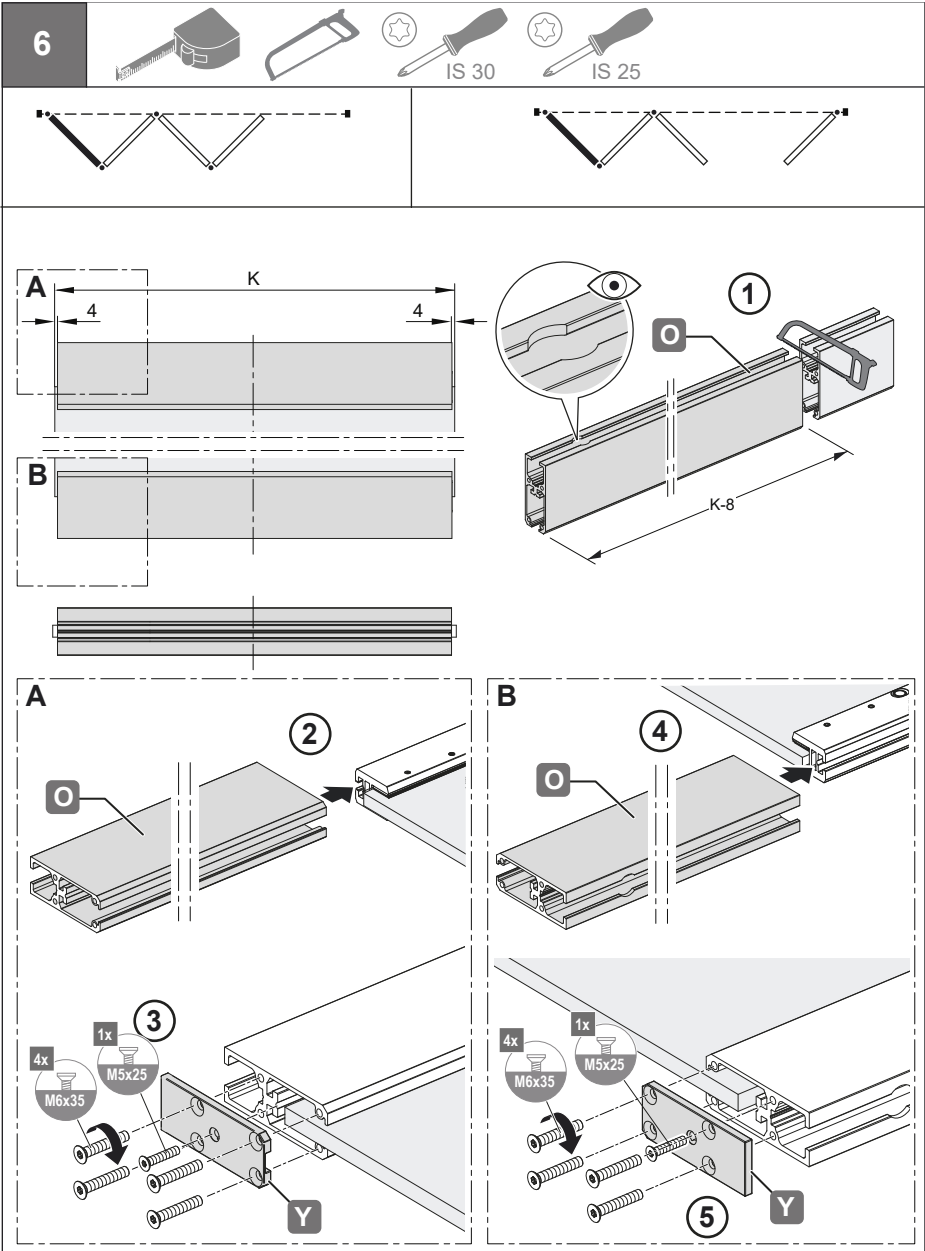


5



732.29.863

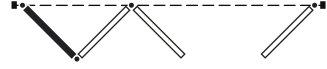
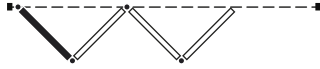
HDE 25.08.2022



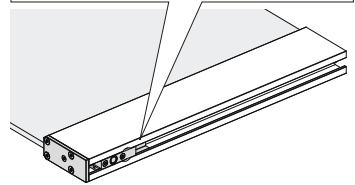
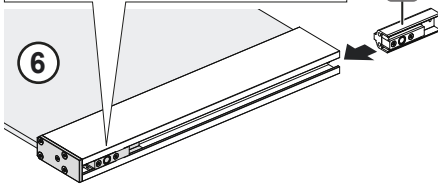
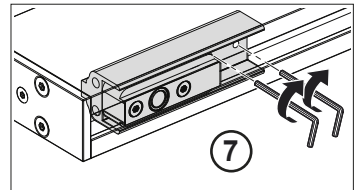
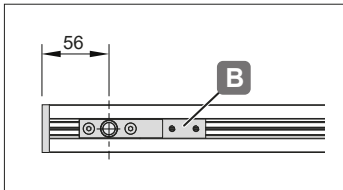
732.29.863

HDE 25.08.2022

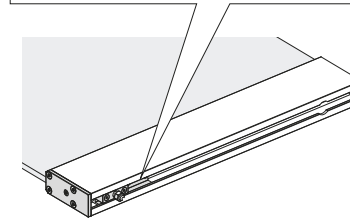
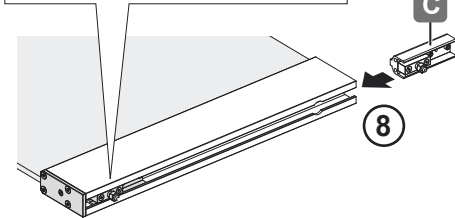
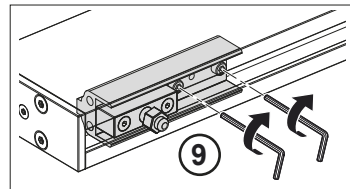
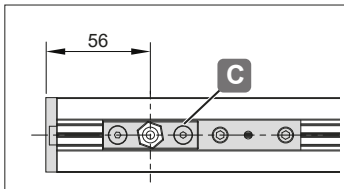
6



A

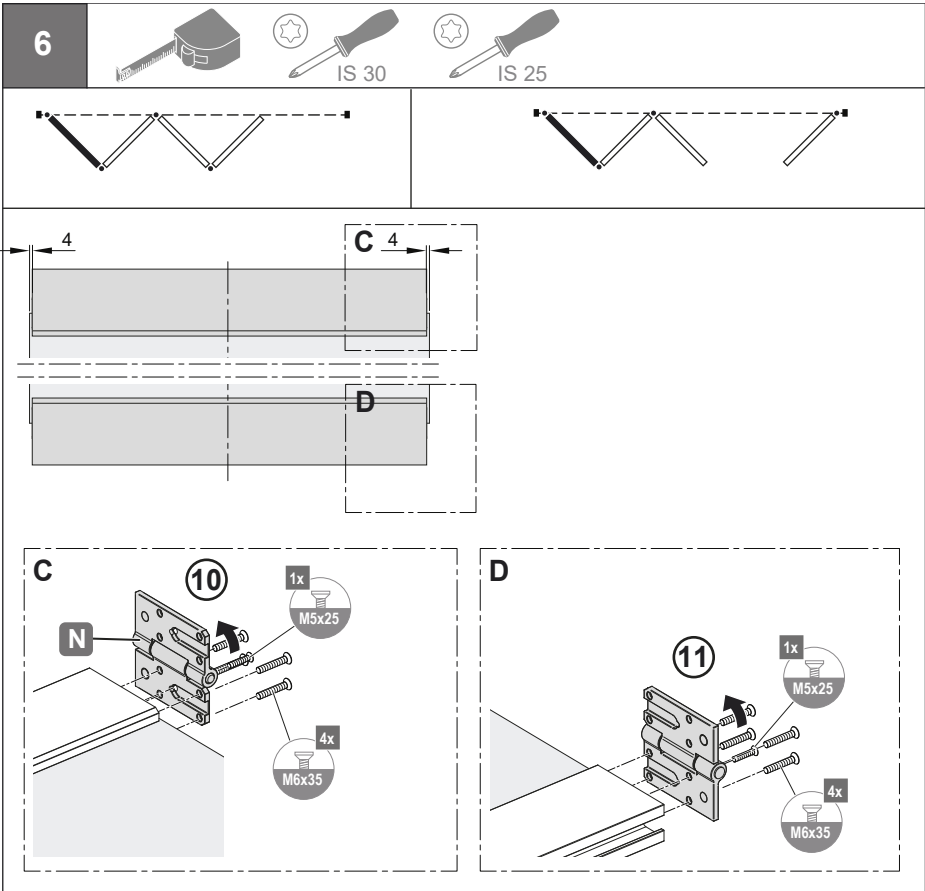


B



732.29.863

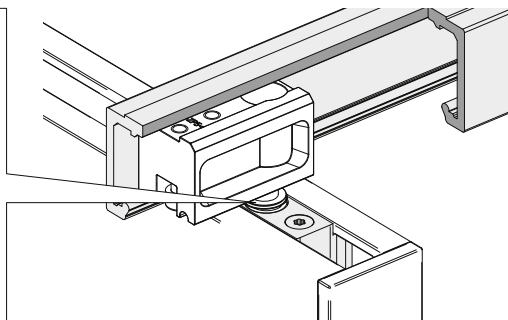
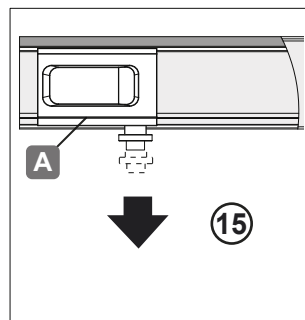
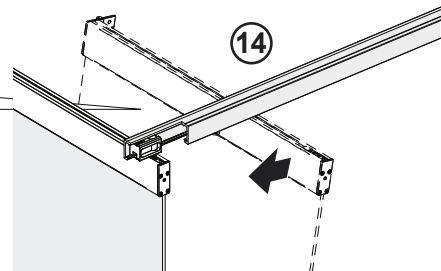
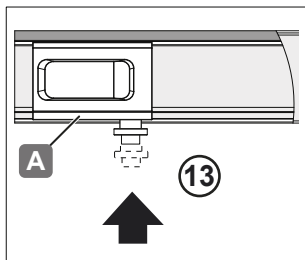
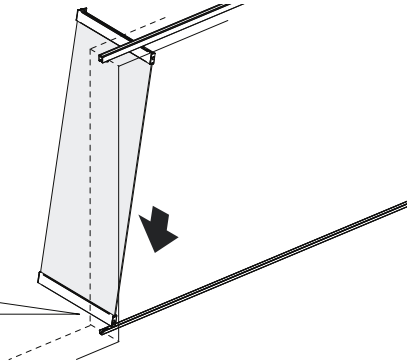
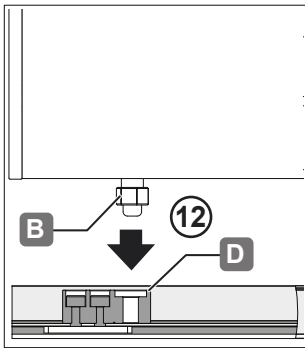
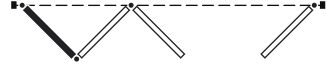
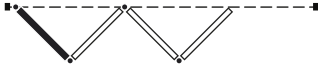
HDE 25.08.2022



732.29.863

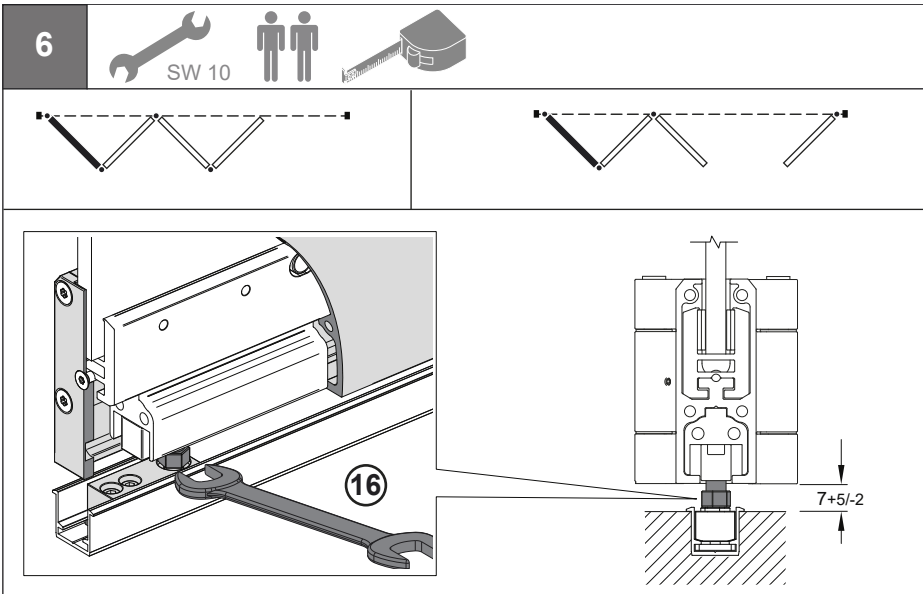
HDE 25.08.2022

6

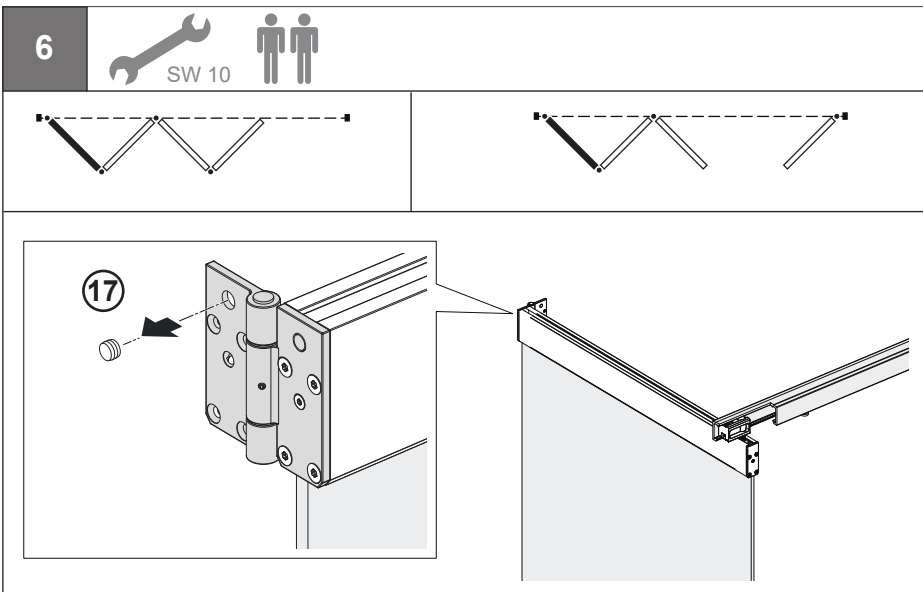


732.29.863

HDE 25.08.2022



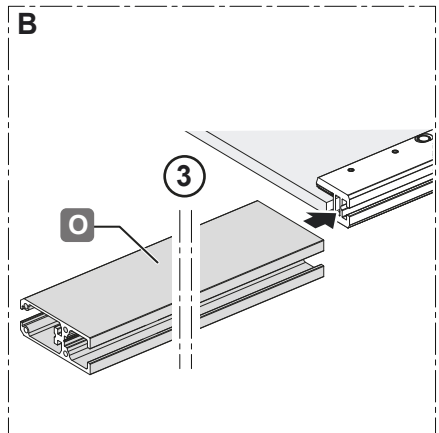
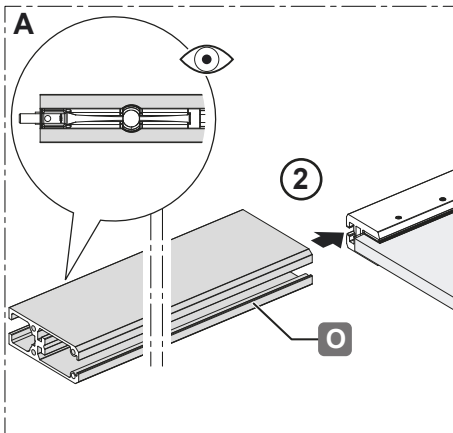
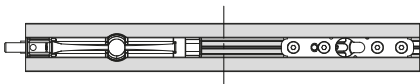
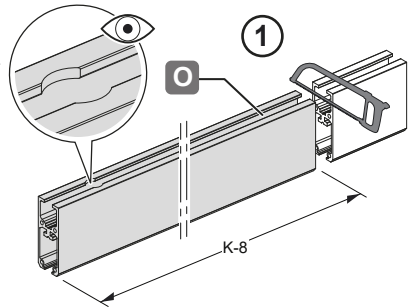
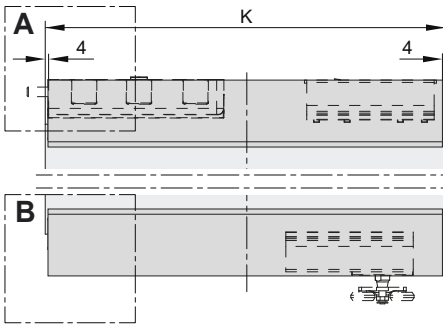
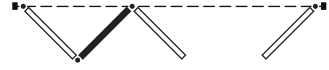
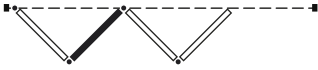
732.29.863



HDE 25.08.2022




7




732.29.863

HDE 25.08.2022

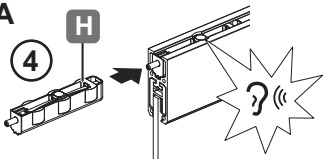
**7**



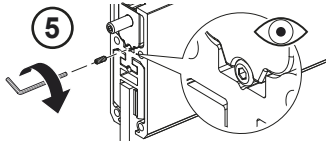
SW 4      SW 2,5



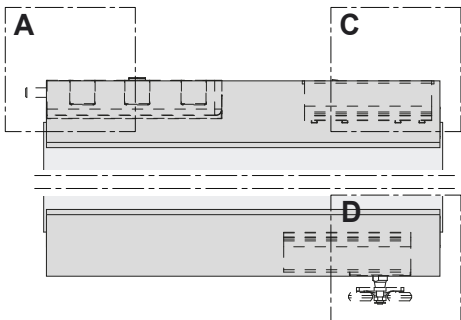
**A**



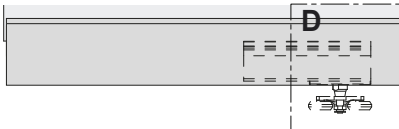
**H**



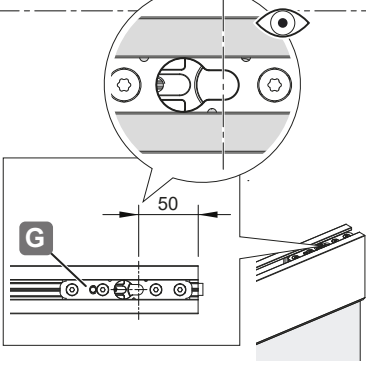
**A**      **C**



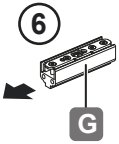
**D**



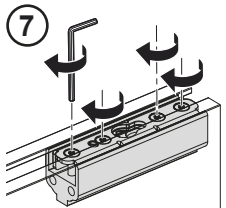
**C**



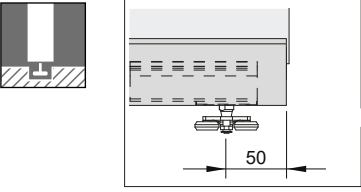
**G**



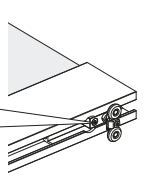
**7**



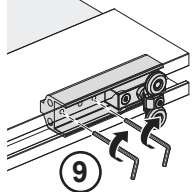
**D**



**F**



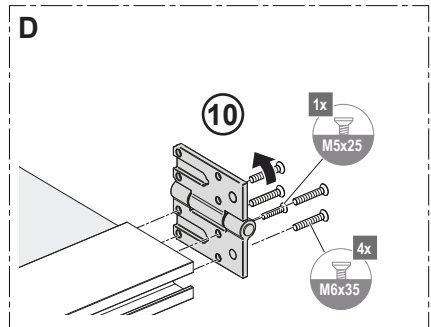
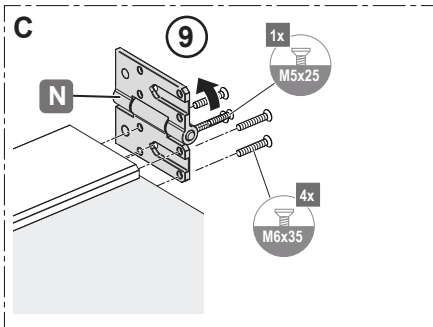
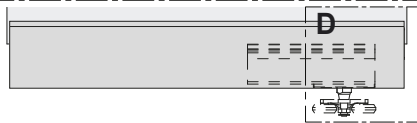
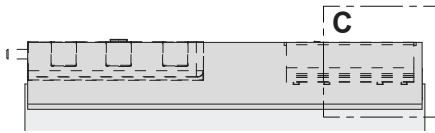
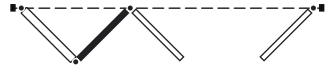
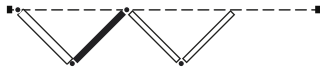
**9**



732.29.863

HDE 25.08.2022

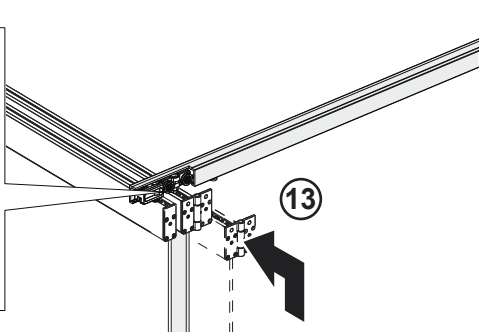
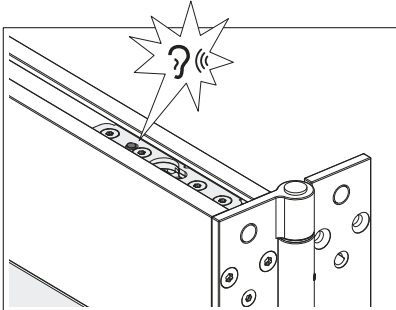
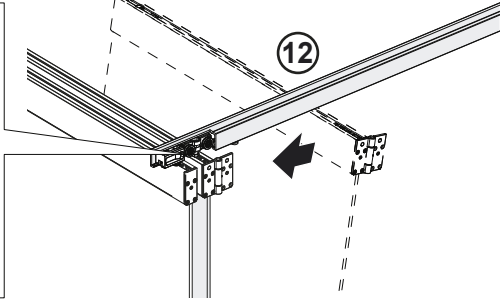
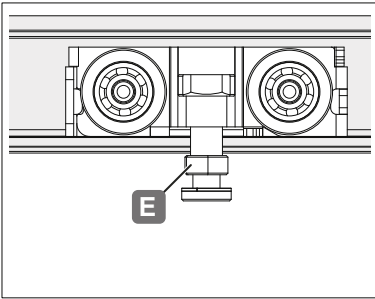
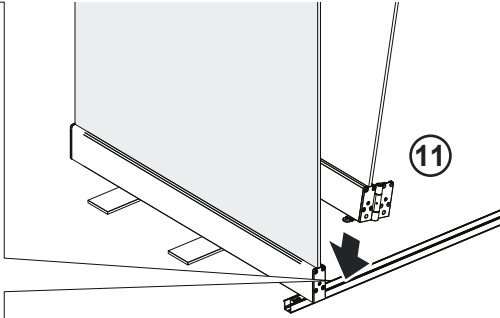
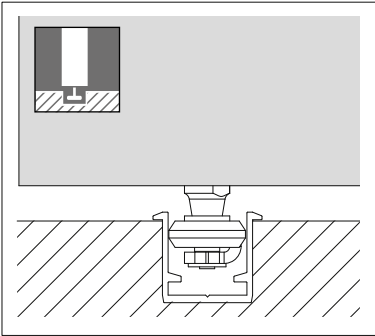
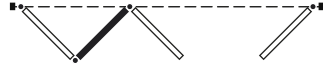
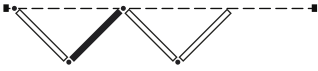
7



732.29.863

HDE 25.08.2022

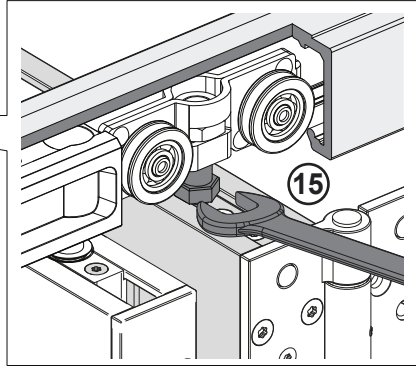
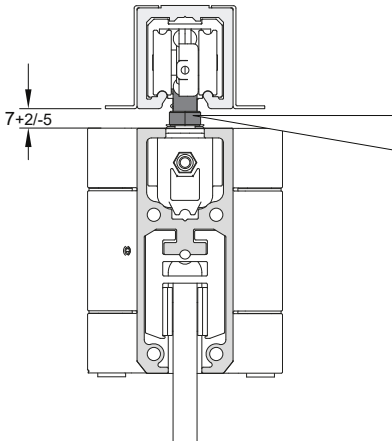
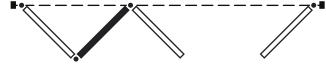
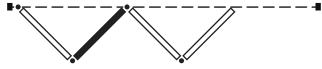
7



732.29.863

HDE 25.08.2022

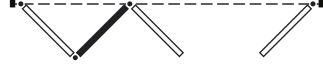
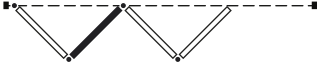
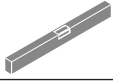
7



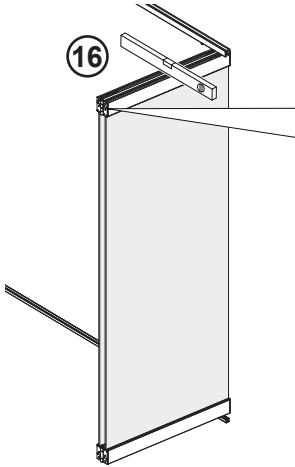
732.29.863

HDE 25.08.2022

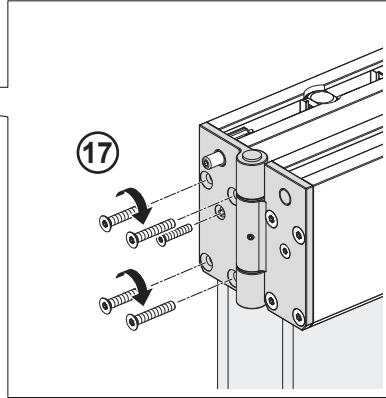
7



16



17



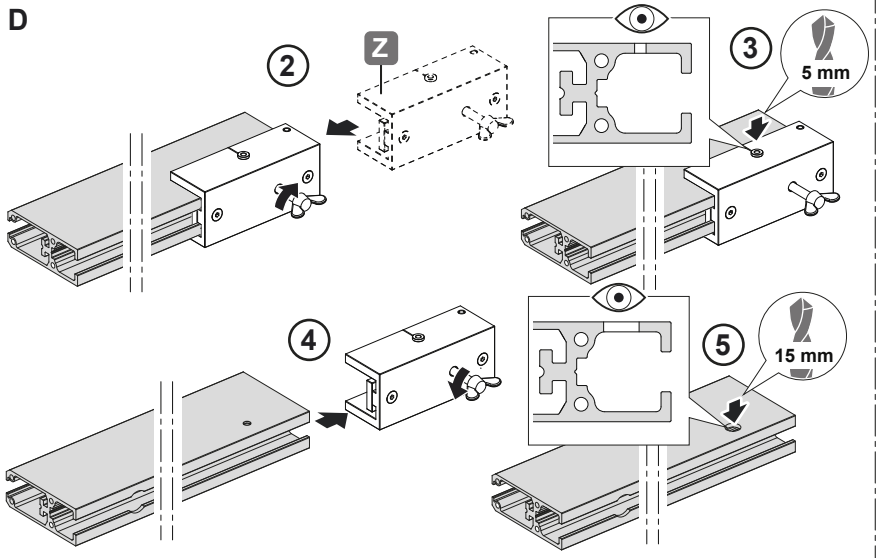
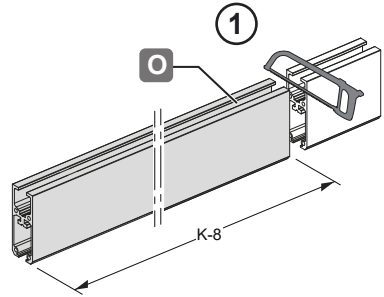
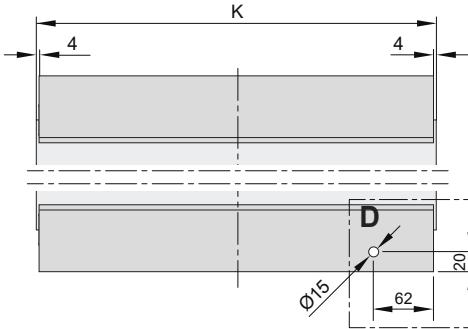
732.29.863

HDE 25.08.2022

8



943.55.403  
943.55.404



732.29.863

HDE 25.08.2022

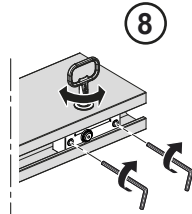
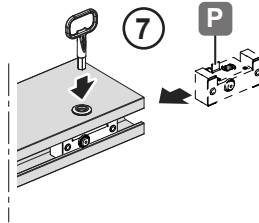
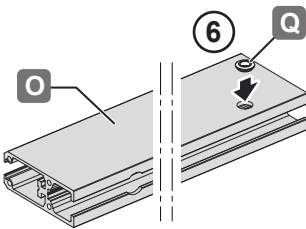
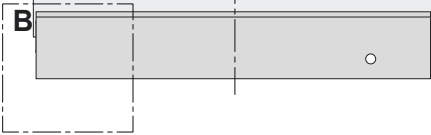
8



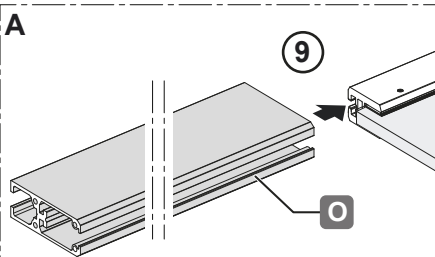
A



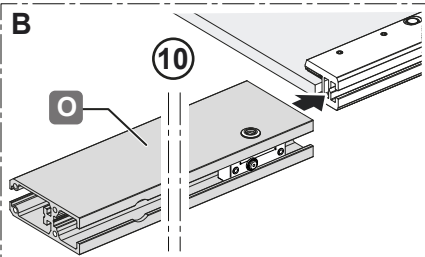
B



A



B



732.29.863

HDE 25.08.2022



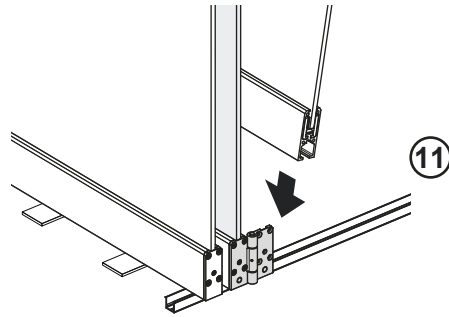
8



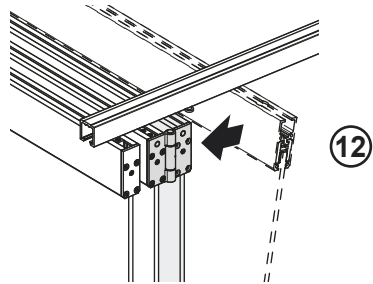
IS 30



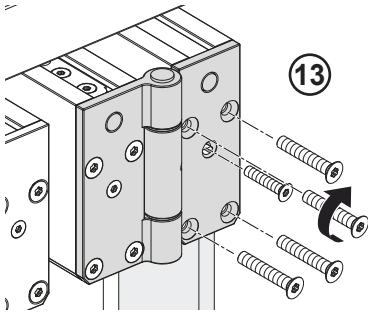
IS 25



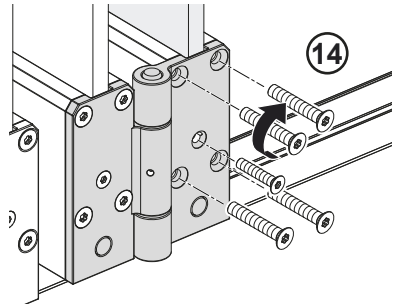
11



12



13



14

732.29.863

HDE 25.08.2022



**8**    943.55.403  
943.55.404



79

Ø 25

T

15

▶ 44/52  
▶ 45/52  
▶ 46/52

732.29.863

HDE 25.08.2022

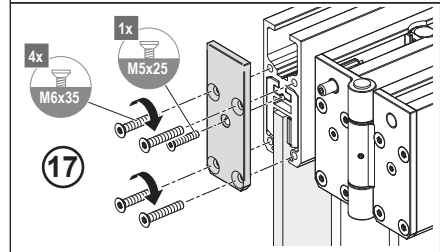
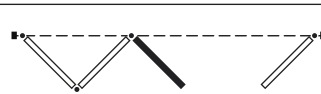
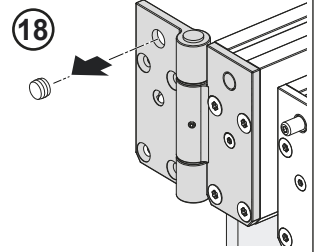
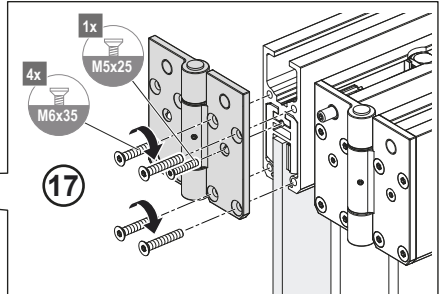
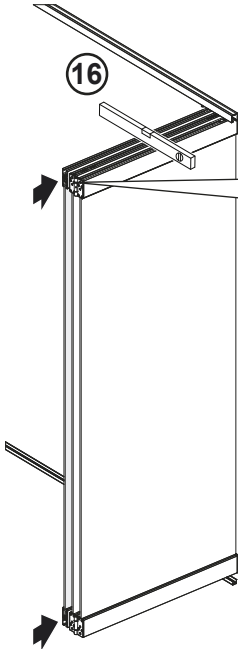
8



IS 30



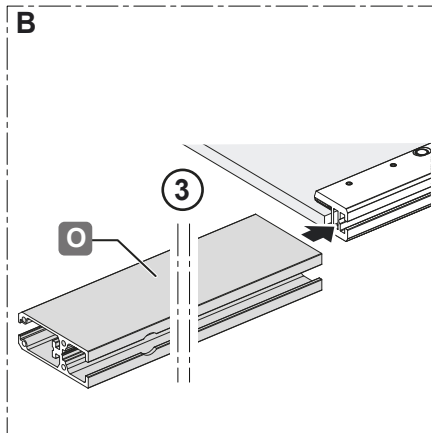
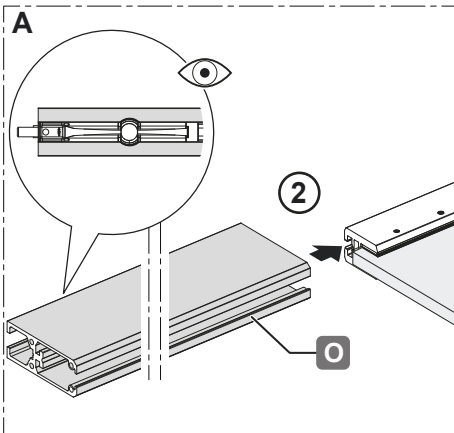
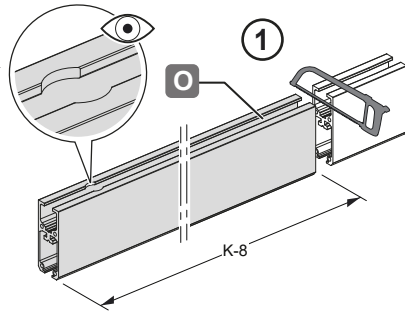
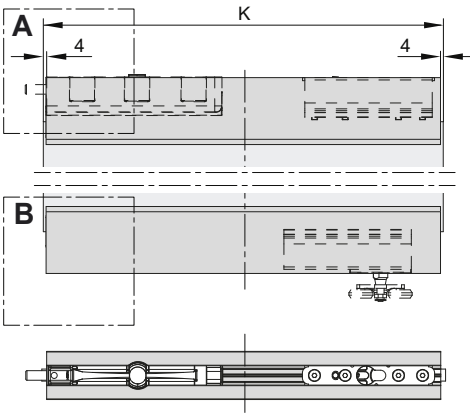
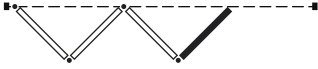
IS 25



732.29.863

HDE 25.08.2022

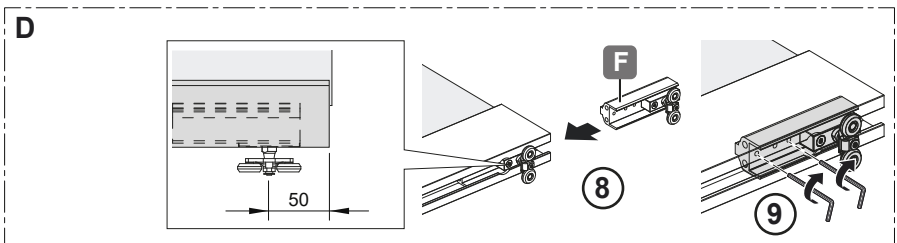
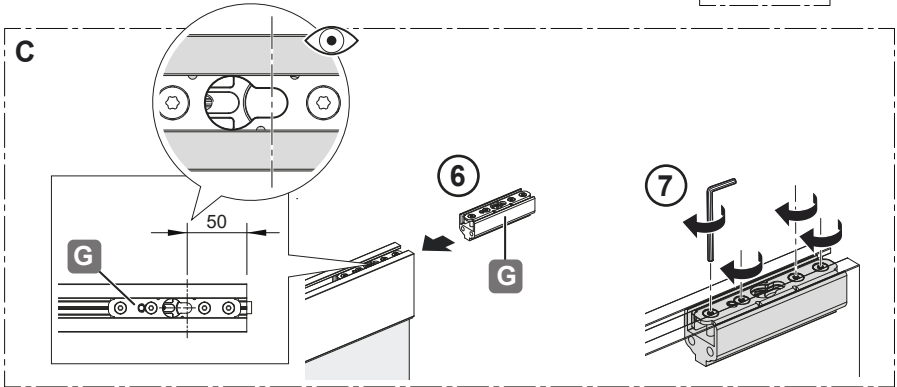
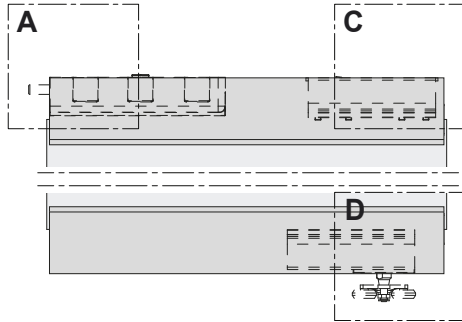
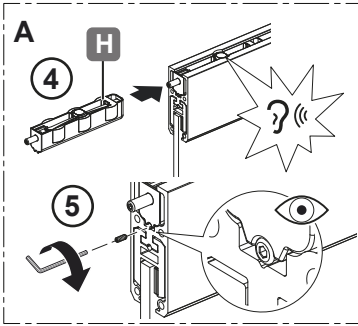
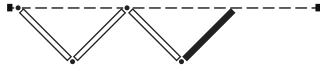
9



732.29.863

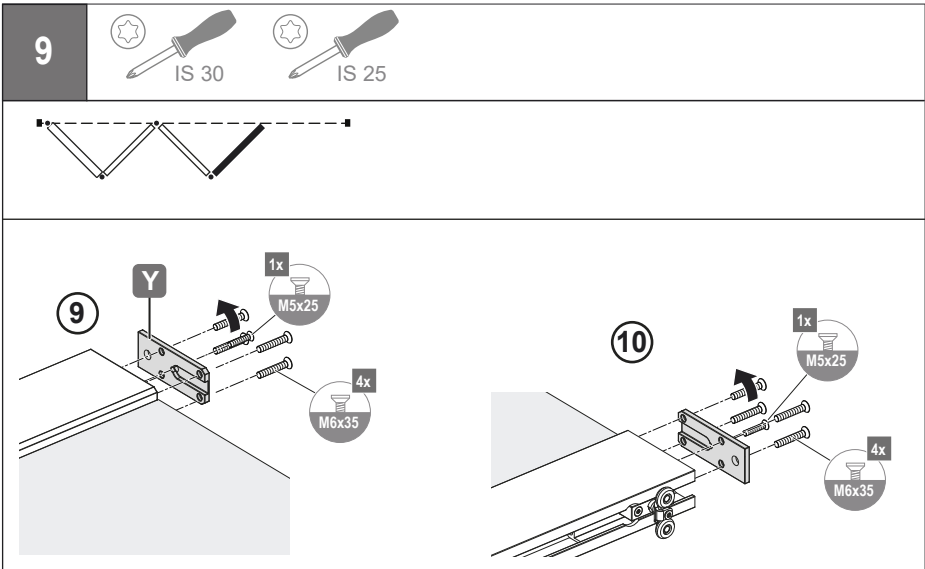
HDE 25.08.2022

9



732.29.863

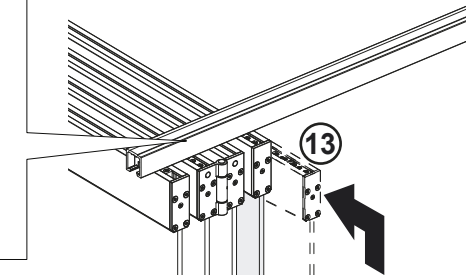
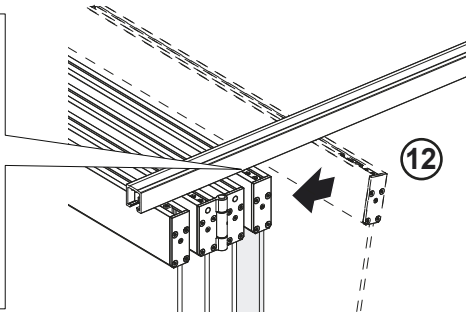
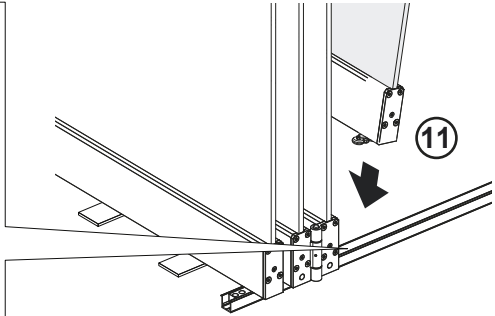
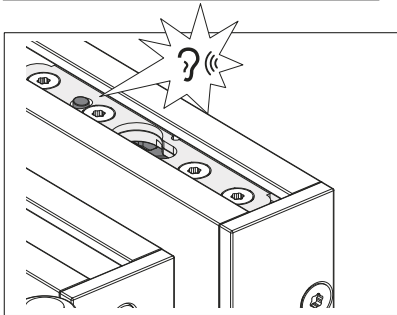
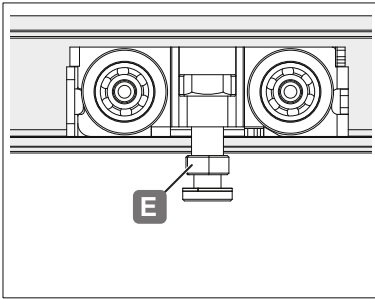
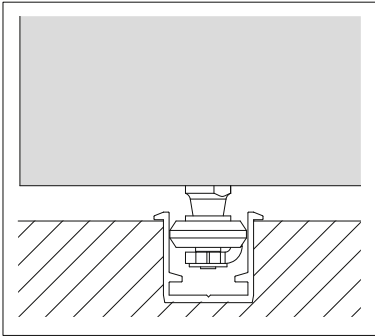
HDE 25.08.2022



732.29.863

HDE 25.08.2022

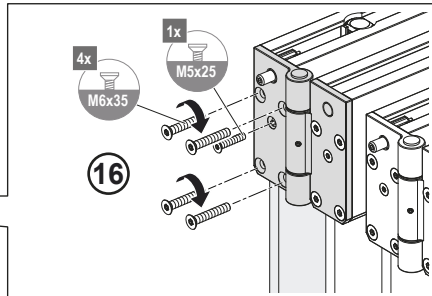
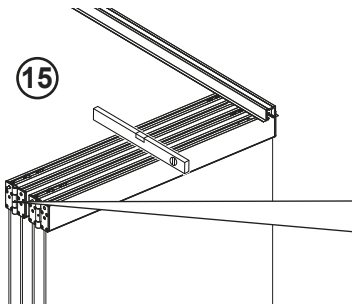
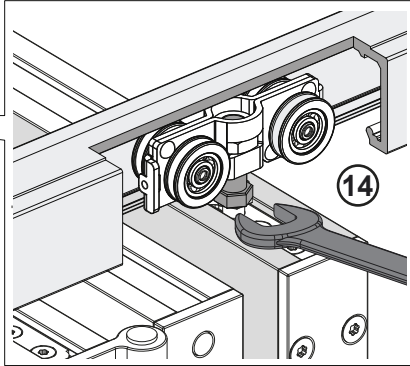
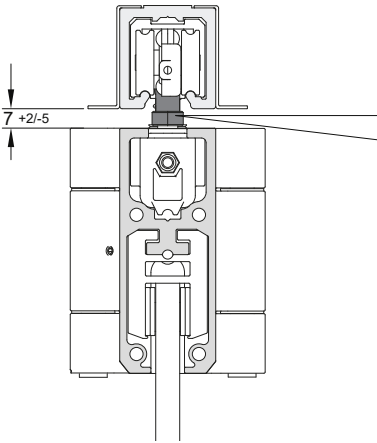
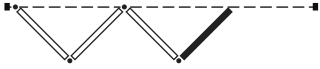
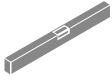
9



732.29.863

HDE 25.08.2022

9

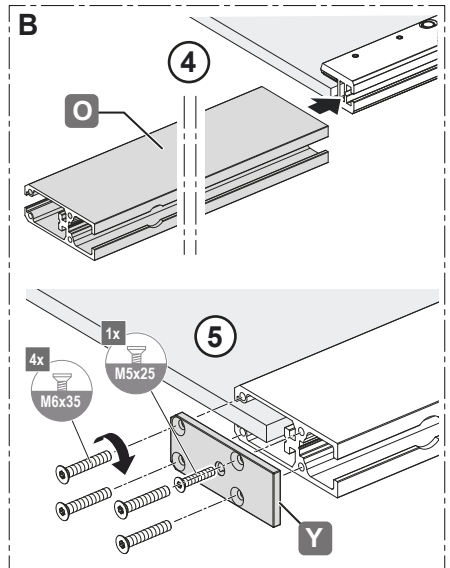
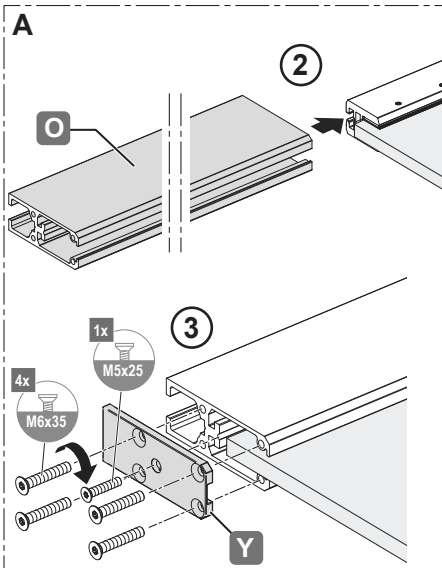
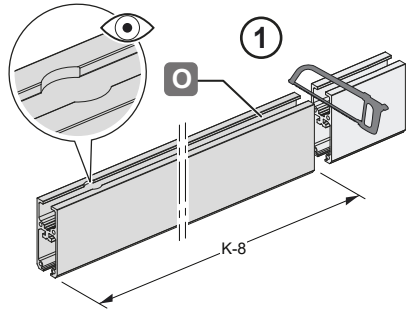
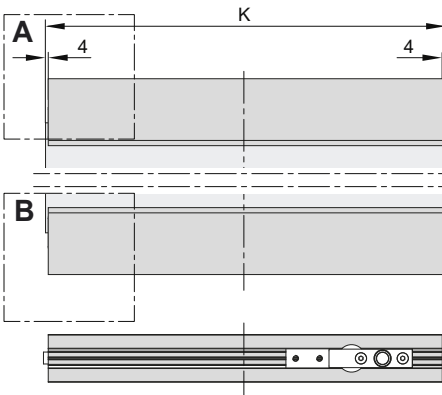
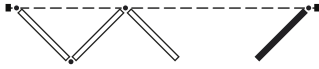


732.29.863

HDE 25.08.2022



10



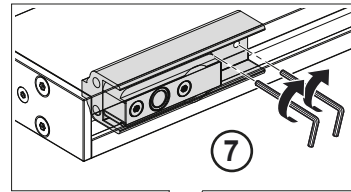
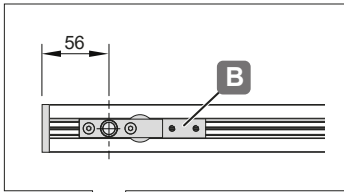
732.29.863

HDE 25.08.2022

10



A

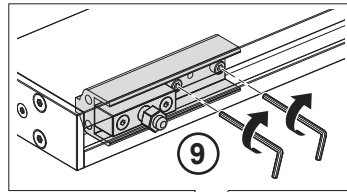
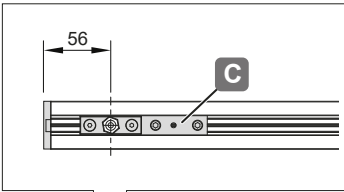


6



7

B



8

9

732.29.863

HDE 25.08.2022

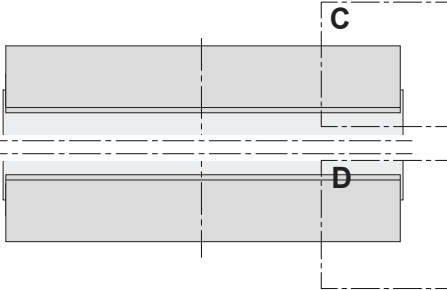
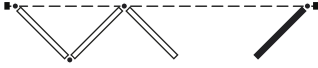
10



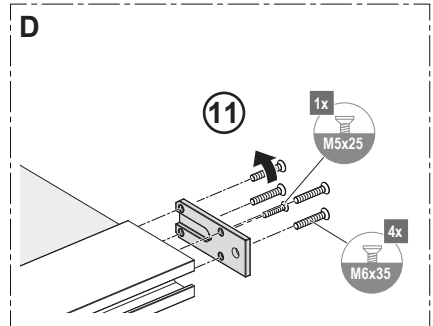
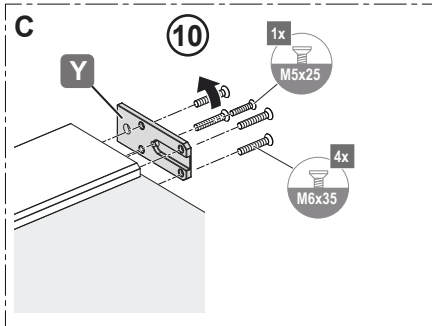
IS 30



IS 25

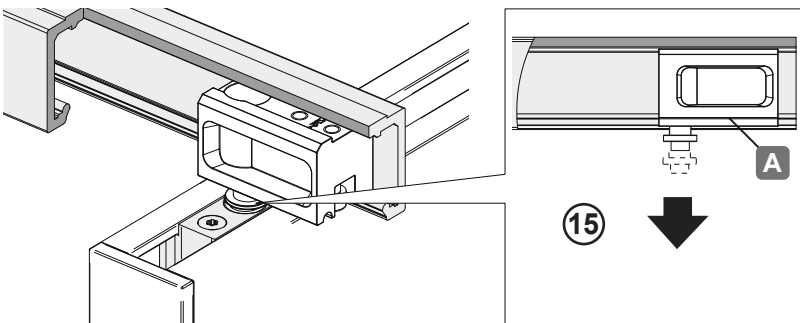
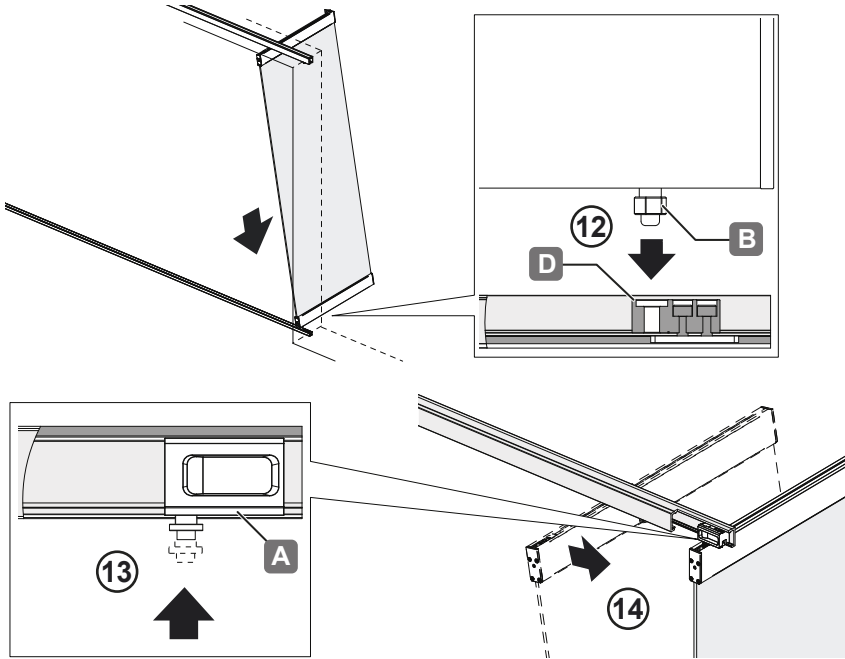
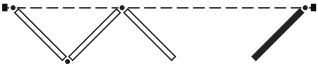


732.29.863



HDE 25.08.2022

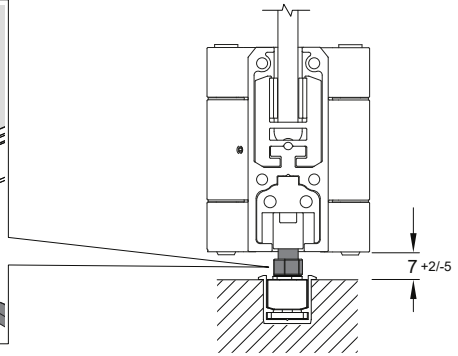
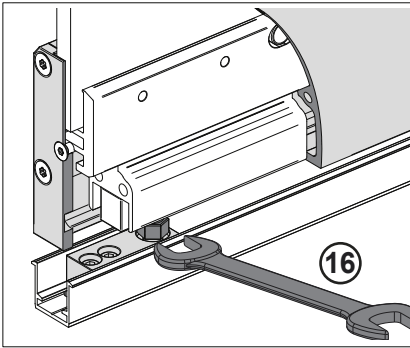
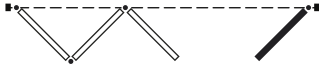
10



732.29.863

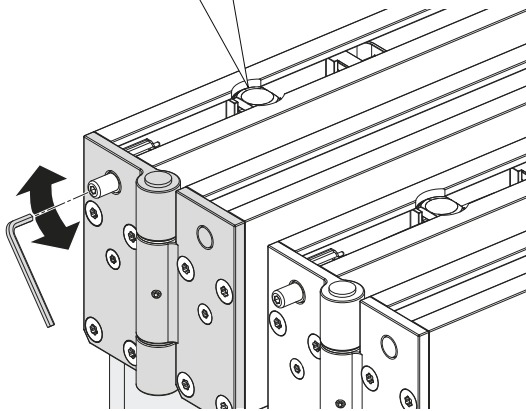
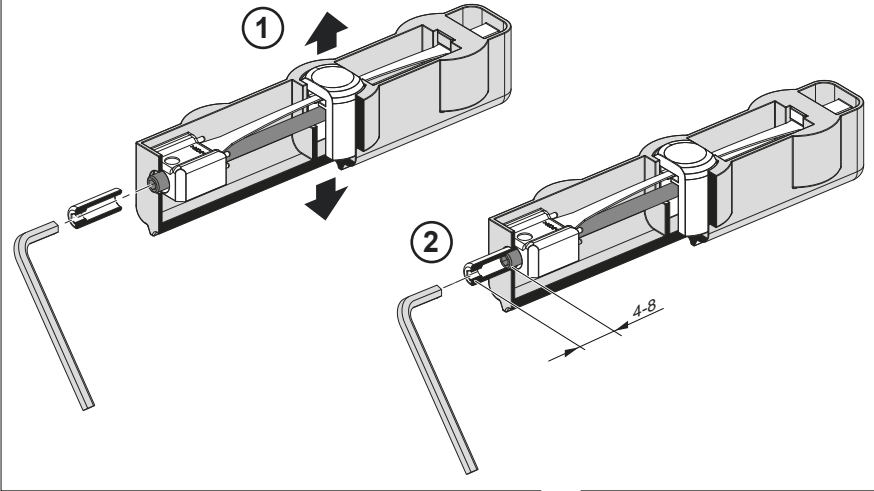
HDE 25.08.2022

10



732.29.863

HDE 25.08.2022



732.29.863

HDE 25.08.2022

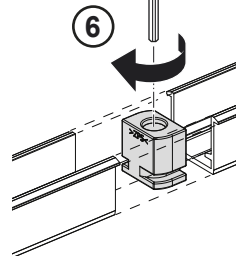
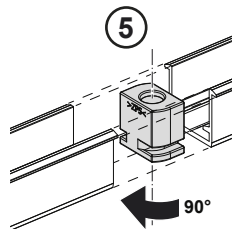
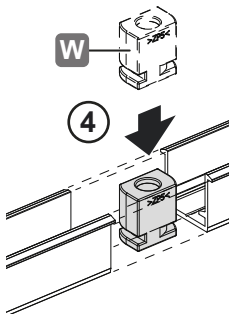
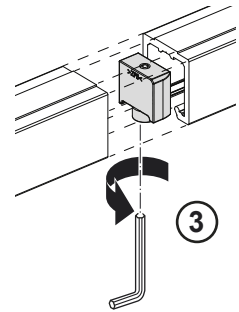
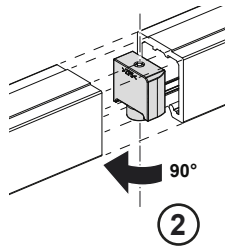
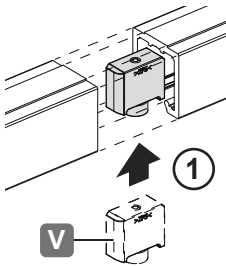
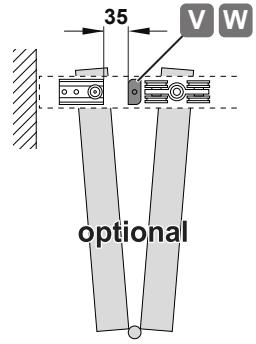
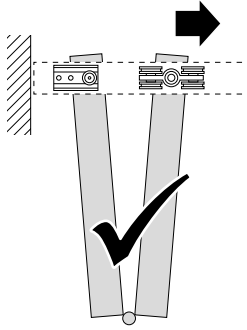
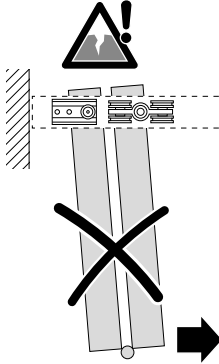
i



943.55.003



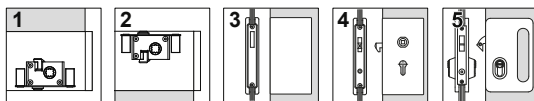
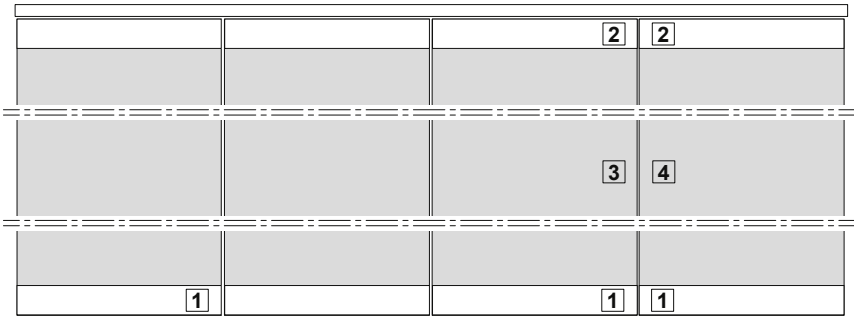
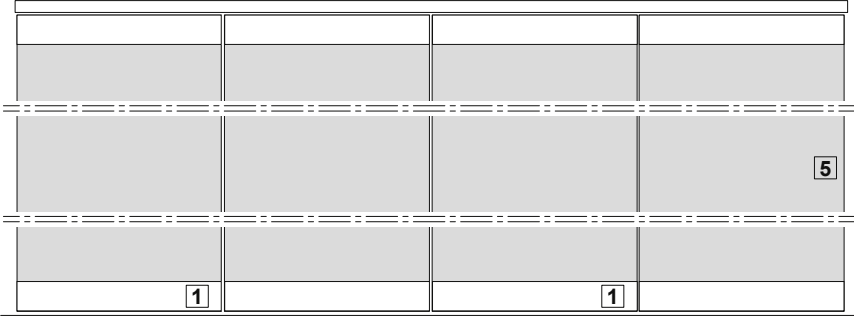
SW 3



732.29.863

HDE 25.08.2022

i



732.29.863

HDE 25.08.2022



i



943.55.403

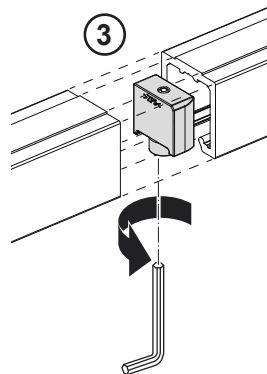
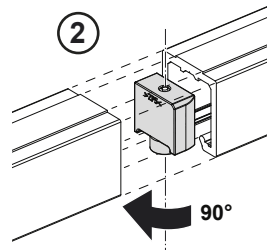
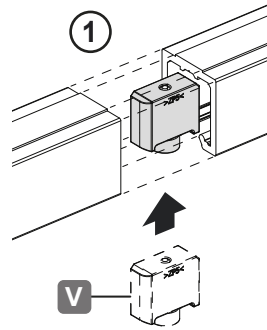
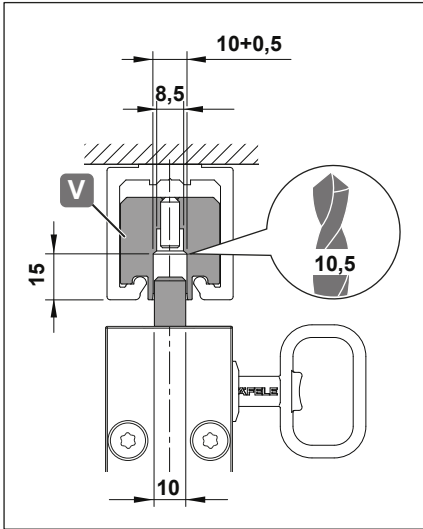


943.55.025

943.55.034



SW 3



732.29.863

HDE 25.08.2022

i



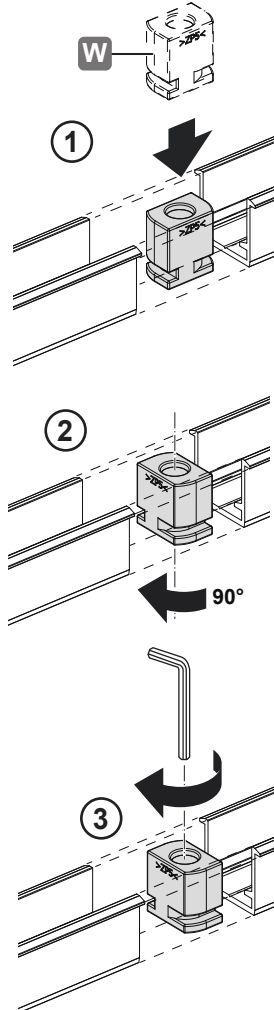
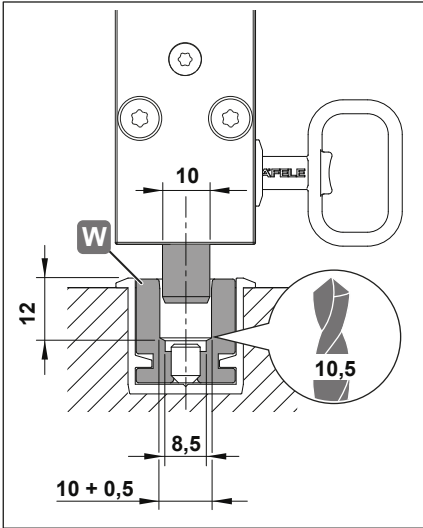
943.55.403



943.55.025  
943.55.034



SW 3

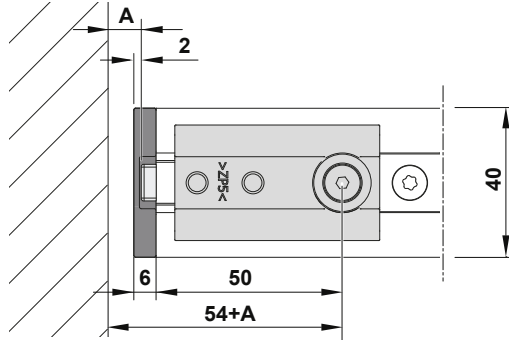


732.29.863

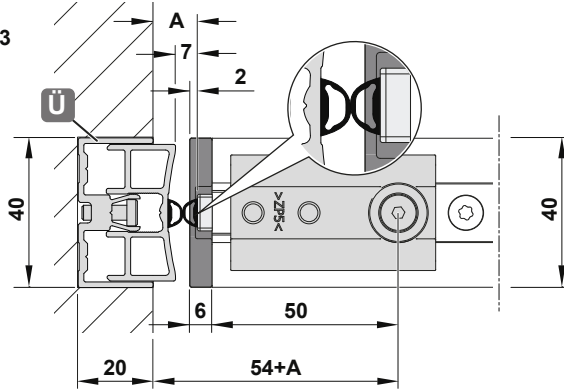
HDE 25.08.2022

i

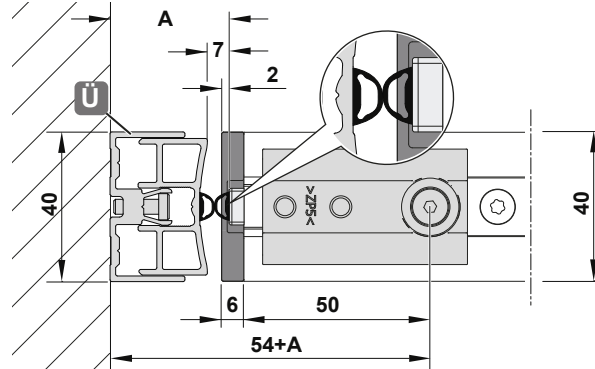
$A \geq 9$



$A = 7 - 13$

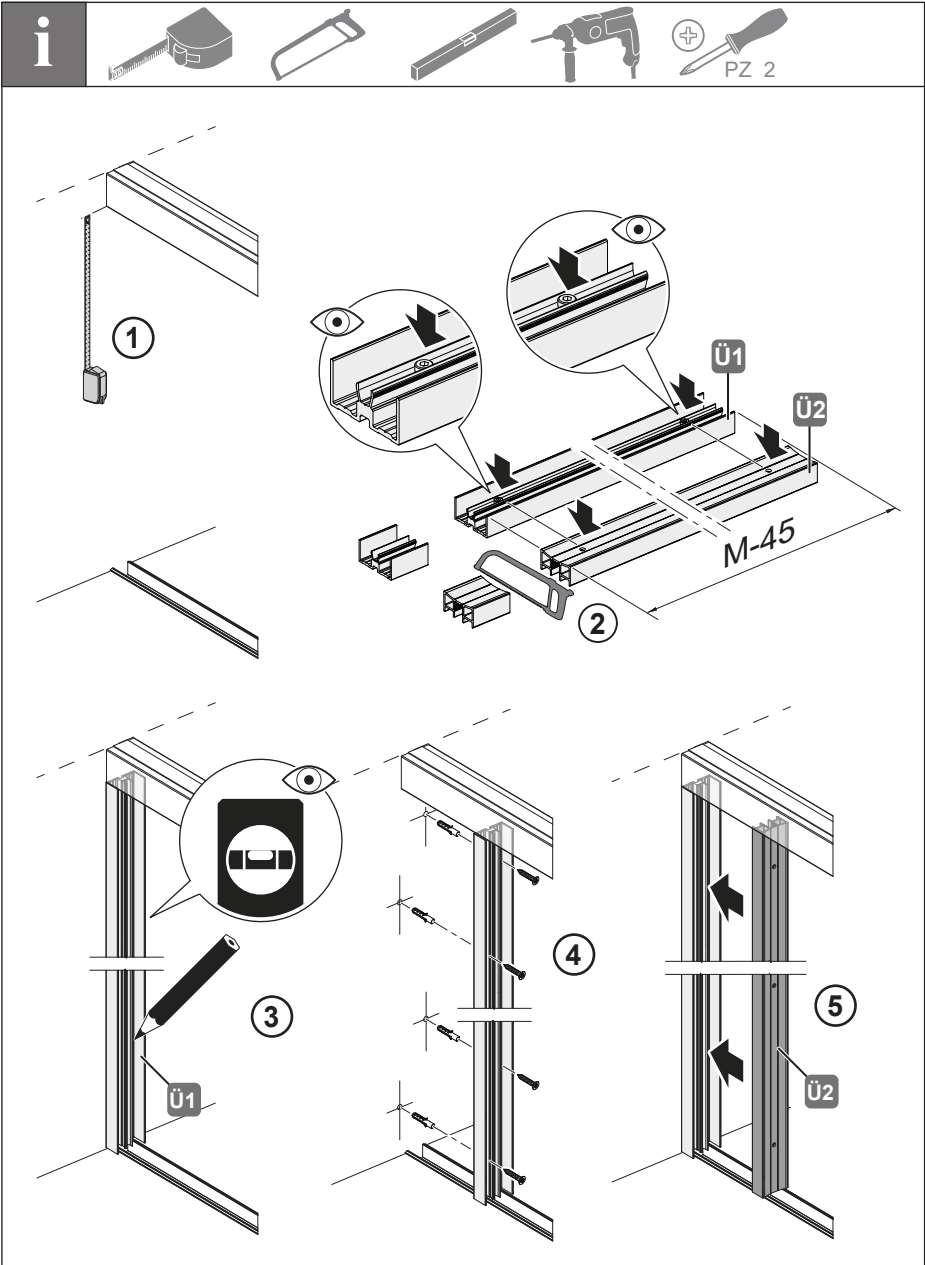


$A = 27 - 33$



732.29.863

HDE 25.08.2022



732.29.863

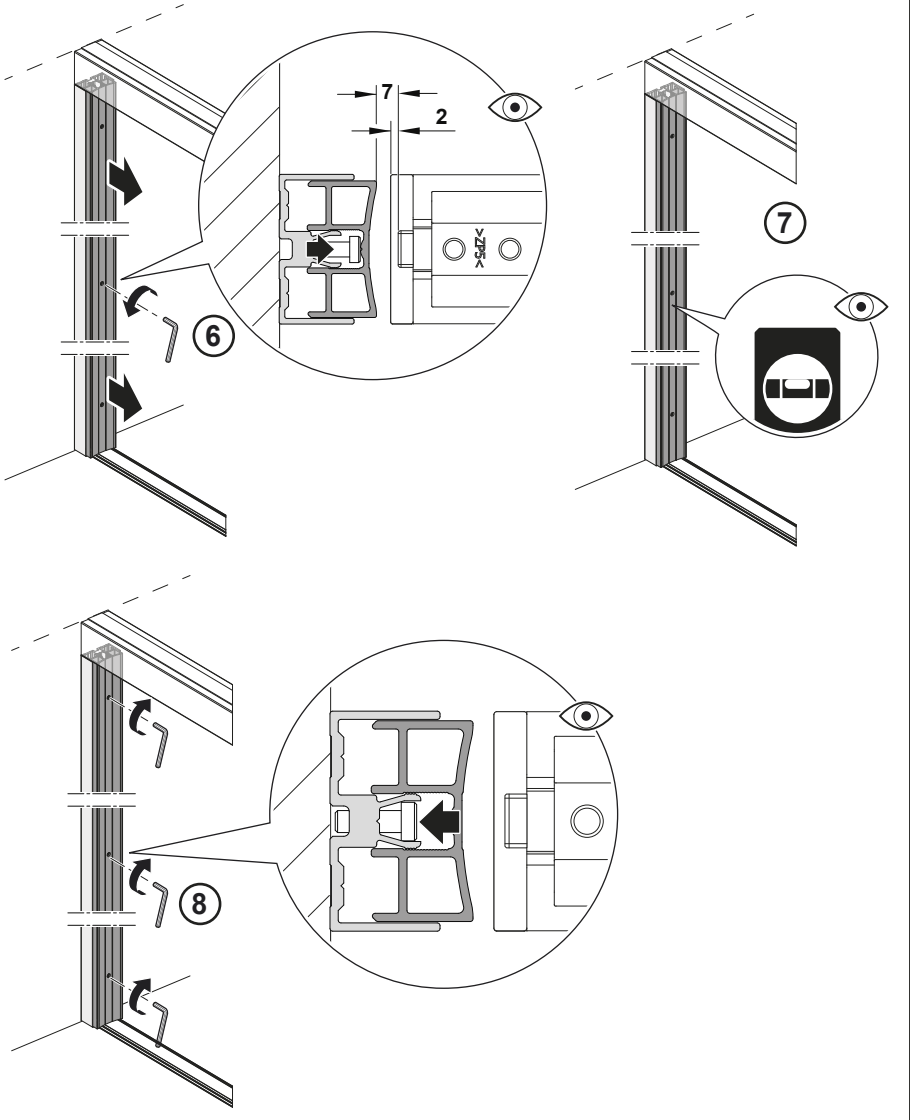
HDE 25.08.2022

i



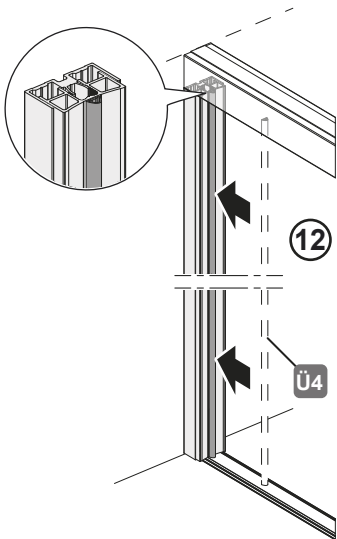
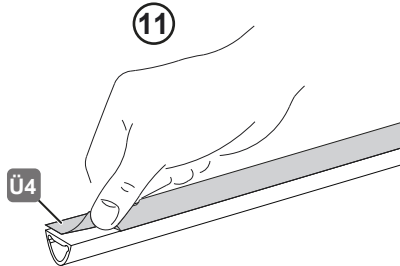
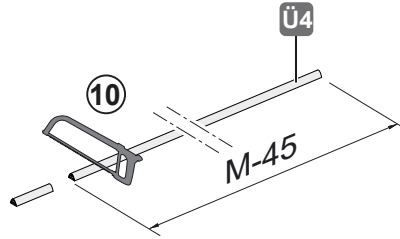
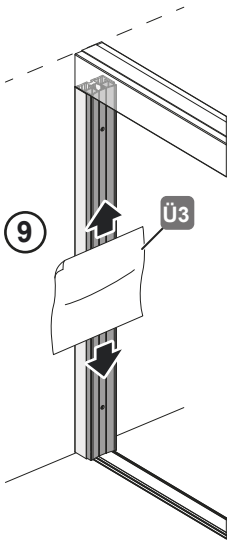
SW 3

732.29.863

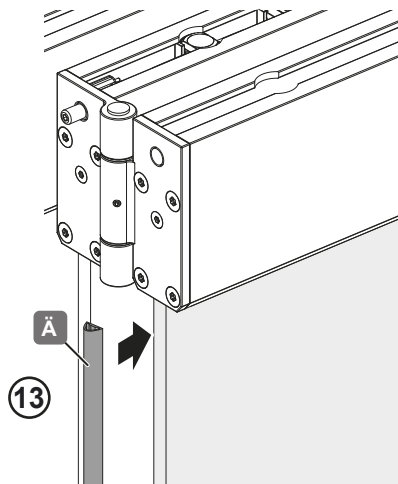


HDE 25.08.2022

i

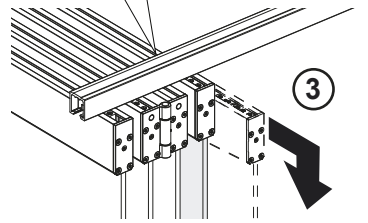
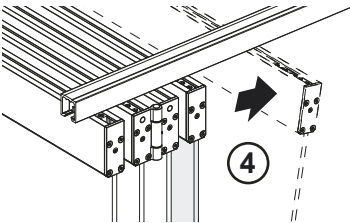
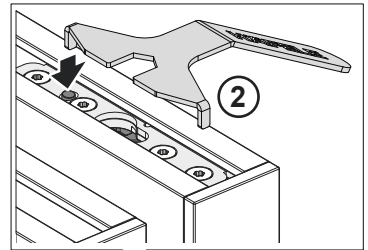
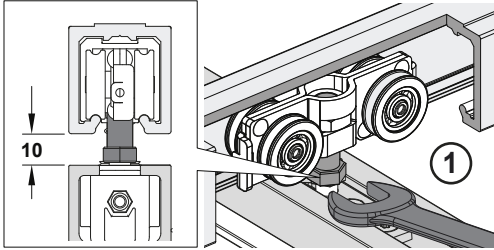


optional

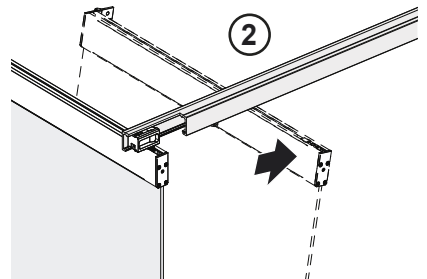
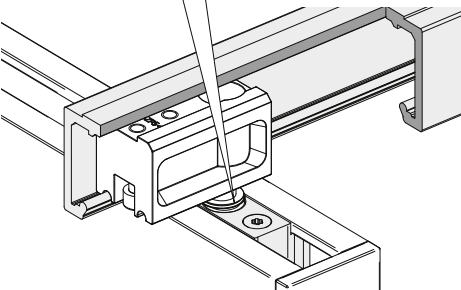
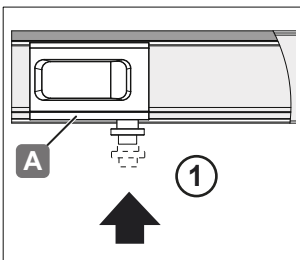


732.29.863

HDE 25.08.2022



732.29.863



HDE 25.08.2022

732.29.863

HDE 25.08.2022