

Connect Mesh 4-way Distributor

850.00.910	850.00.958
850.00.920	850.00.959
850.00.957	850.00.960

		V	W	T _A	F	
850.00.910	monochrome	12V	0–36W	-25°C – +45°C -13°F – +113°F	 2.4 GHz 0.6 dBi	105 x 50 x 16 mm 4.13 x 1.97 x 0.63 in
850.00.920	monochrome	24V	0–72W			
850.00.957	MW	12V	0–36W			
850.00.958	MW	24V	0–72W			
850.00.959	RGB	12V	0–36W			
850.00.960	RGB	24V	0–72W			

732.28.457

i

1

App
Häfele Connect Mesh

Android

iOS

2

A

2x B

C

+

D

x

x	12V	24V
500	833.95.712	833.95.719
1000	833.95.713	833.95.718
2000	833.95.714	833.95.717

„mm“

1

> 10 mm*
> 10 mm*
> 10 mm*

* acc. to AS/NZS standards.

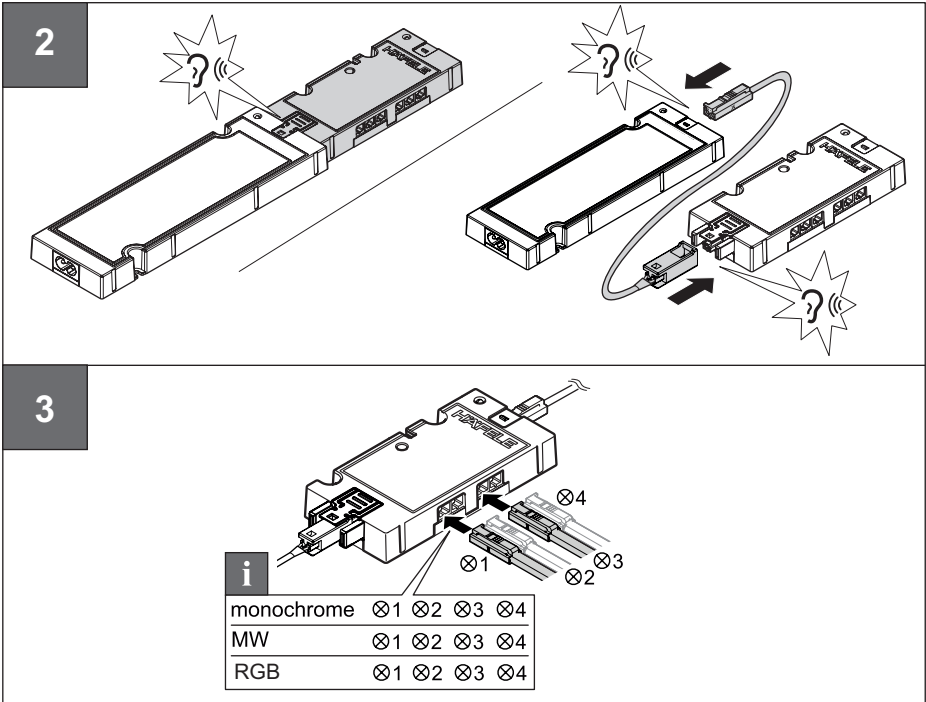
A

2x B

C

HDE 12.12.2023

	12V System	24V System
	⊗ ₁ ; ⊗ ₂ ; ... ; ⊗ _n ≤ 36 W	⊗ ₁ ; ⊗ ₂ ; ... ; ⊗ _n ≤ 72 W
	⊗ ₁ + ⊗ ₂ + ... + ⊗ _n ≤ 36 W	⊗ ₁ + ⊗ ₂ + ... + ⊗ _n ≤ 72 W
	⊞ + ⊞ + ... + ⊞ ≤ 60 W	⊞ + ⊞ + ... + ⊞ ≤ 120 W



732.28.457

FCC
 "Changes or modifications not expressly approved by the manufacturer could void the user's authority to operate the equipment".

"This device complies with Part 15 of the FCC rules. Operation is subject to the following two conditions: (1) This device may not cause harmful interference, and (2) this device must accept any interference received, including interference that may cause undesired operation."

IC
 "This device complies with Industry Canada licence-exempt RSS standard(s). Operation is subject to the following two conditions: (1) This device may not interference, and (2) this device must accept any interference, including interference that may cause undesired operation of the device."

"Le présent appareil est conforme aux CNR d'Industrie Canada applicables aux appareils radio exempts de licence. L'exploitation est autorisée aux deux conditions suivantes : (1) l'appareil ne doit pas produire de brouillage, et (2) l'utilisateur de l'appareil doit accepter tout brouillage radioélectrique subi, même si le brouillage est susceptible de en compromettre le fonctionnement."

DE
 Verwenden Sie zum Betreiben der Verteiler nur nach EN 61347-1 sicherheitsgeprüfte Konstantspannungsnetzteile, die eine Sicherheitskleinspannung (SELV) von Uout = 12 bzw. 24 V (siehe Typenschild der Verteiler) bereitstellen.

Hiermit erklärt die HÄFELE SE & Co KG, dass der Funkanlagentyp Connect Mesh 4-fach Verteiler der Richtlinie 2014/53/EU entspricht. Der vollständige Text der EU Konformitätserklärung ist unter der folgenden Internetadresse verfügbar: <https://www.haefele.de/de/DOC>

EN
 To operate the distributors, use only constant voltage power supplies that have been safety-tested in accordance with EN 61347-1 and that provide a safety extra-low voltage (SELV) of Uout = 12 or 24 V (see distributor label).

Hereby, HÄFELE SE & Co KG declares that the radio equipment type Connect Mesh 4-way distributor is in compliance with Directive 2014/53/EU. The full text of the EU declaration of conformity is available at the following internet address: <https://www.haefele.de/en/DOC>

HDE.12.12.2023