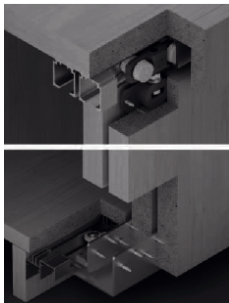




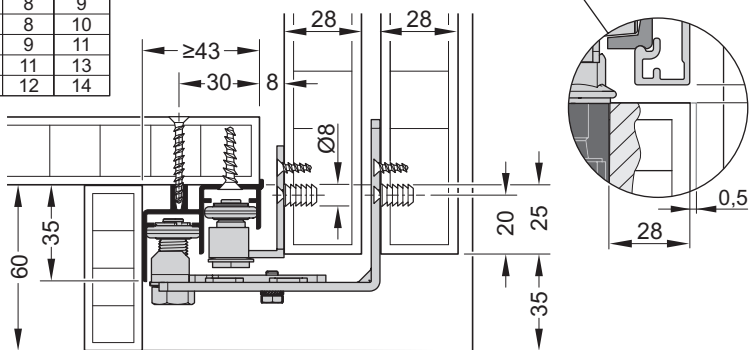
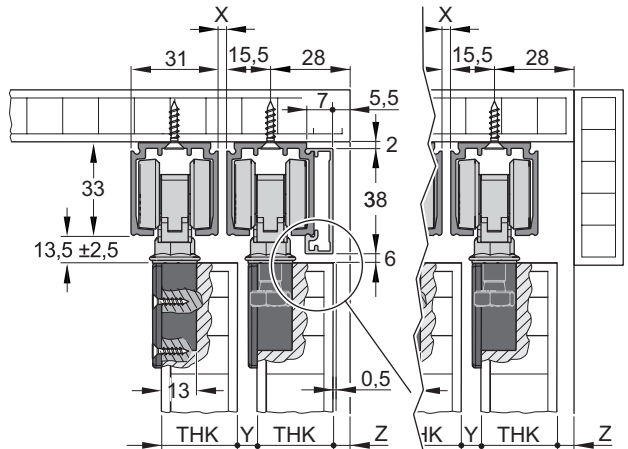
Slido F-Line16 80B

407.40.008	407.40.013
407.40.009	407.40.014
407.40.011	407.40.015
407.40.012	407.40.016

732.24.047



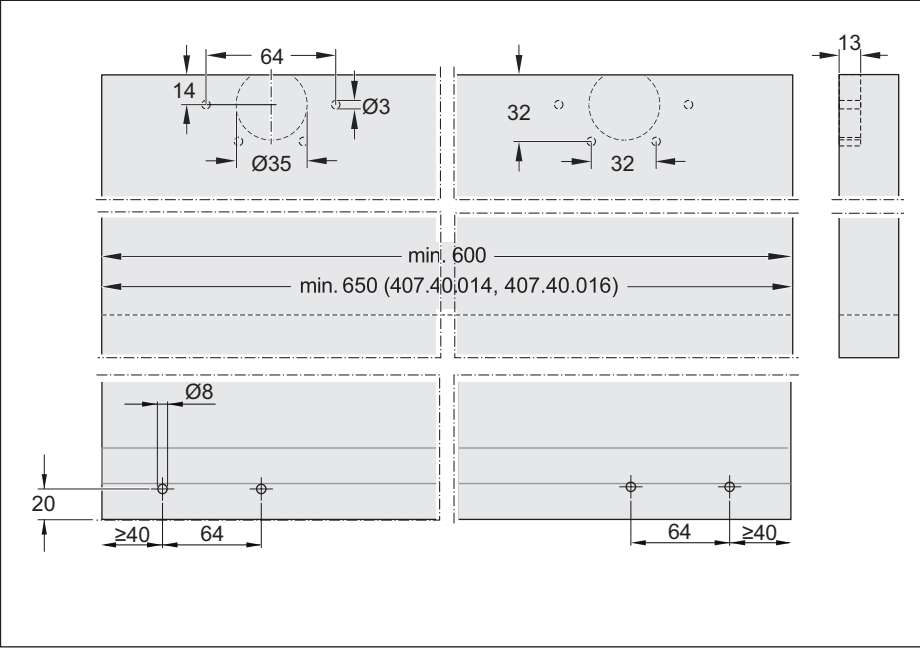
THK	X	Y	Z
33	10	8	0
30	7	8	3
28	5	8	5
27	4	8	6
25	2	8	8
24	1	8	9
23	0	8	10
22	0	9	11
20	0	11	13
19	0	12	14



HDE 09.03.2022

i

„mm“



732.24.047

+

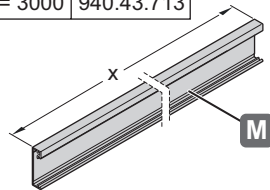
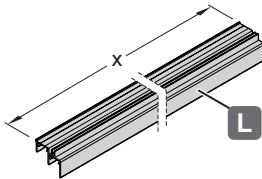
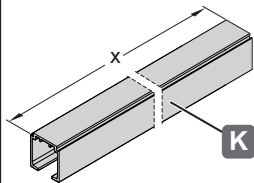


„mm“

x = 2000	940.43.922
x = 3000	940.43.932

x = 2000	406.83.902
x = 3000	406.83.903

x = 2000	940.43.711
x = 3000	940.43.713





407.40.008

407.40.013



407.40.012

407.40.015

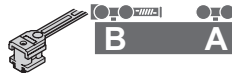


407.40.009



732.24.047

407.40.011



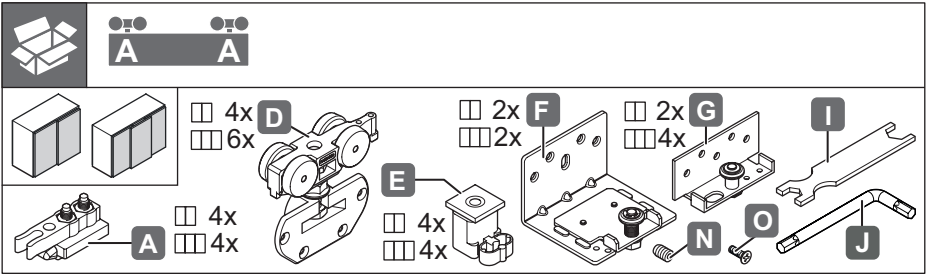
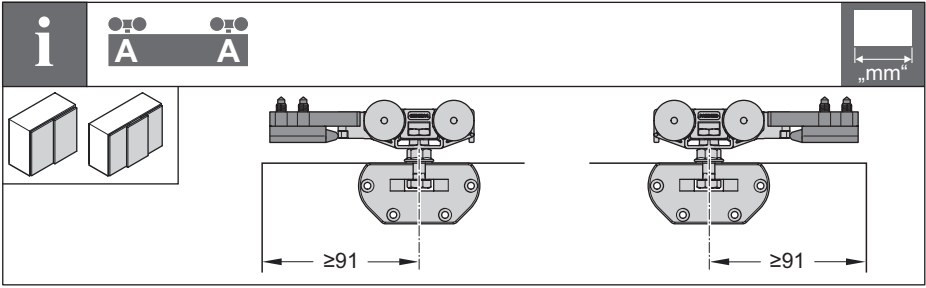
407.40.014



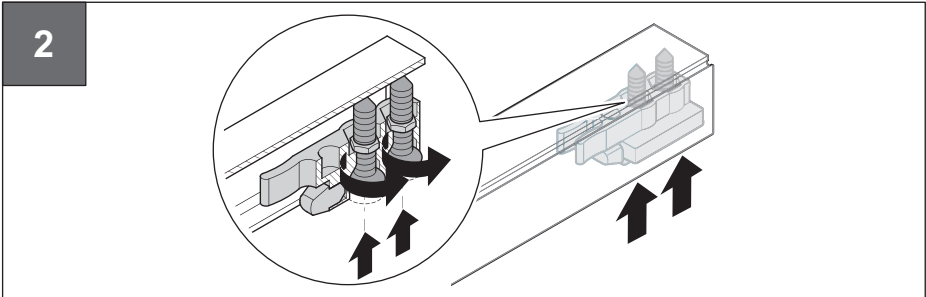
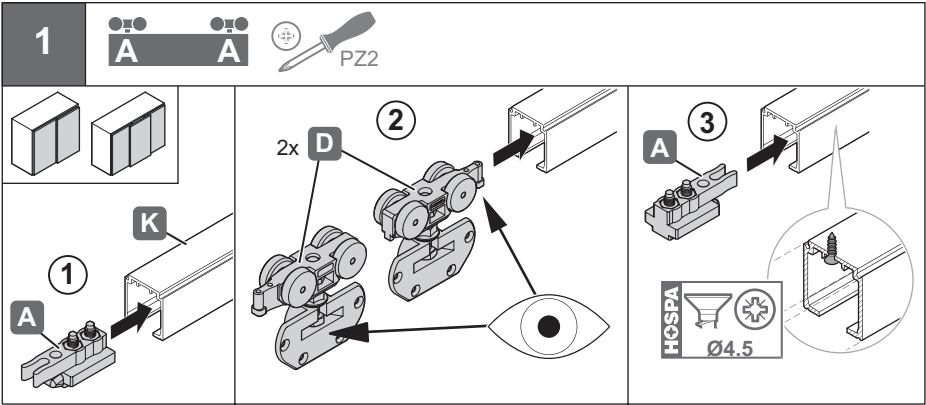
407.40.016



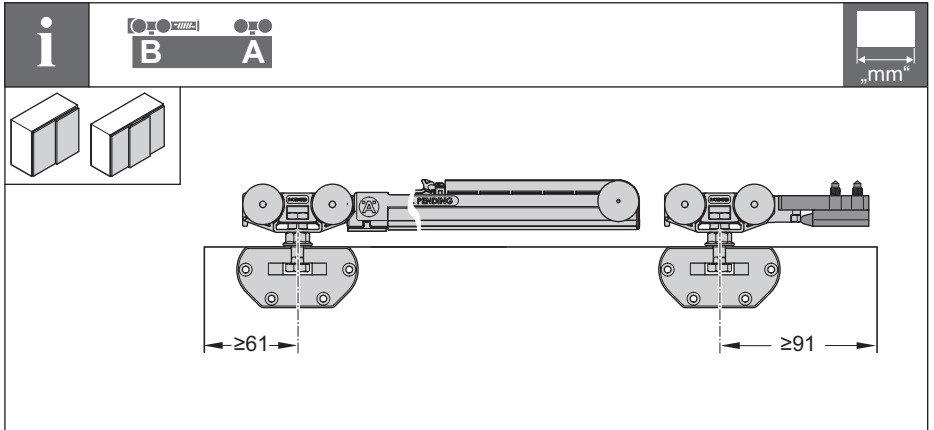
HDE 09.03.2022



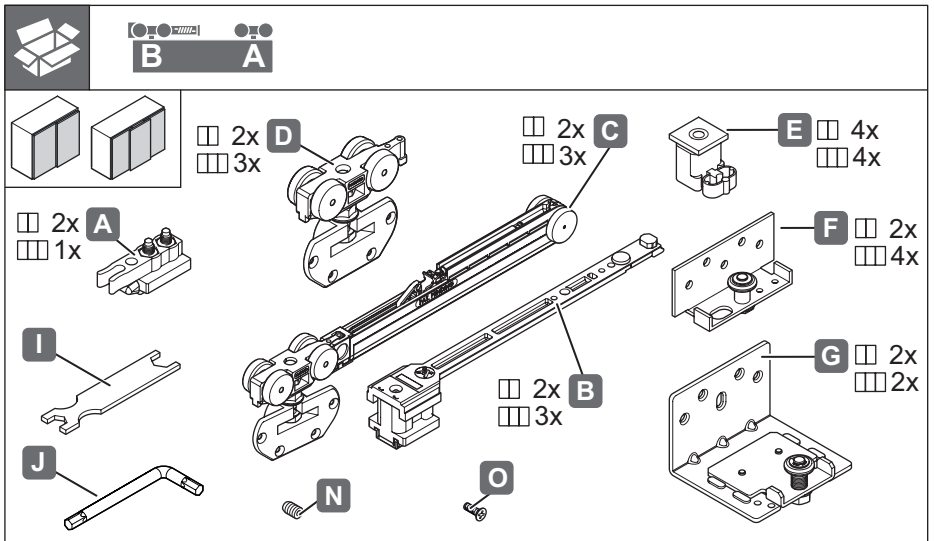
732.24.047



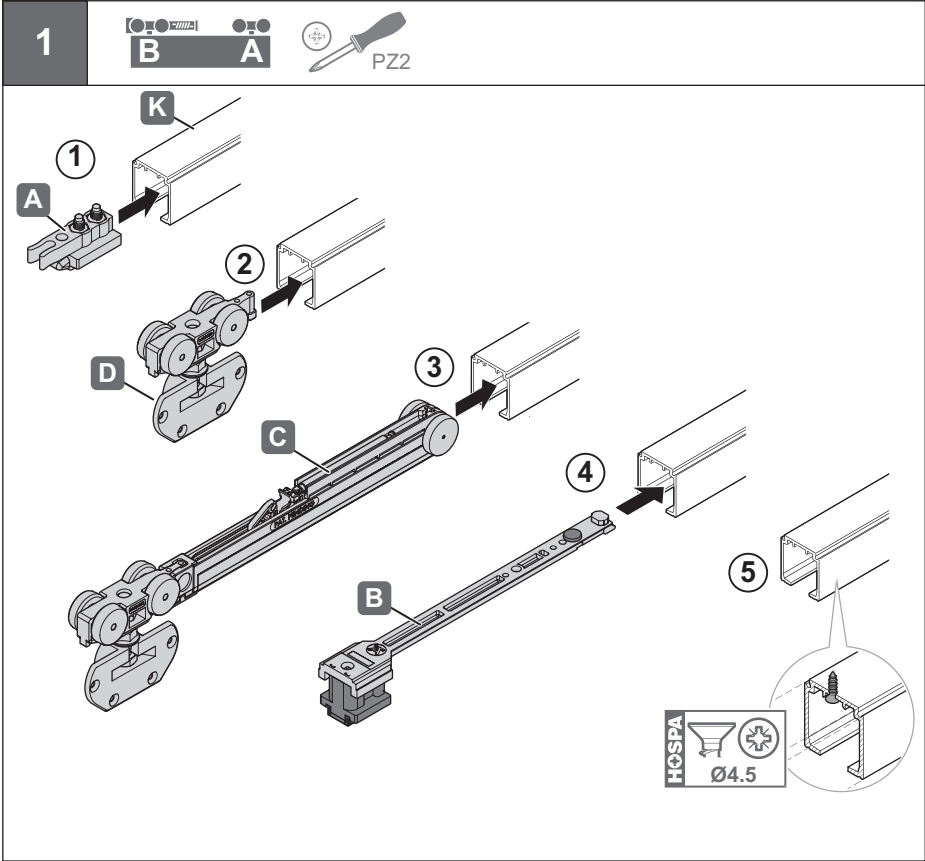
HDE 09.03.2022



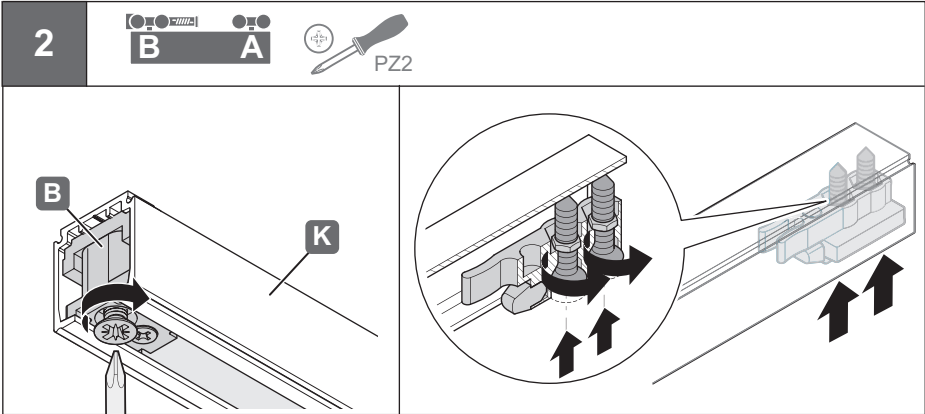
732.24.047



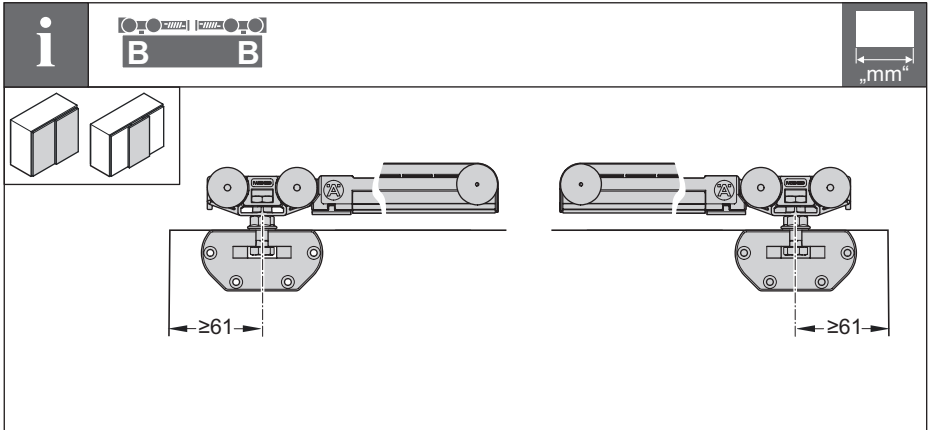
HDE 09.03.2022



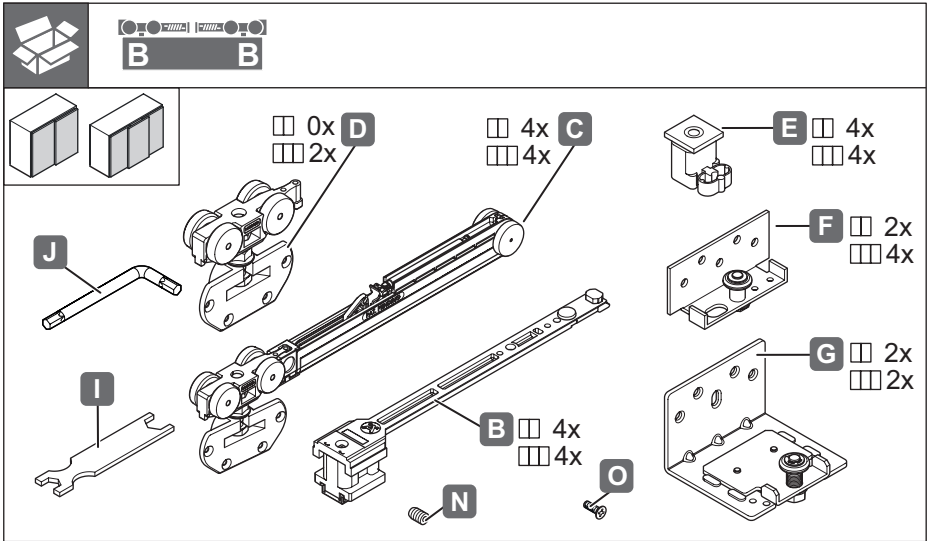
732.24.047



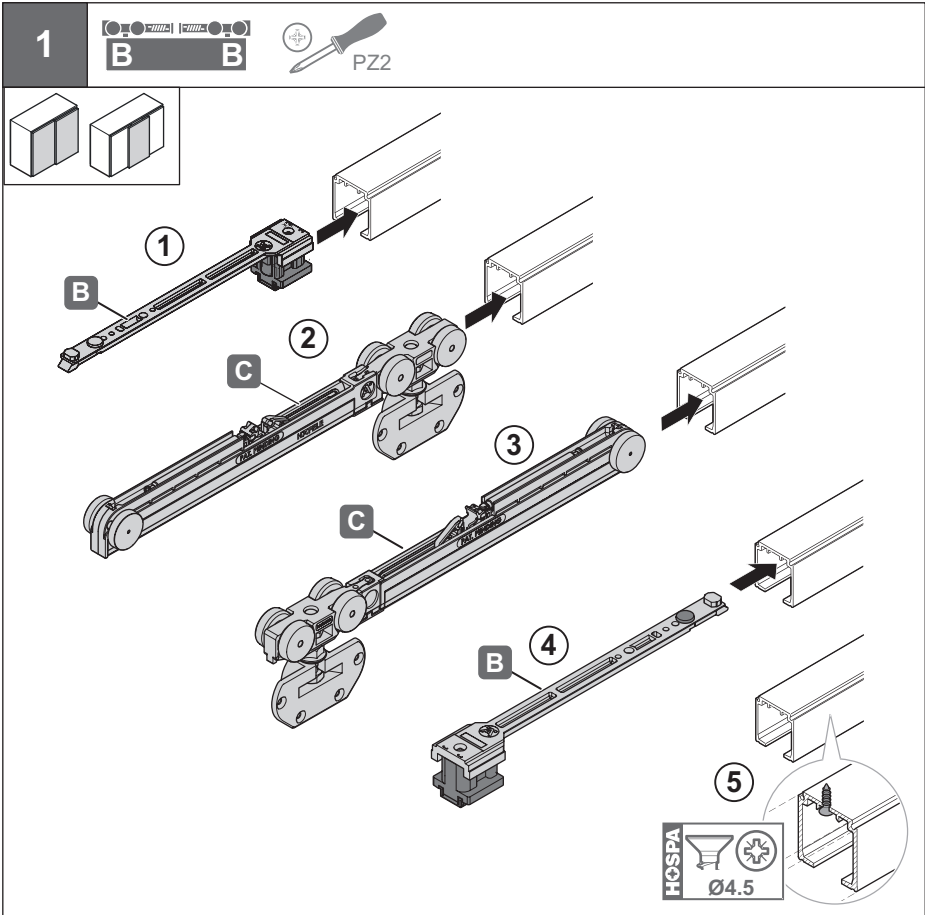
HDE 09.03.2022



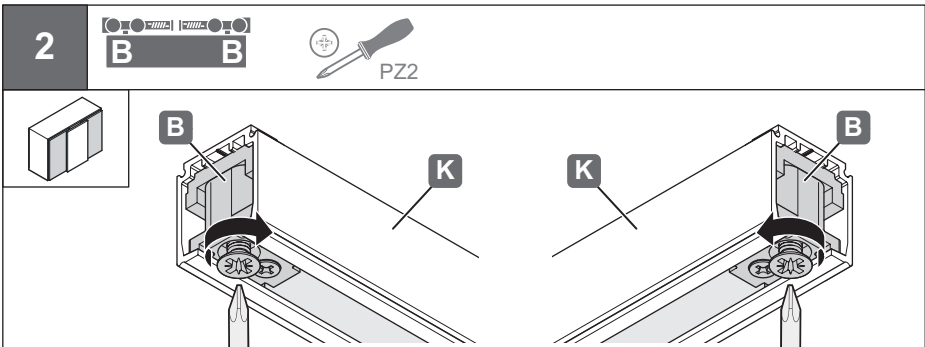
732.24.047



HDE 09.03.2022




732.24.047

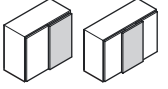
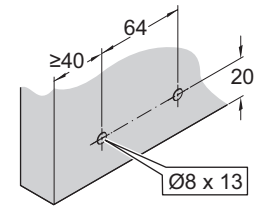
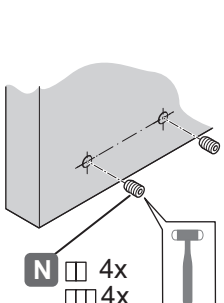




HDE 09.03.2022


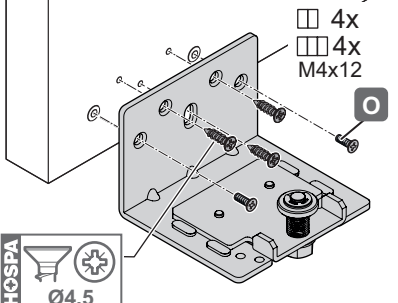
3



„mm“






N  4x
 4x

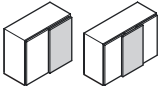



4x
4x
M4x12

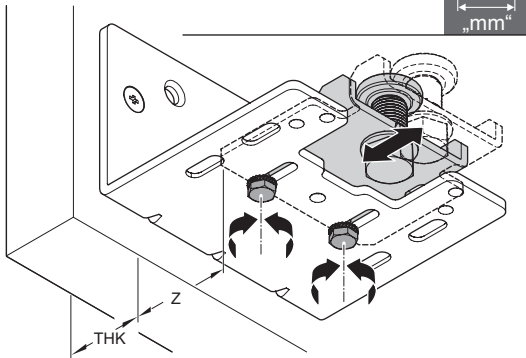
4



„mm“




THK	Z
33	33
30	28+2
28	28
27	28-2
25	23+2
24	23+1
23	23
22	23
29	23



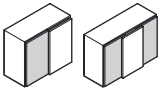
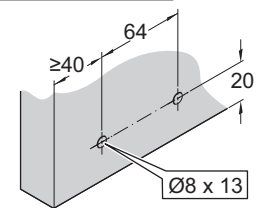
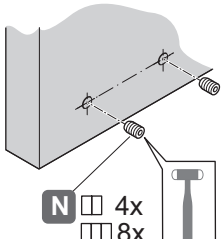
THK



Z


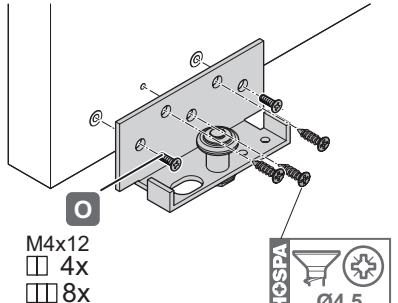
5



„mm“

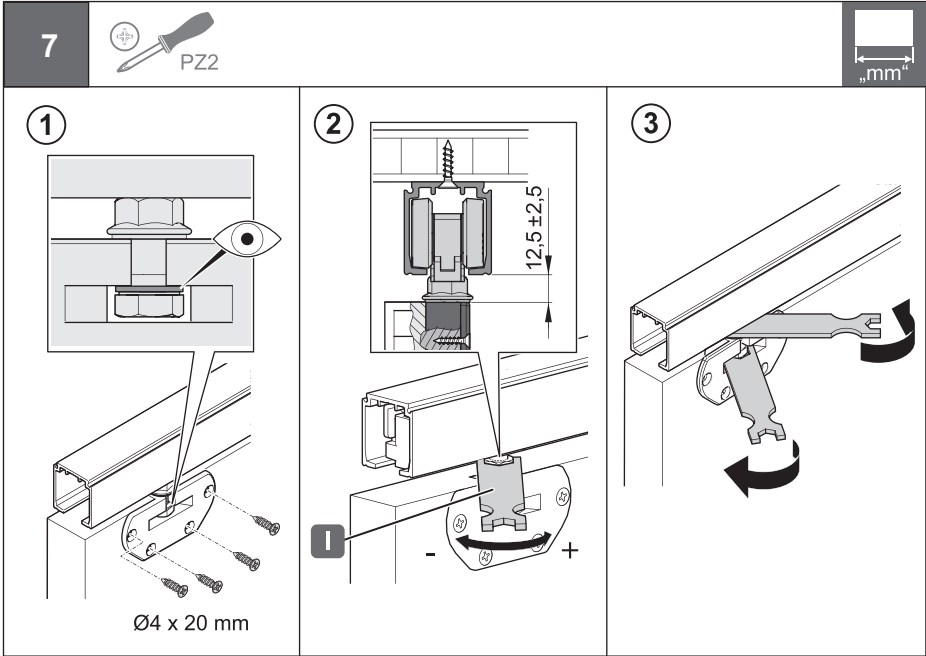
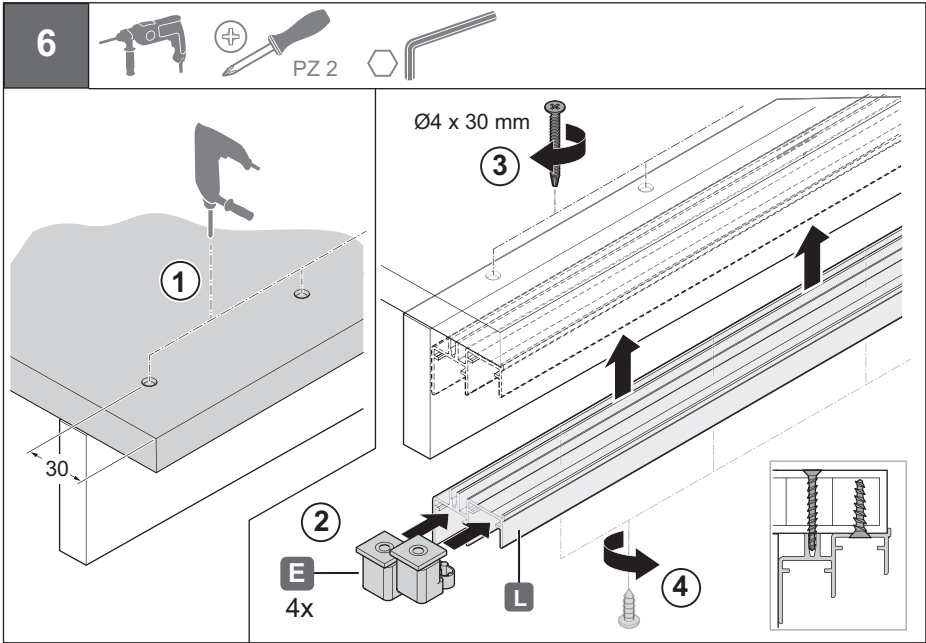
N  4x
 8x

M4x12
4x
8x

732.24.047

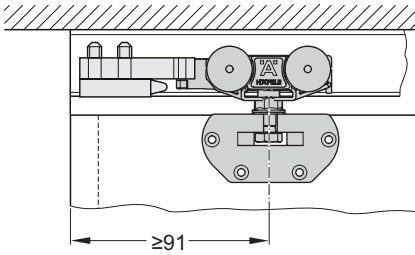
HDE 09.03.2022



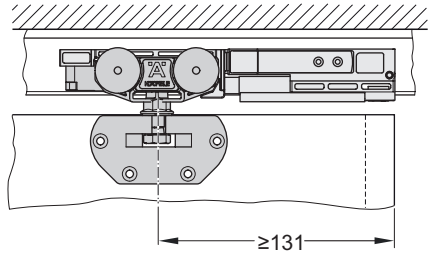
i



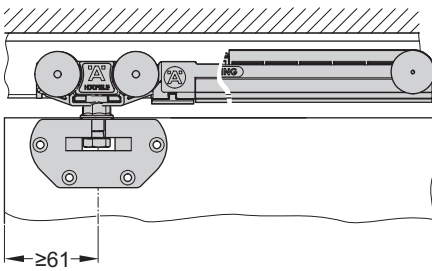
A



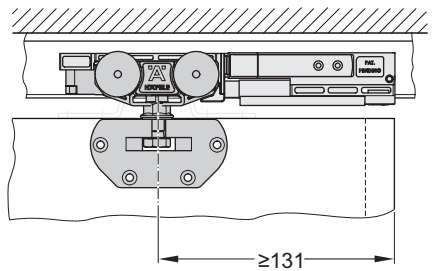
X



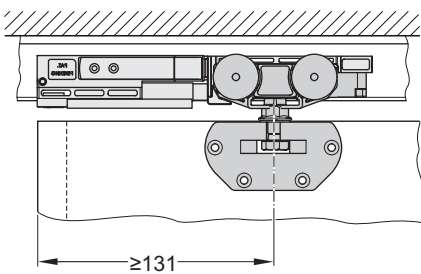
B



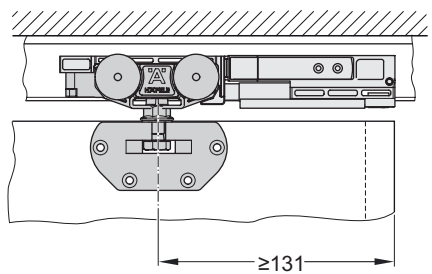
X



X



X



732.24.047

HDE 09.03.2022

