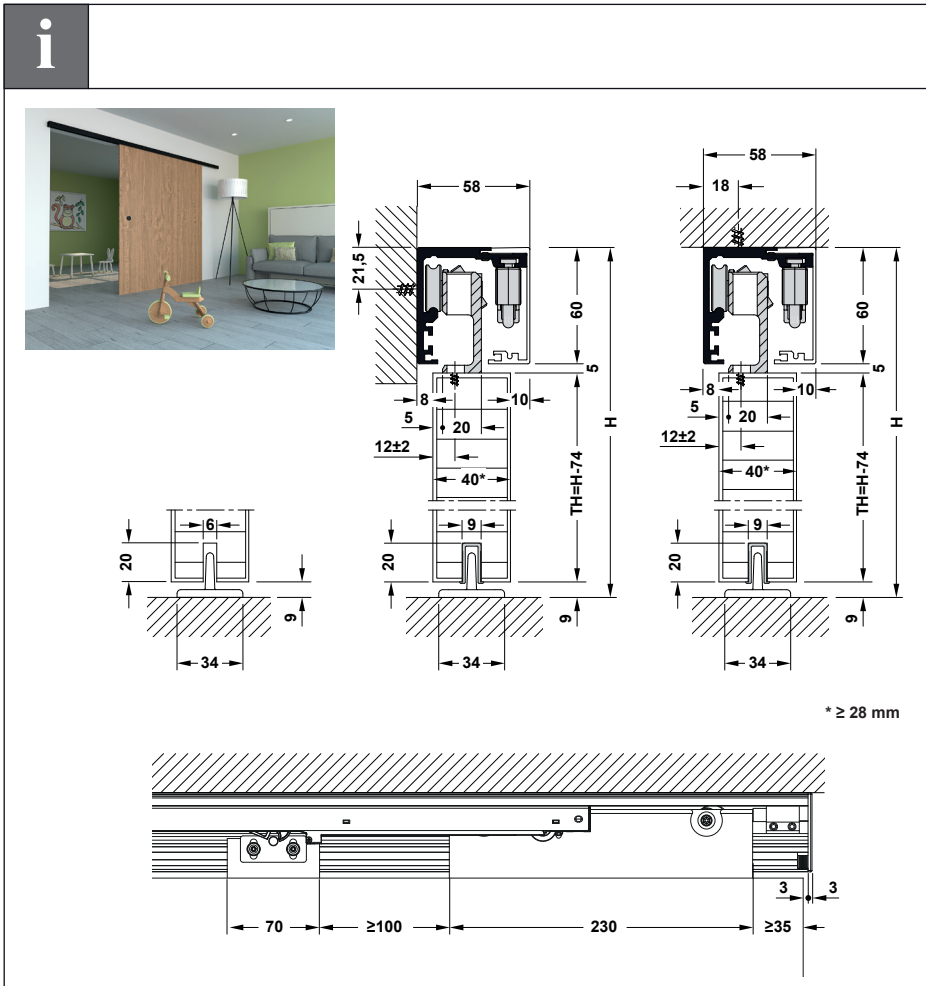




Slido D-Line12 80E / 120E

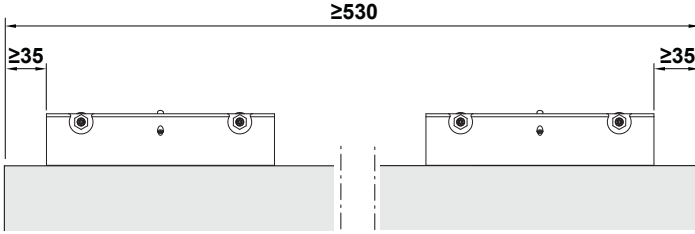
941.30.010 941.30.031 941.30.032

| | | |
|----------|------------|------------|
| D-Line12 | 0 | 2 |
| 80E | | 941.30.031 |
| 120E | 941.30.010 | 941.30.032 |

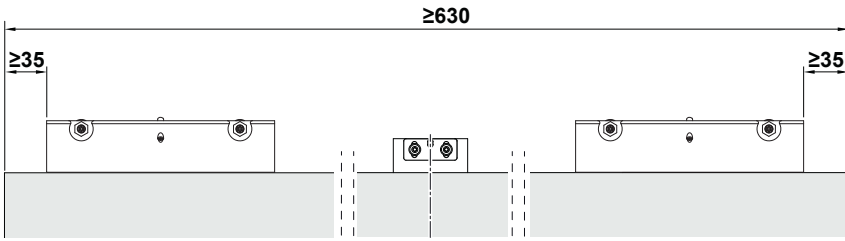


i

0

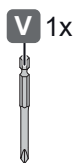
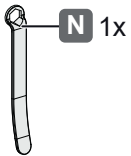
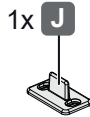
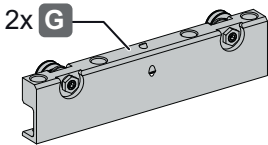
2

732.29.711



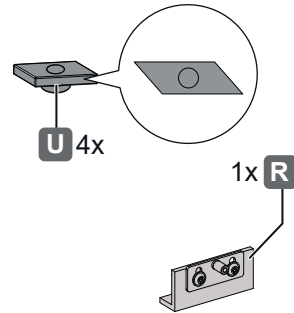
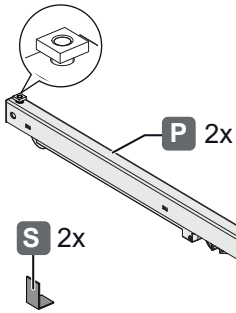
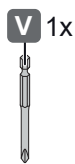
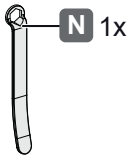
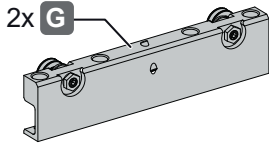
0

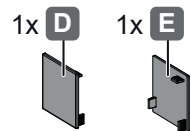
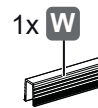
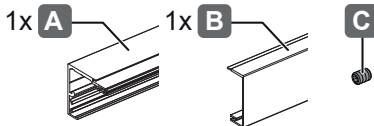
HDE 20.10.2022



2
WMM

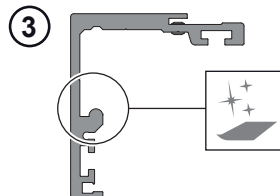
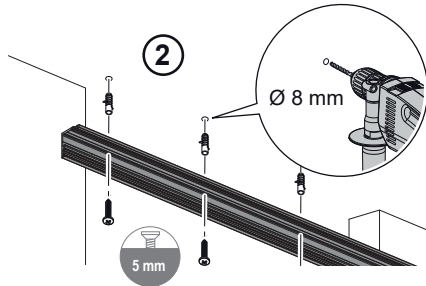
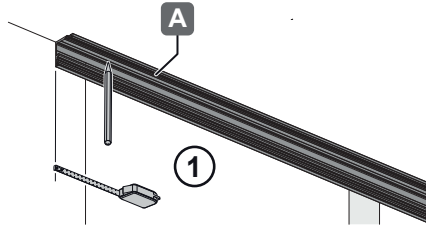
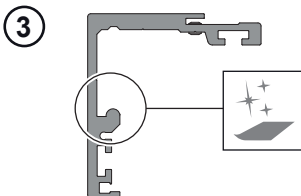
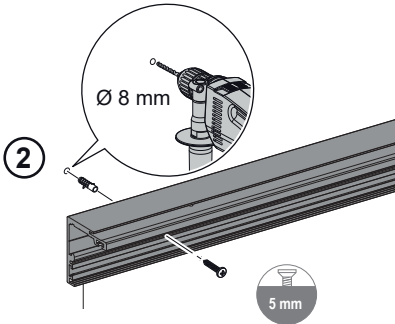
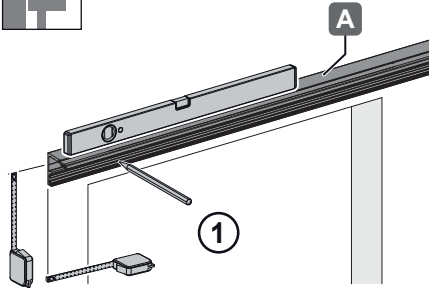


732.29.711



HDE 20.10.2022

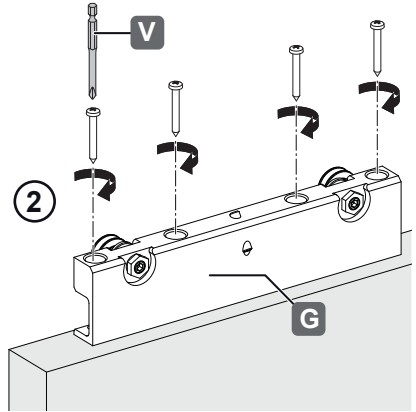
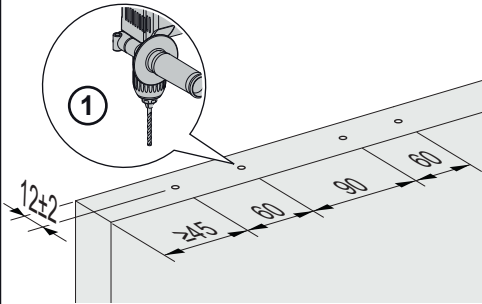
1



732.29.711

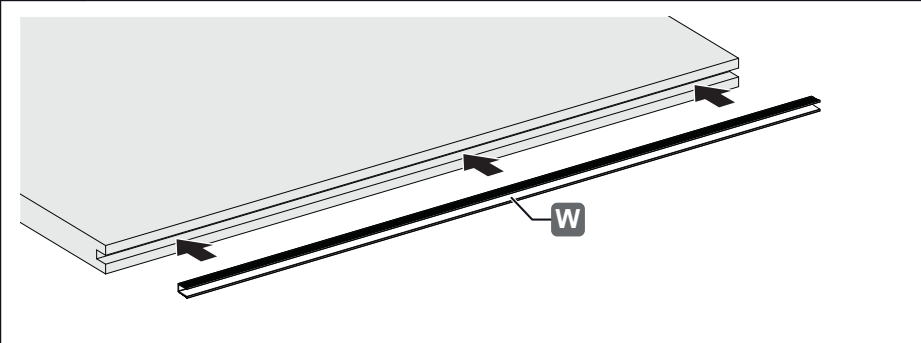
HDE 20.10.2022

2



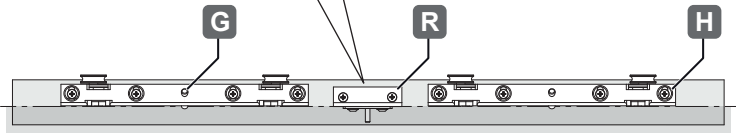
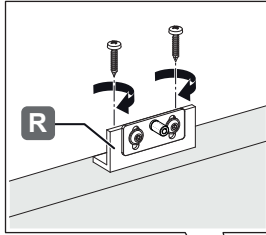
732.29.711

3



HDE 20.10.2022

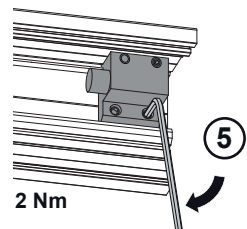
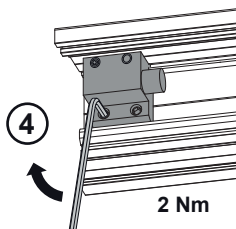
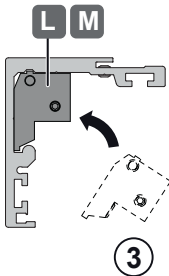
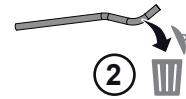
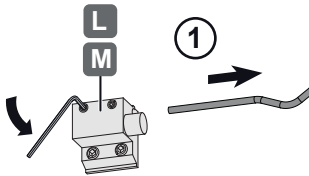
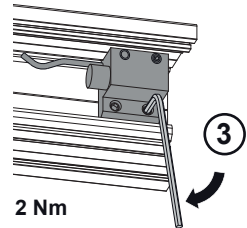
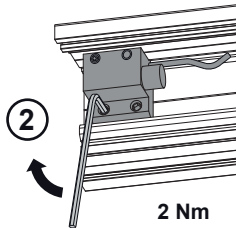
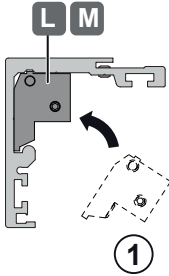
4



732.29.711

HDE 20.10.2022

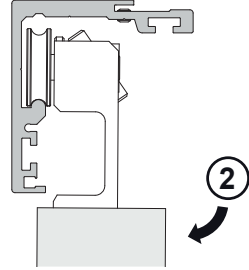
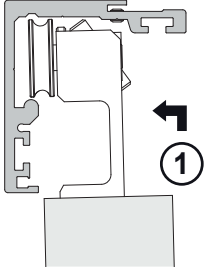
5



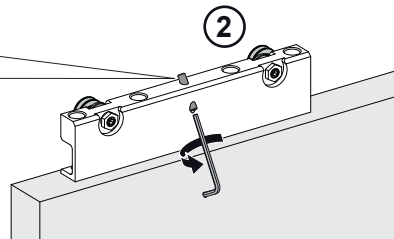
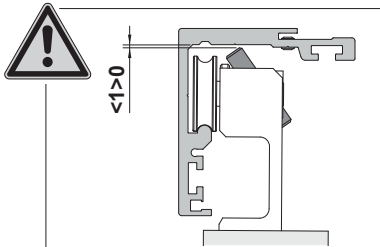
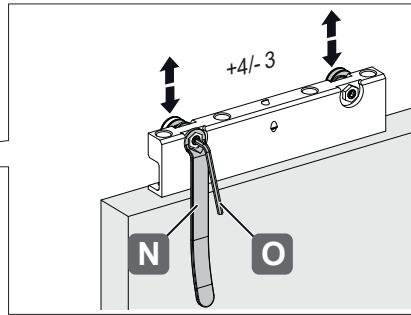
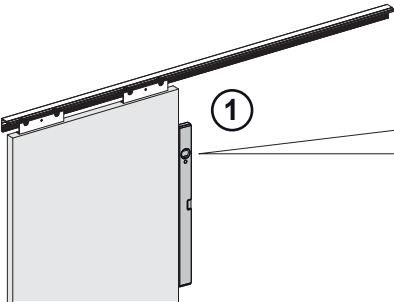
732.29.711

HDE 20.10.2022

6



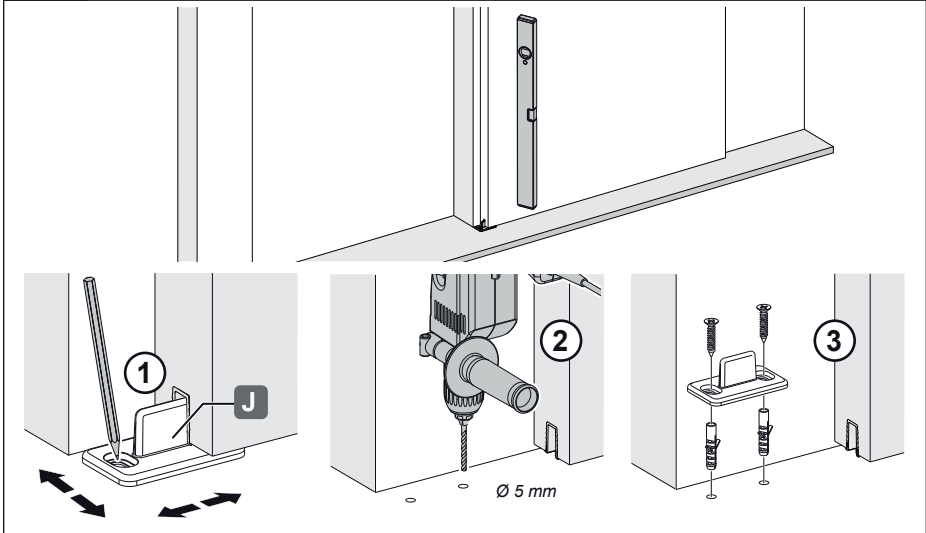
7



732.29.711

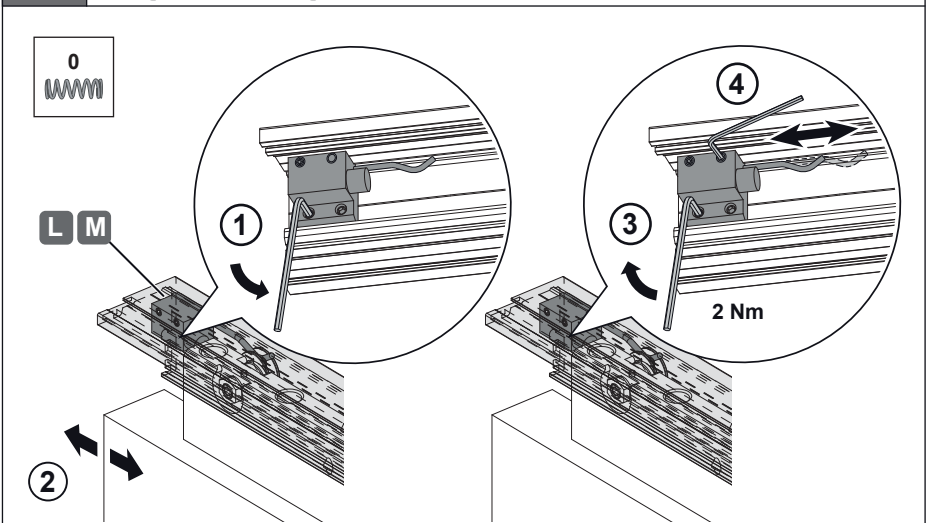
HDE 20.10.2022

8



732.29.711

9.1

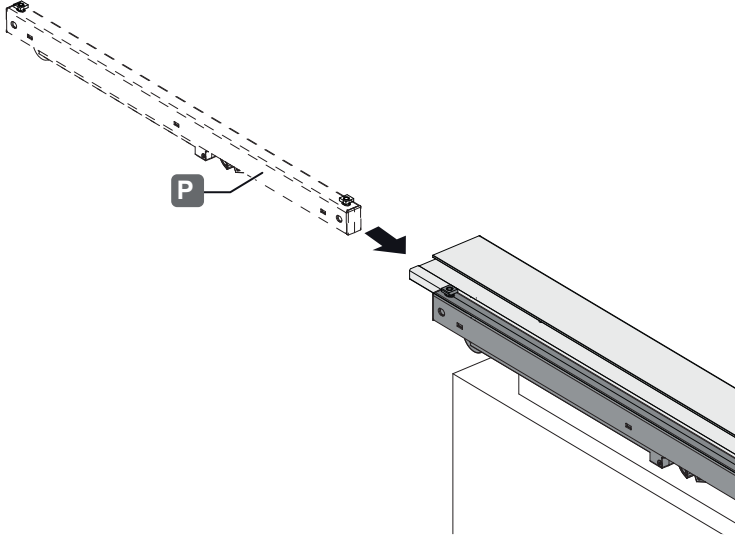


HDE 20.10.2022

9.2

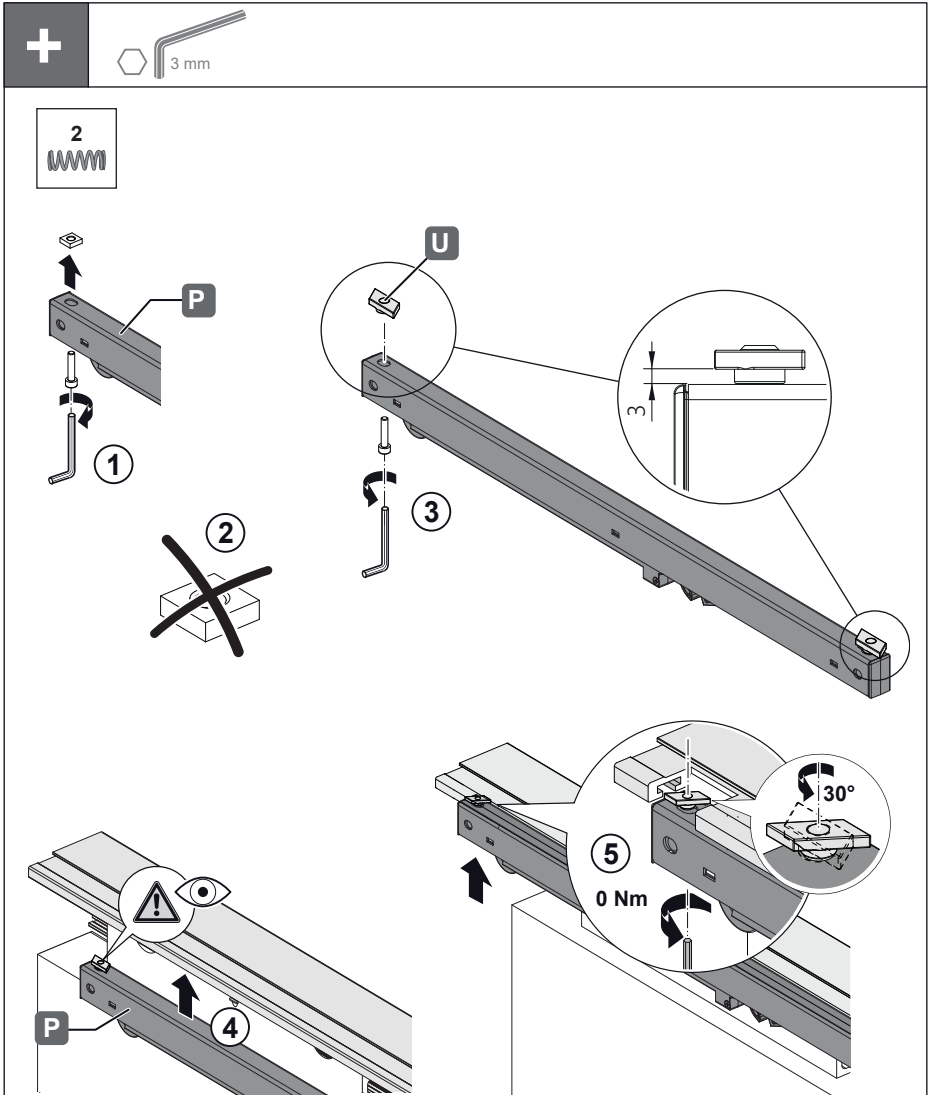


2
W



732.29.711

HDE 20.10.2022



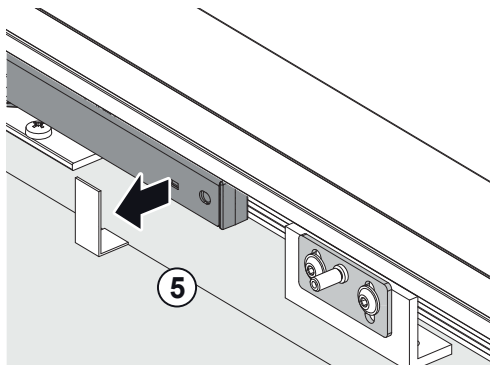
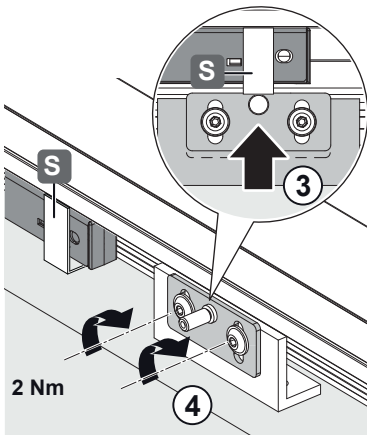
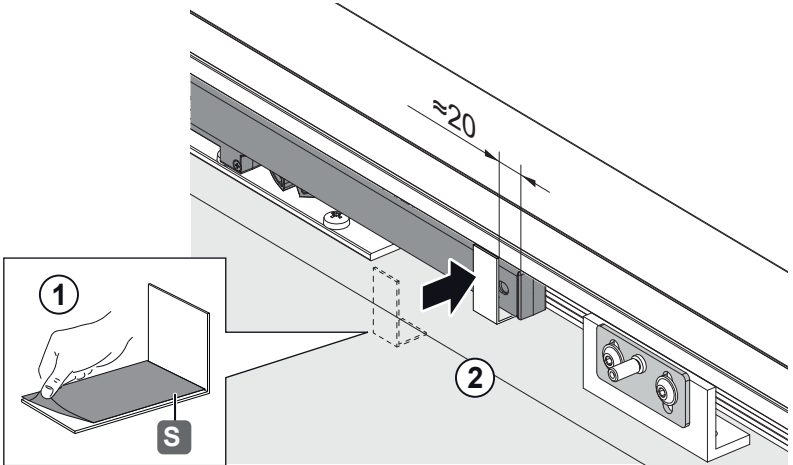
732.29.711

HDE 20.10.2022

9.3



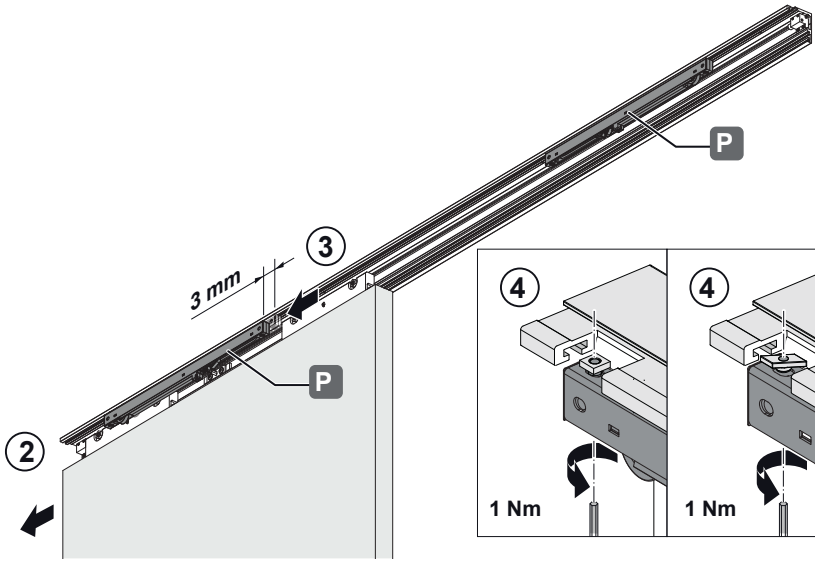
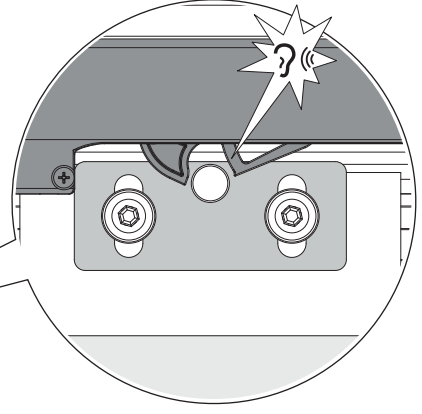
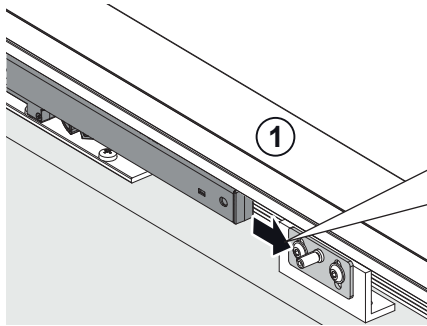
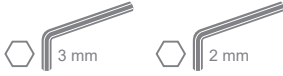
2



732.29.711

HDE 20.10.2022

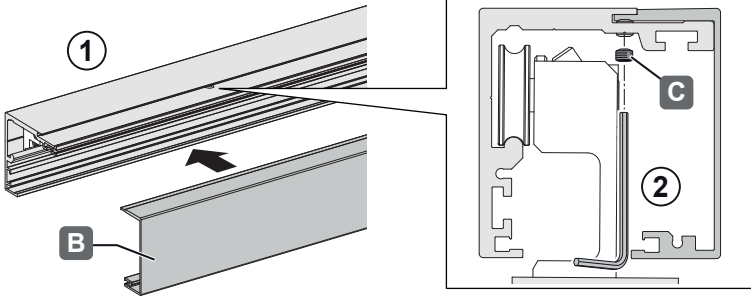
9.4



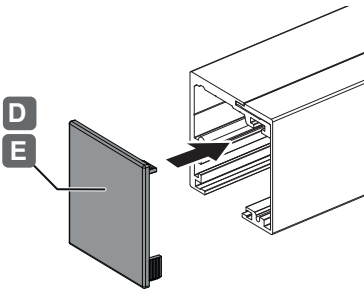
732.29.711

HDE 20.10.2022

10



11



732.29.711

HDE 20.10.2022

732.29.711

HDE 20.10.2022

732.29.711

HDE 20.10.2022