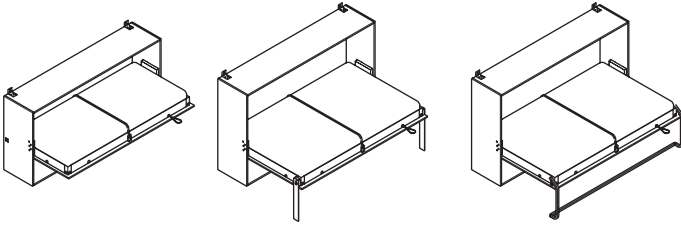




## Teleletto Style/Comfort/Exclusive



271.91.030	271.91.100	271.91.650
271.91.040	271.91.101	271.91.651
271.91.041	271.91.55x	271.91.652
271.91.050	271.91.56x	271.91.661
271.91.051	271.91.57x	271.91.662
271.91.090	271.91.580	271.91.671
271.91.095		271.91.672
271.91.096		

**Parts List:**

- A 2x
- B
- C
- D 2x
- E
- F
- X 2x
- M 2x
- S 2x
- T 4x
- p 8x
- P 6x
- Q 4x
- R 2x
- n 2x
- O 2x
- k 2x
- m 2x
- R<sub>1</sub>
- R<sub>2</sub>
- R<sub>3</sub>
- R<sub>4</sub>
- R<sub>5</sub> 2x
- R<sub>6</sub>
- R<sub>7</sub> 2x
- b 6x
- c 12x
- d 16x
- e 16x
- U IS45
- z 16x
- H 20x
- 4,5x17
- 4,5x50
- a 4x
- L
- K
- h 2x
- s
- v 2x
- w 4x
- t
- u
- g 2x
- f 2x
- N 2x
- g
- h
- z 8x
- Y
- p 8x
- 4,5x17

**Inset Diagrams:**

- Inset 1:** Shows the assembly of the headboard/footboard onto the frame, with a width constraint of  $<1200$ .
- Inset 2:** Shows the assembly of the frame legs, with a width constraint of  $\geq 1600$ .
- Inset 3:** Shows the assembly of the side rails, with a width constraint of  $\geq 1600$ .
- Inset 4:** Shows the assembly of the headboard/footboard onto the frame, with a width constraint of  $\geq 1600$ .

732.22.283

[WS132]

HDE 16.04.2024

+
„mm“

3/4,5/10/16 mm

T20

SW5/8

i
„mm“

+

T	H
460	≤230
500	≤300

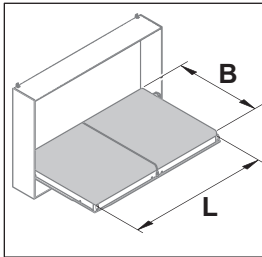
B	1000	1200	1400	1600	1800	2000
<b>a</b>	16	17	17	18	19	20
<b>b</b>	13	14	16	19	23	30
<b>c</b>	2,5	2,5	2,5	2,5	2,5	2,5
<b>d</b>	29	34	39	44	48,5	55
<b>e</b>	14	15	16	20	26	32
<b>f</b>	7	8	10	11	12	20
<b>g</b>	2,5	3	3	3,2	3,4	3,6

732.22.283

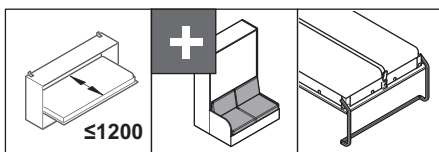
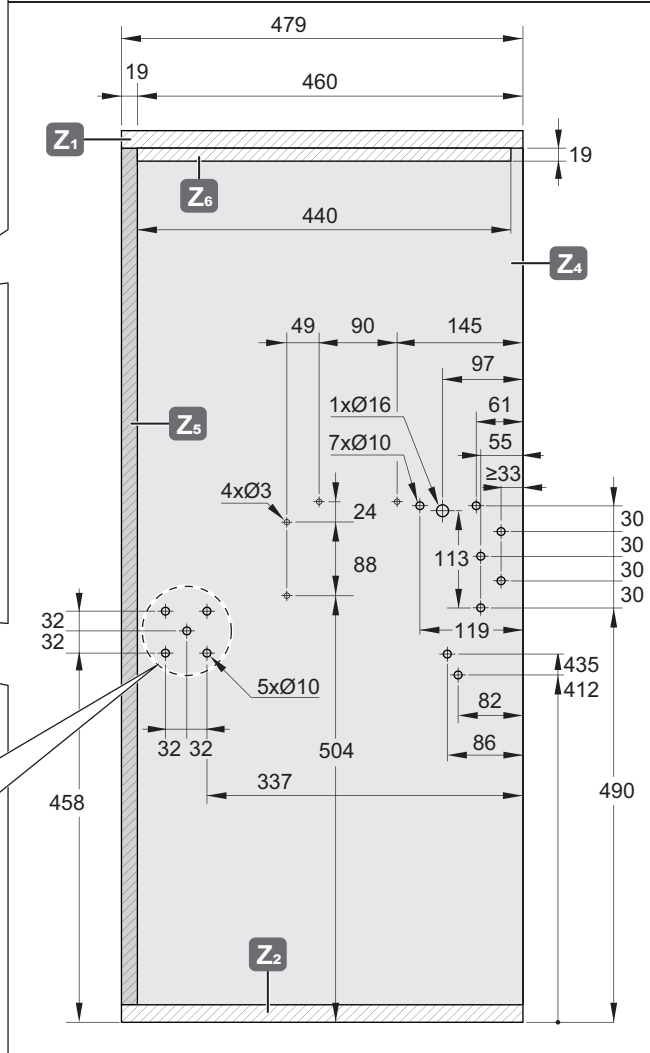
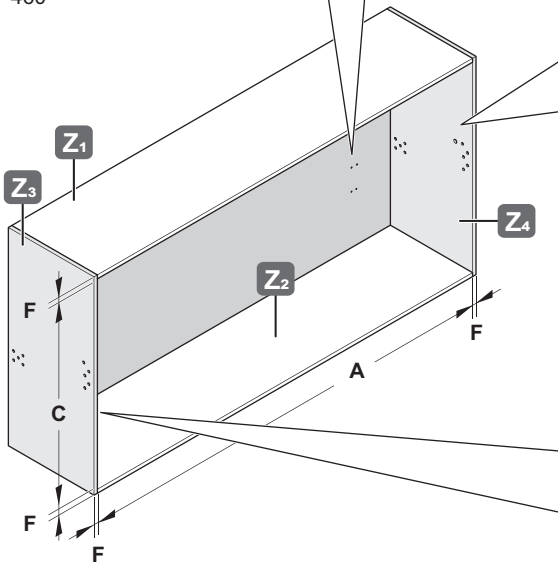
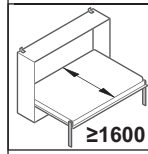
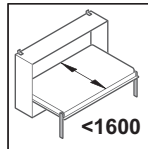
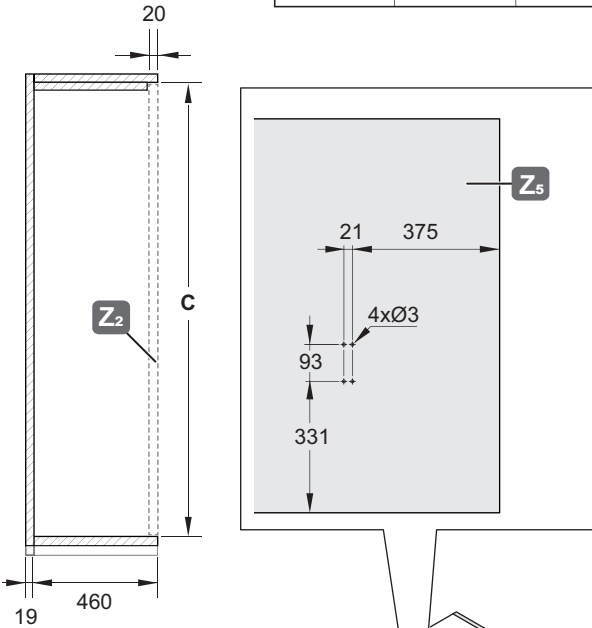
[WS132]

HDE 16.04.2024

1A



B	L	C=B+107	A=L+86	D=B+97	E=L+76	F
1000	2000	1107	2086	1097	2076	19
1200	2000	1307	2086	1297	2076	19
B	L	C=B+107	A=L+86	D=B+97	E=L+76	F
1400	2000	1507	2086	1497	2076	19
B	L	C=B+101	A=L+86	D=B+91	E=L+76	F
1600	2000	1701	2086	1691	2076	25
1800	2000	1901	2086	1891	2076	25



732.22.283

[WS132]

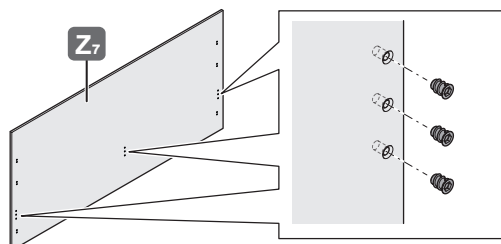
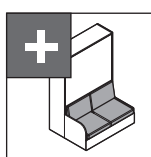
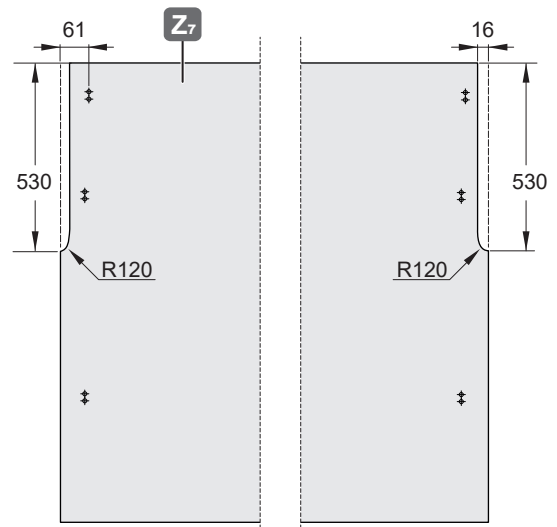
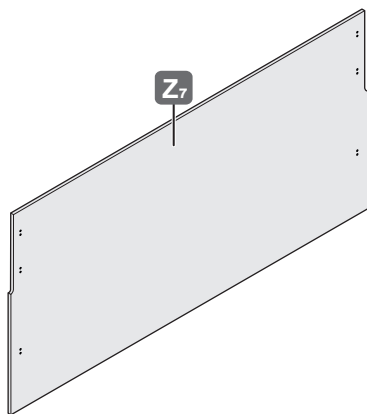
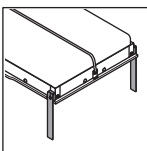
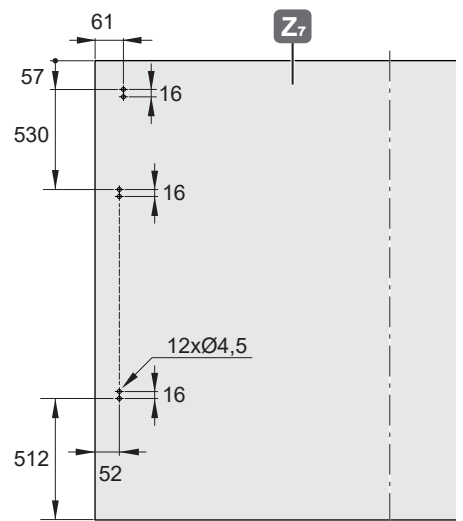
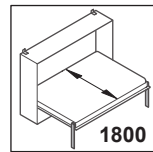
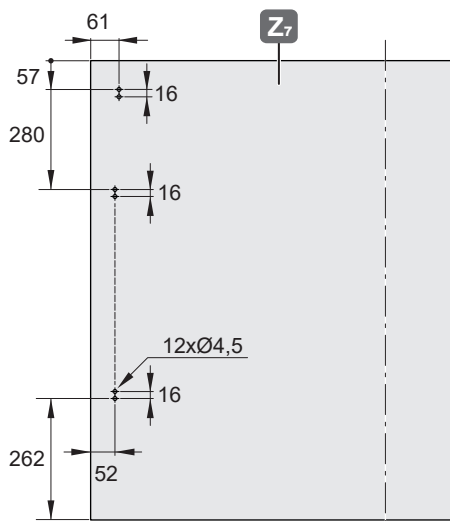
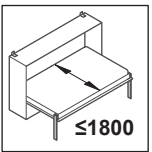
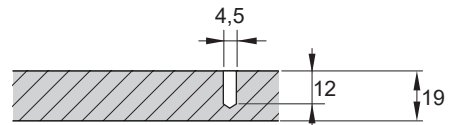
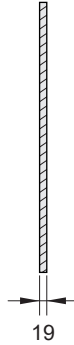
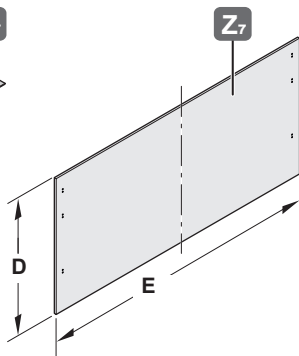
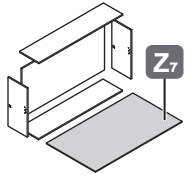
HDE 16.04.2024

2



4,5 mm

mm



732.22.285



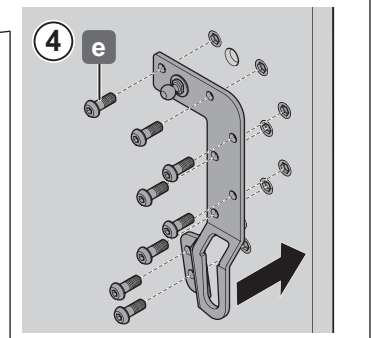
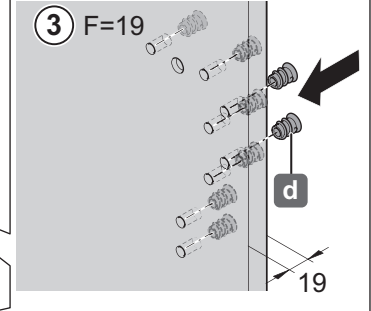
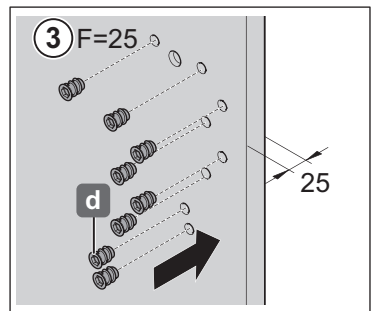
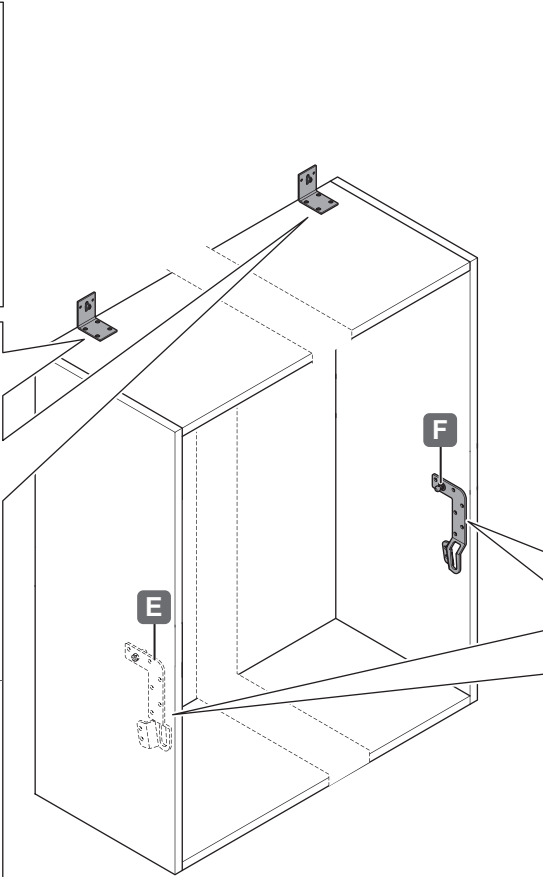
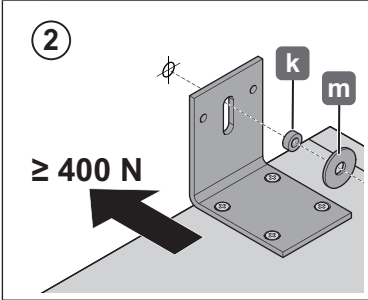
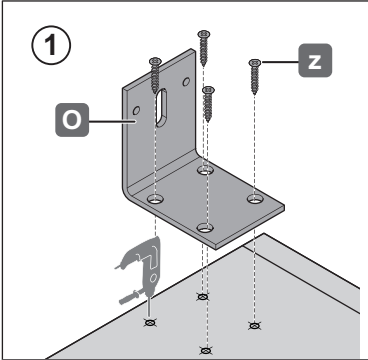
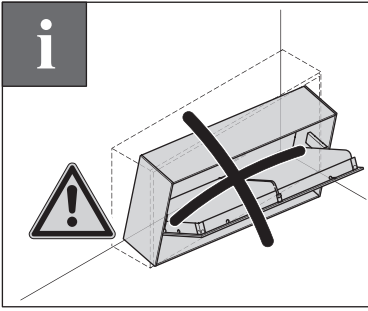
[www.hafele.com/de/ins-doc-04744833](http://www.hafele.com/de/ins-doc-04744833)

732.22.283

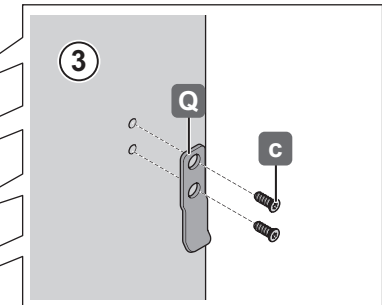
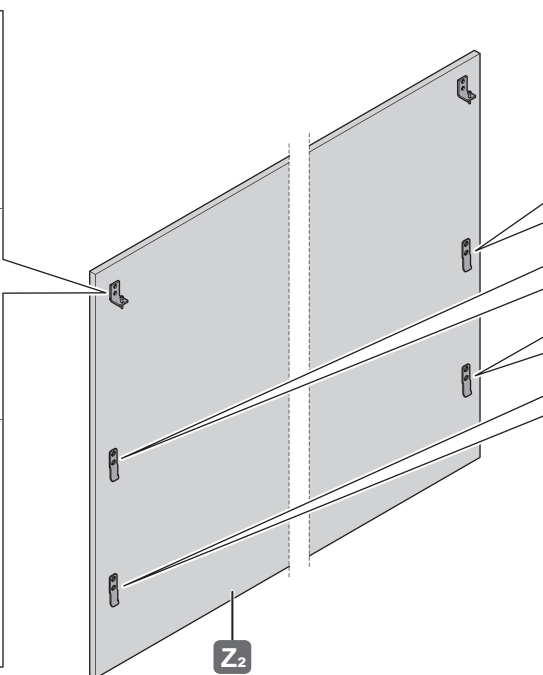
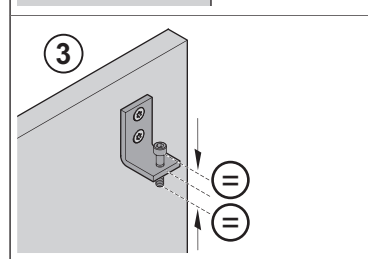
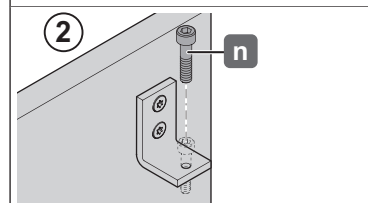
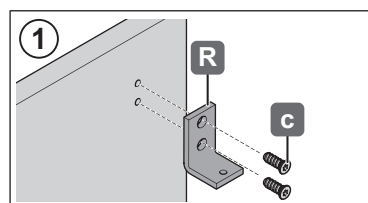
[WS132]

HDE 16.04.2024

3



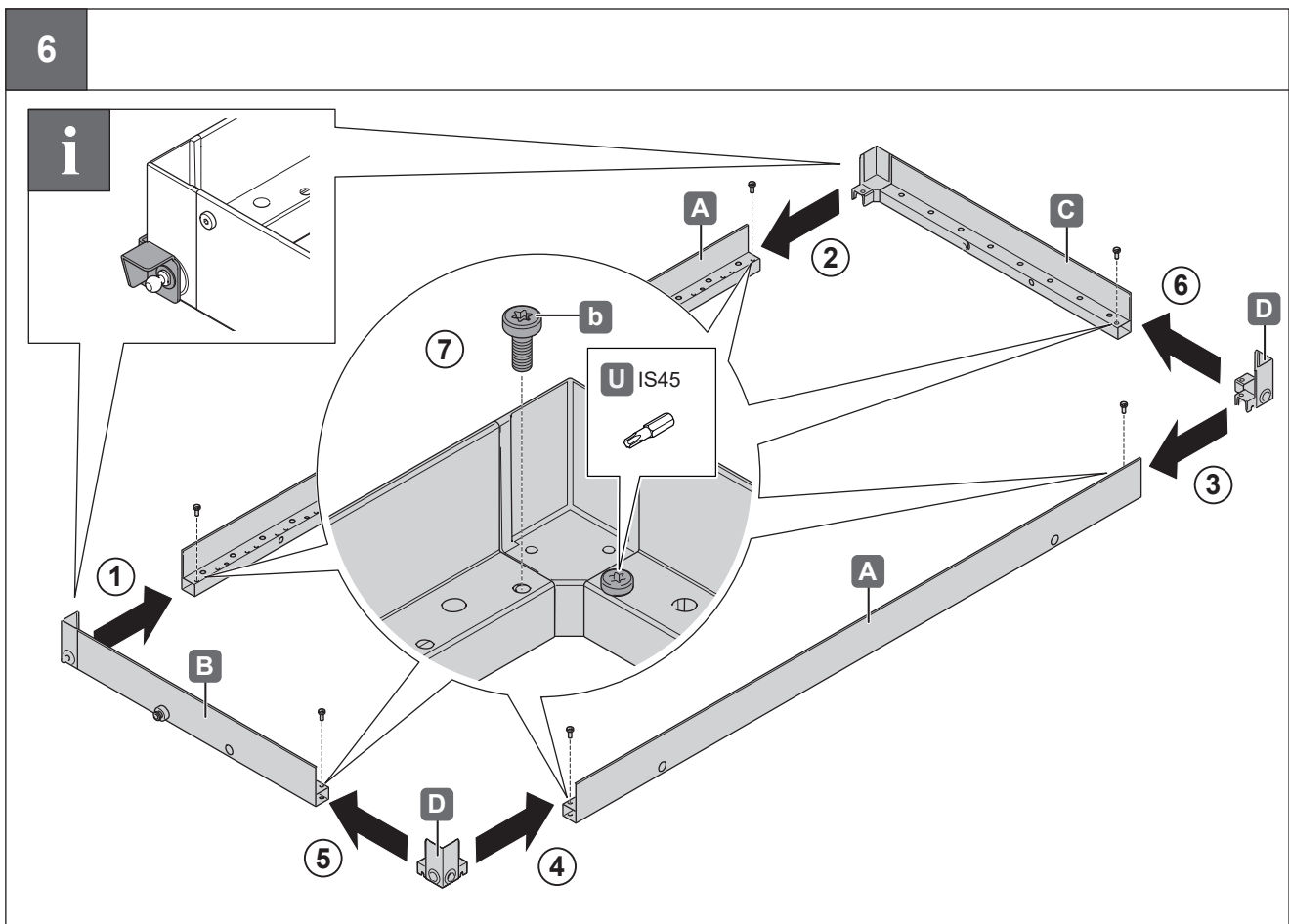
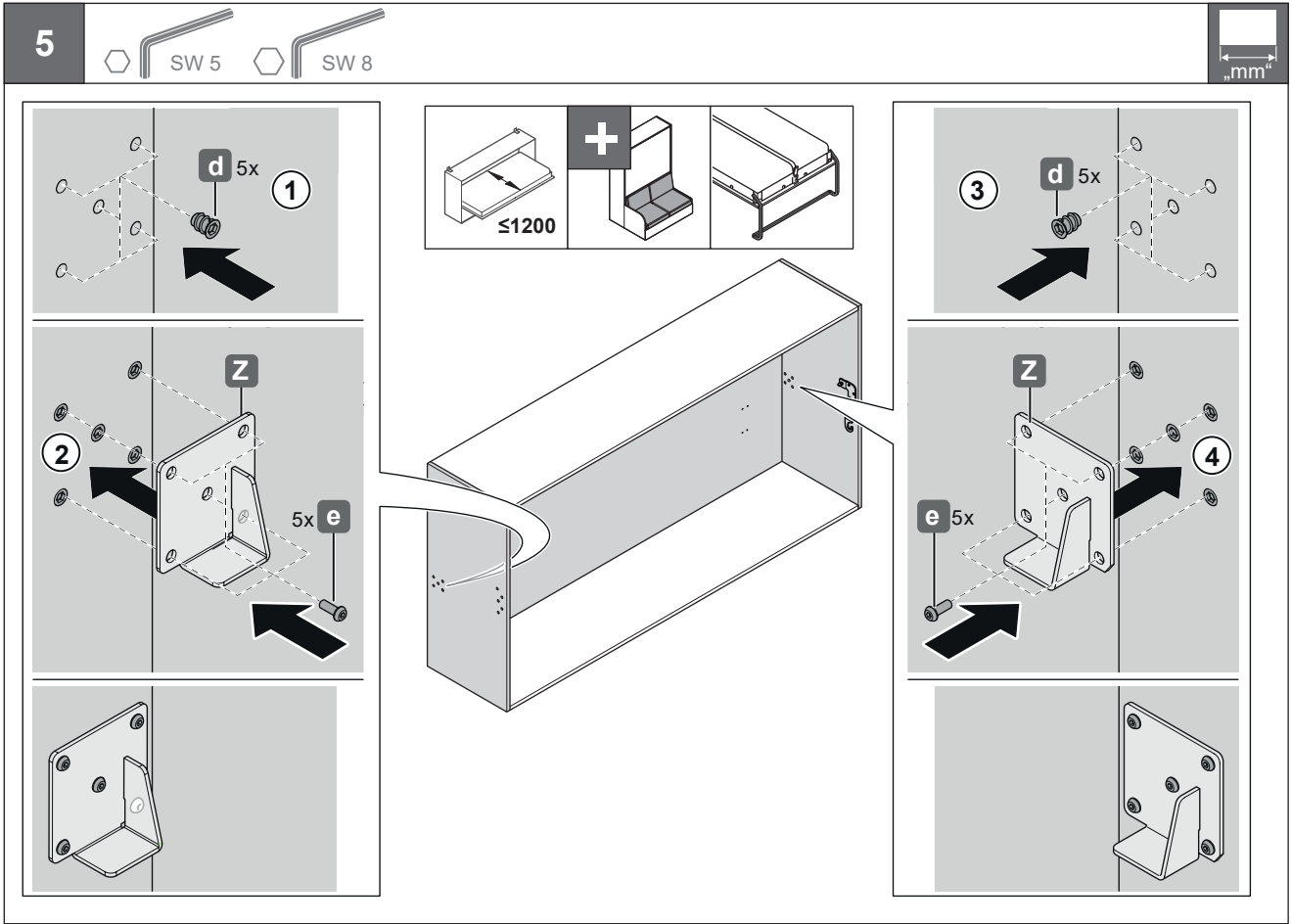
4



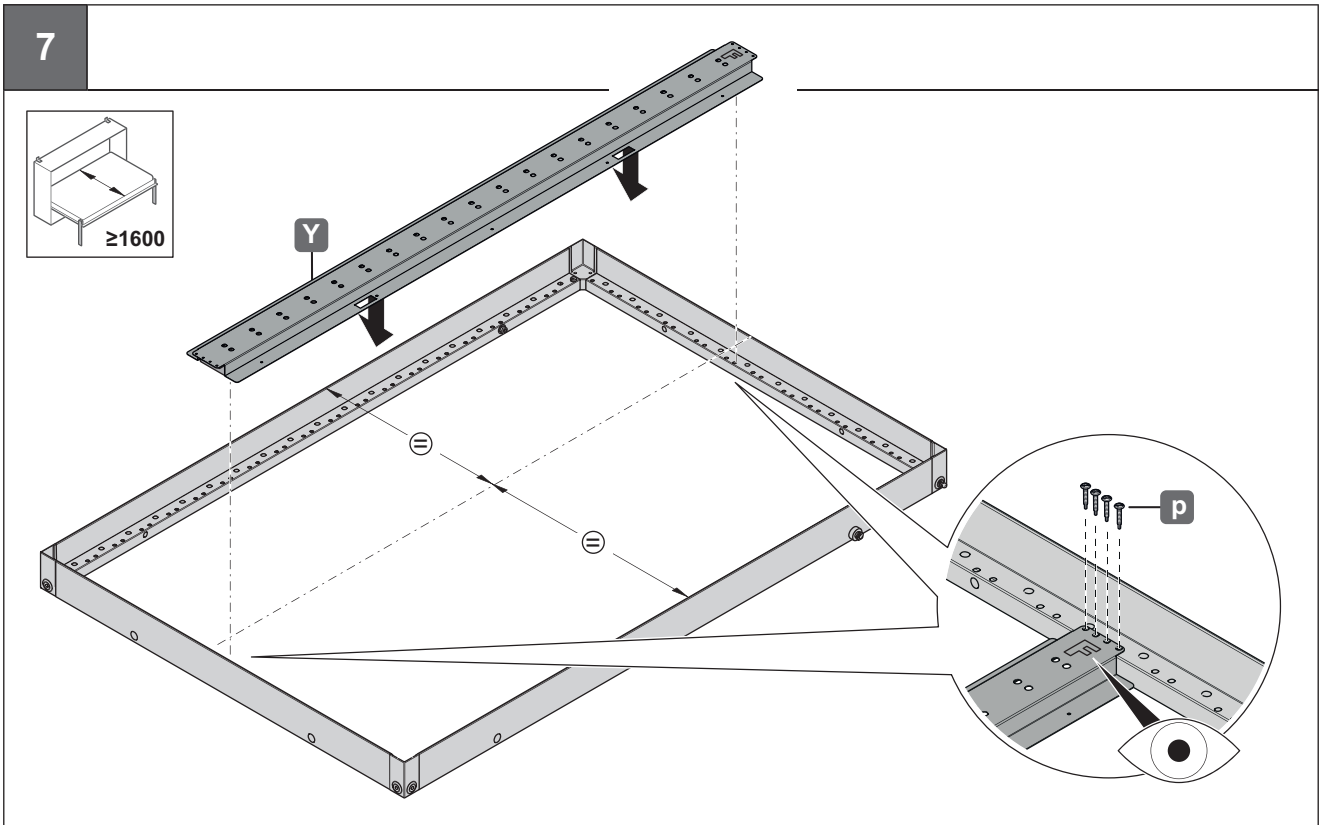
732.22.283

[WS132]

HDE 16.04.2024



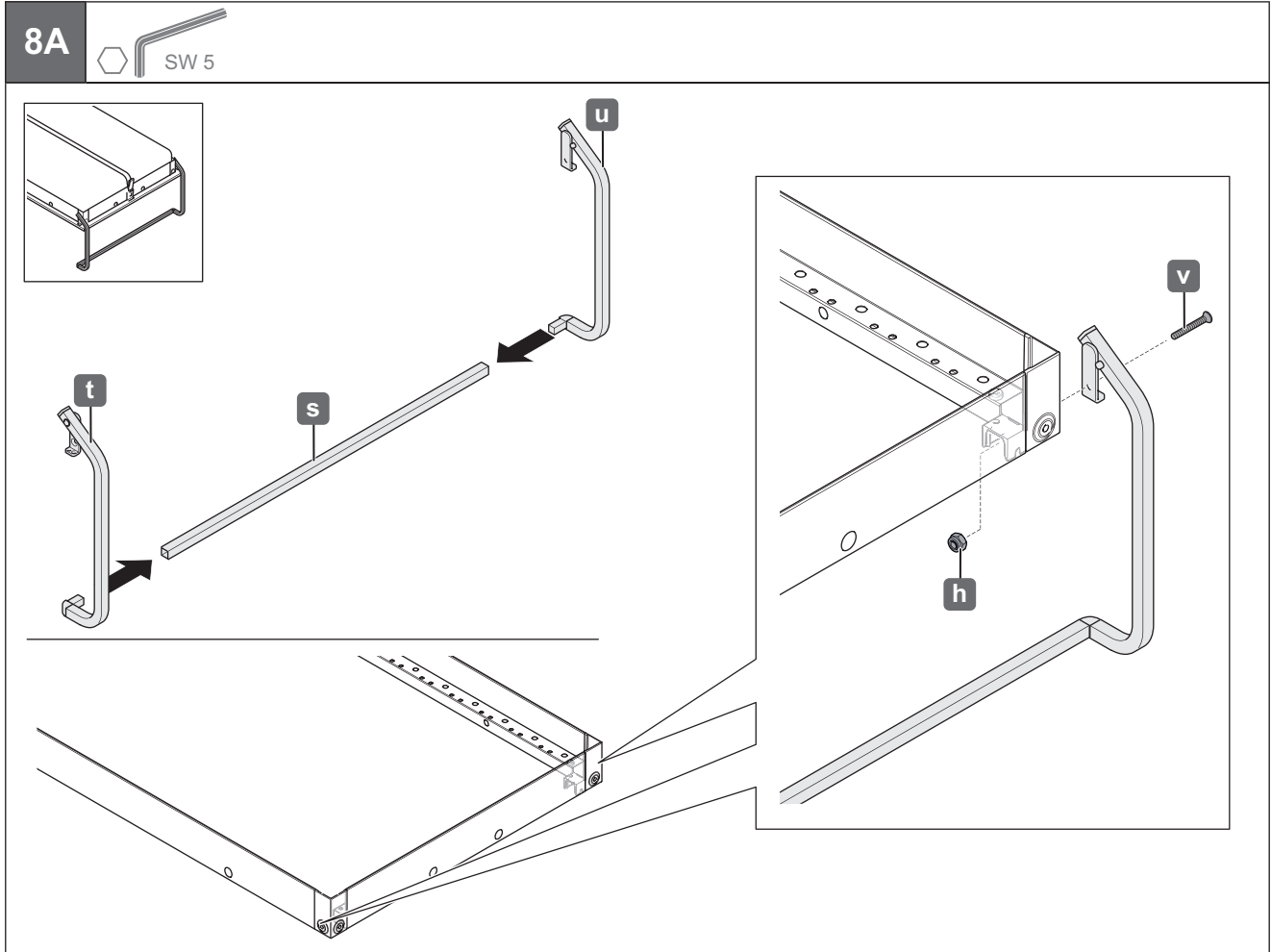
7



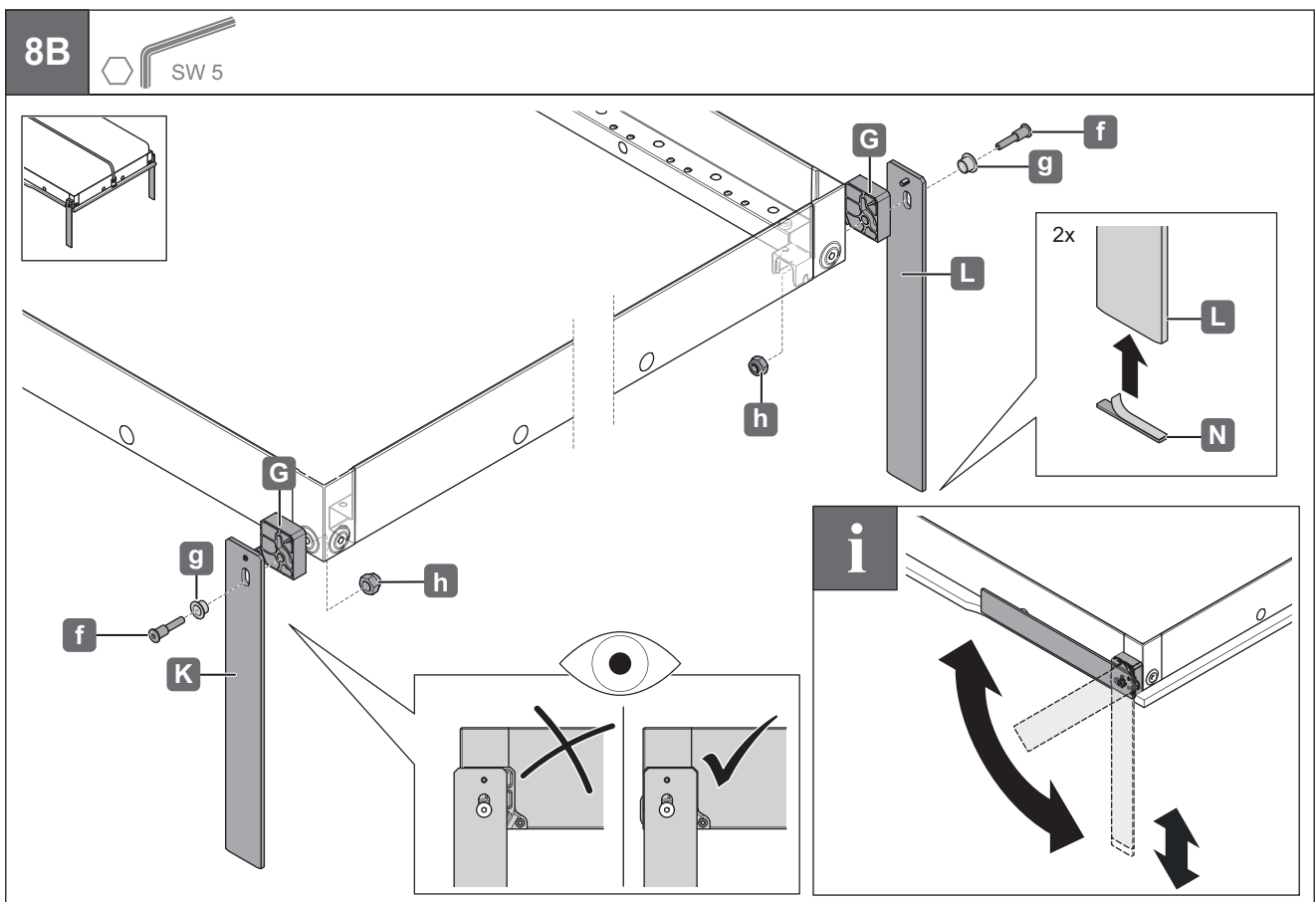
732.22.283

[WS132]

HDE 16.04.2024



732.22.283



[WS132]

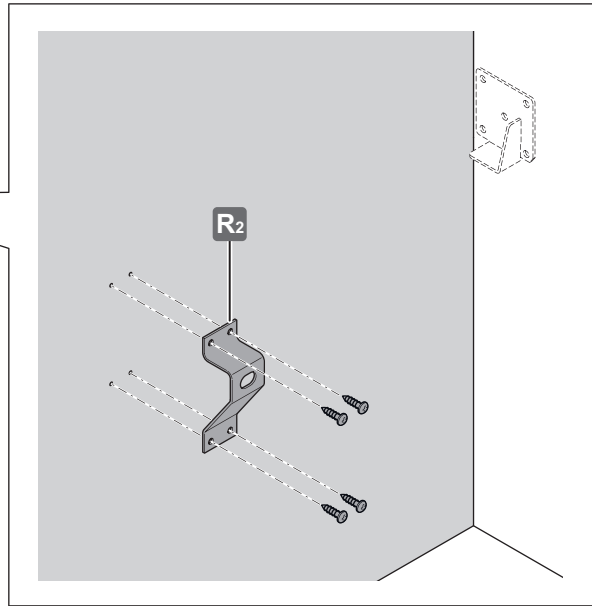
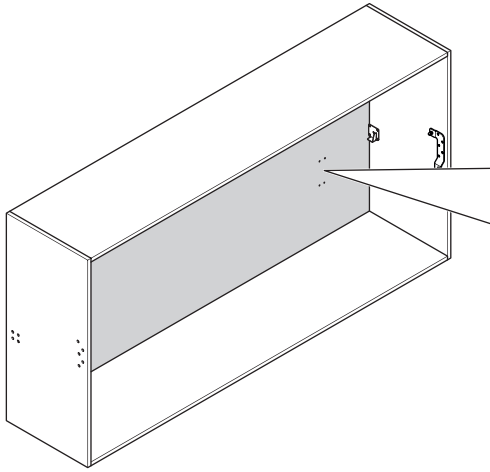
HDE 16.04.2024



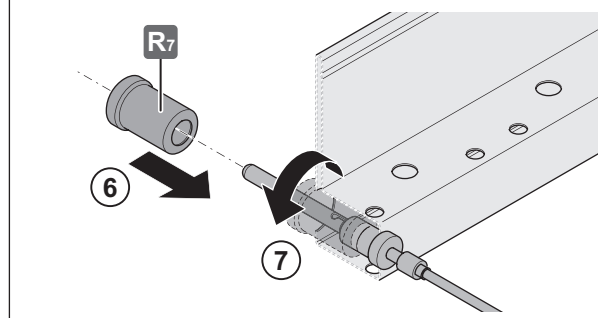
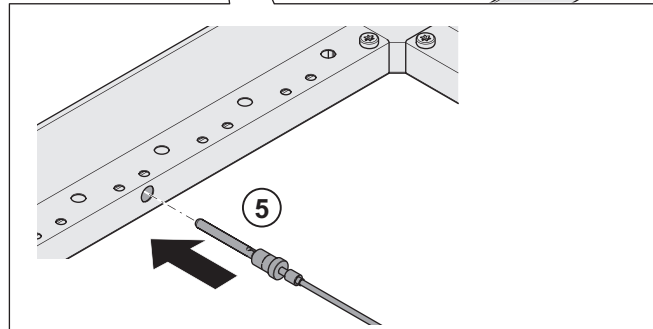
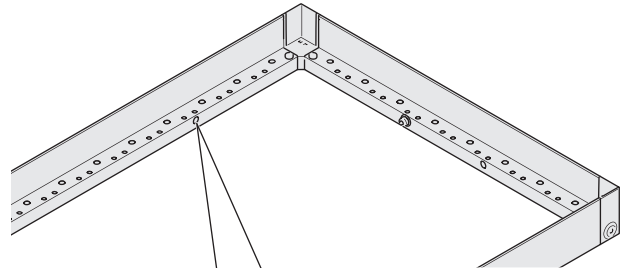
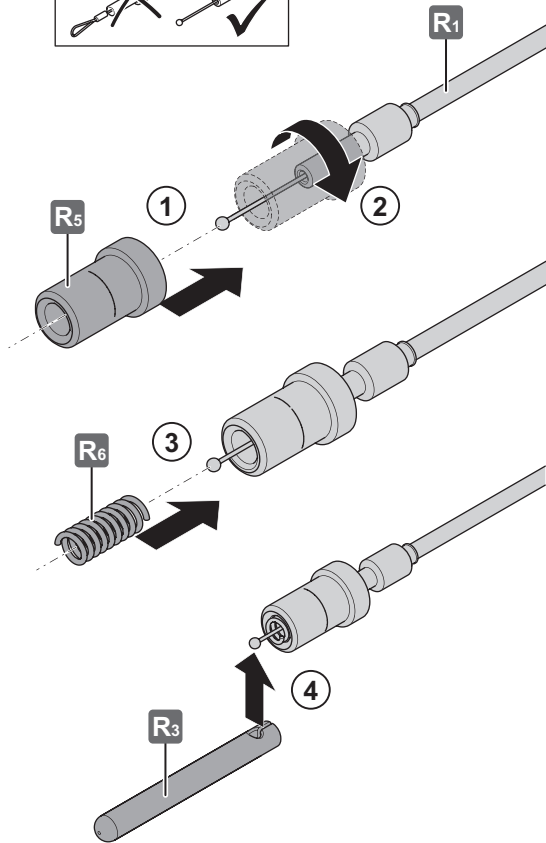
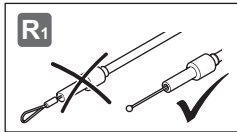
9



PZ 2



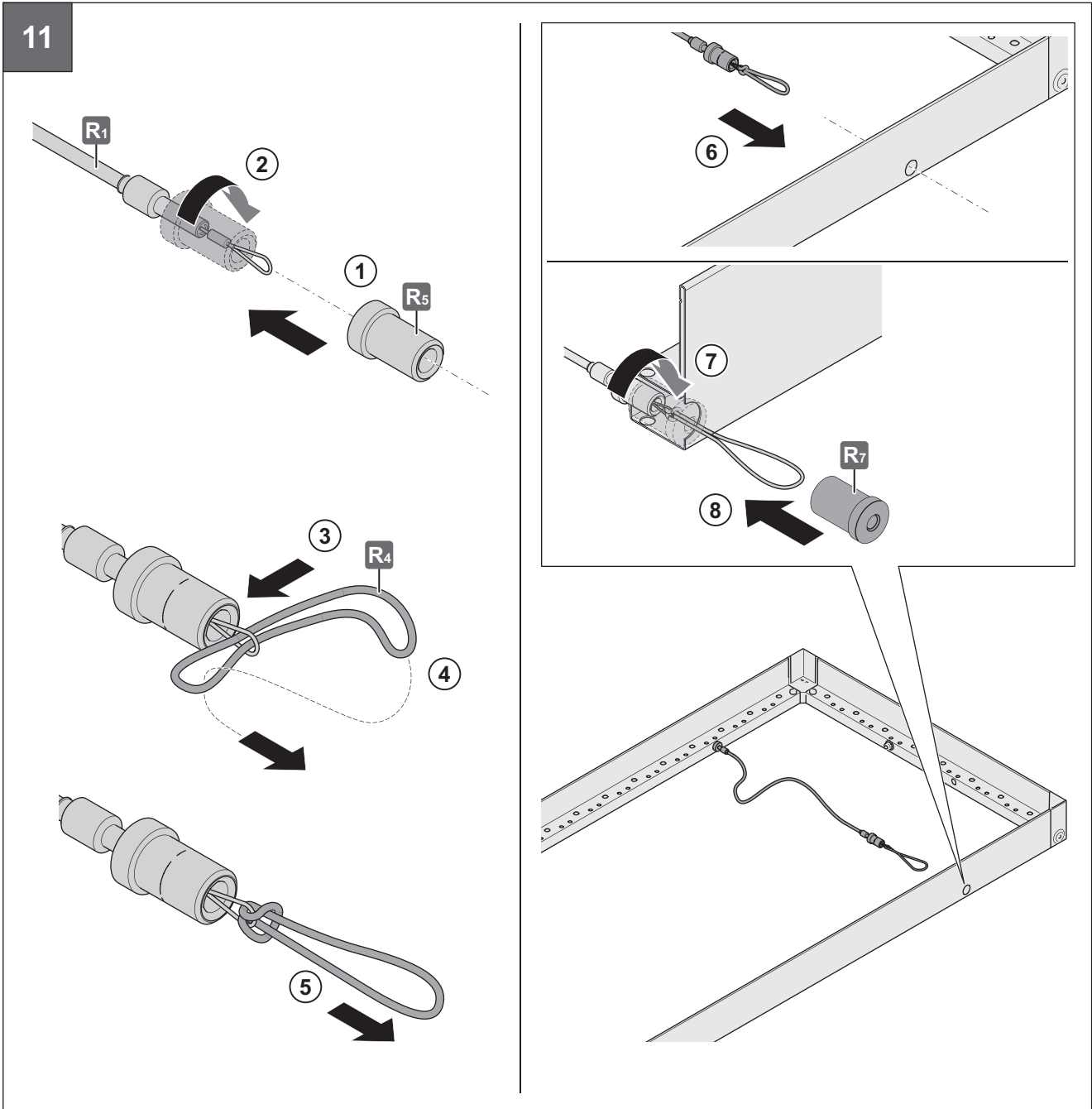
10



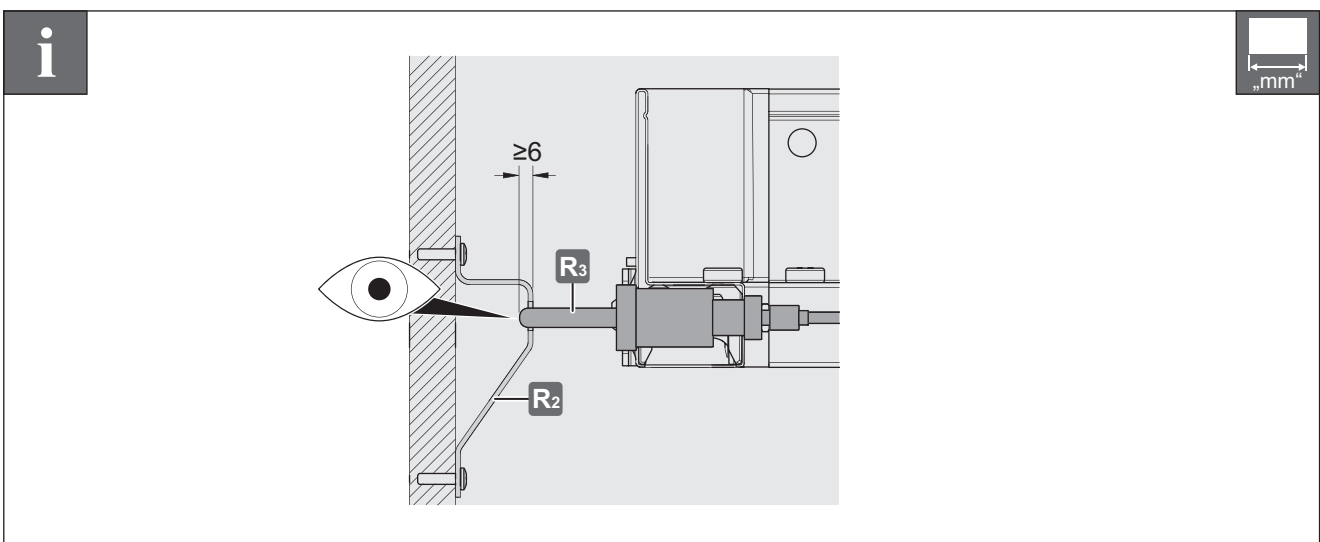
732.22.283

[WS132]

HDE 16.04.2024



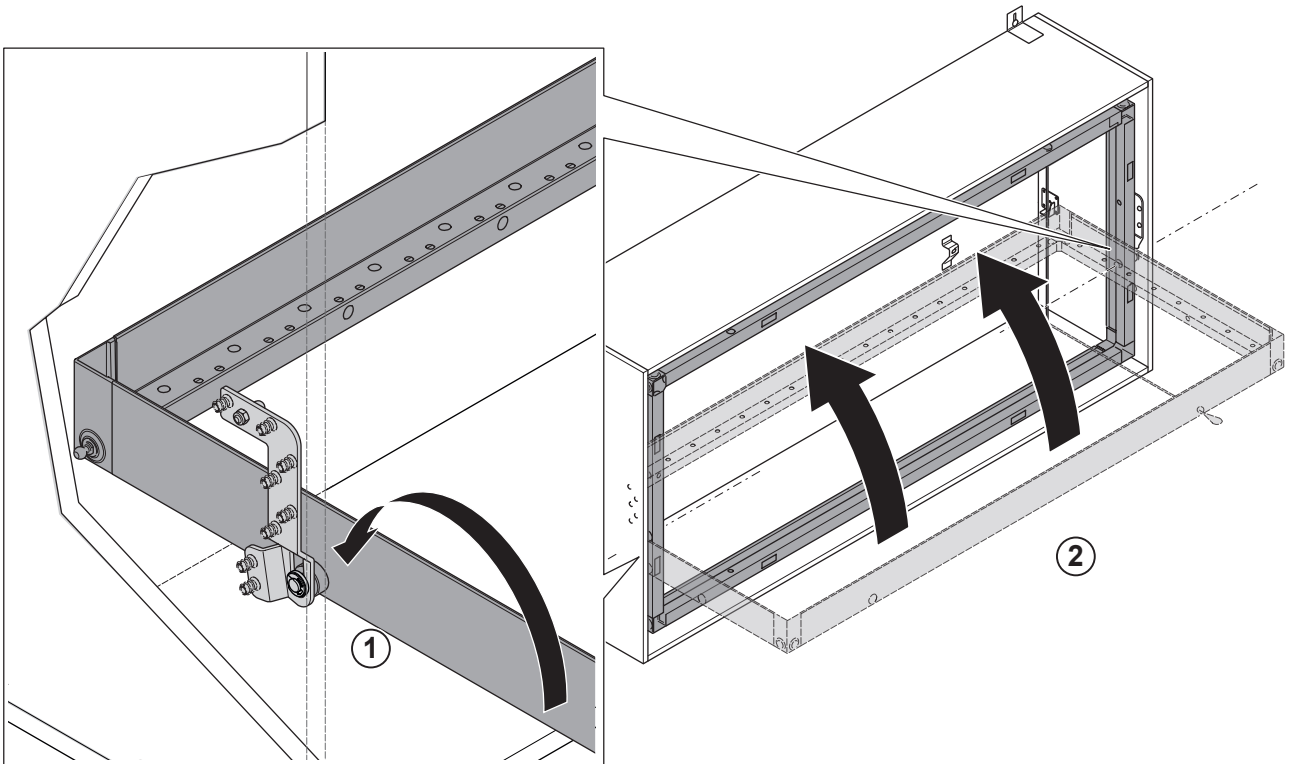
732.22.283



[WS132]

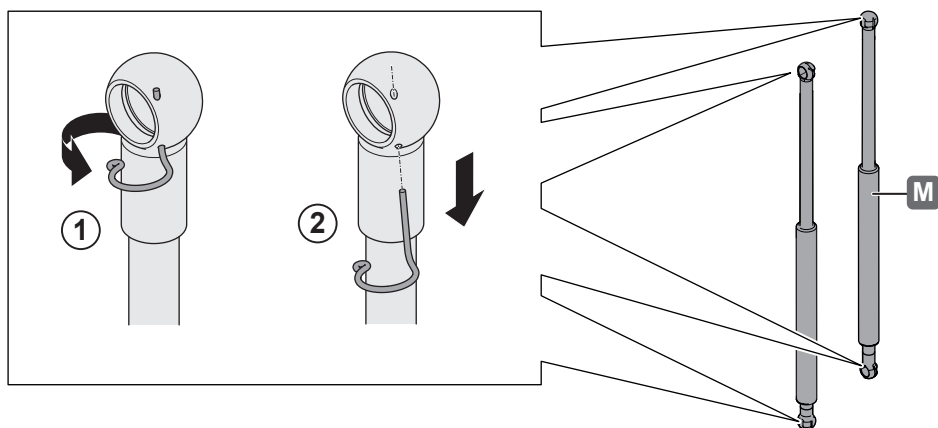
HDE 16.04.2024

12



732.22.283

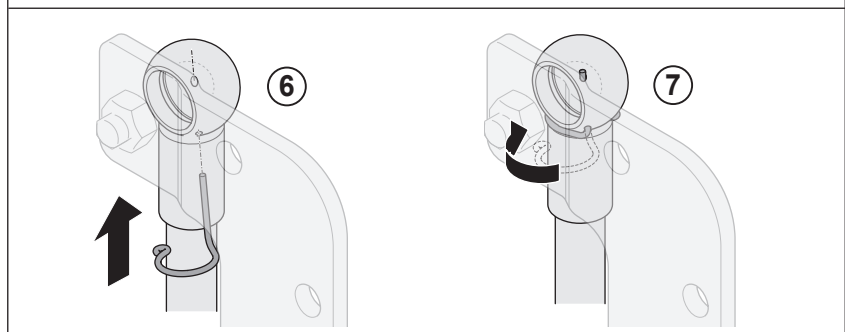
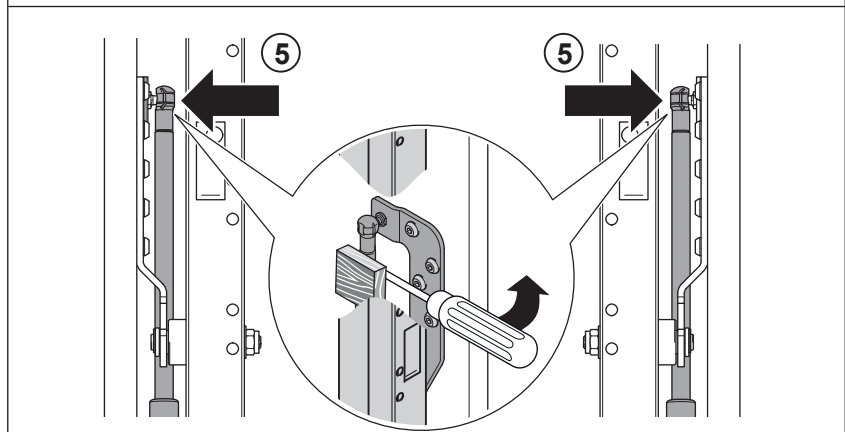
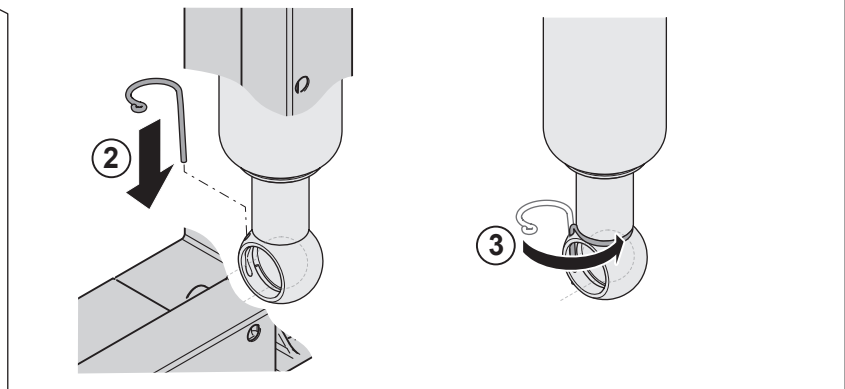
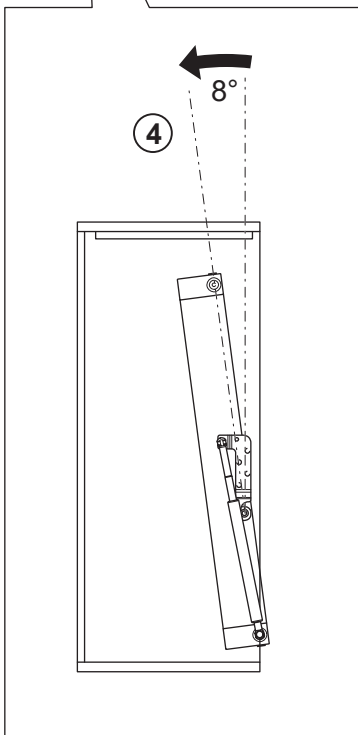
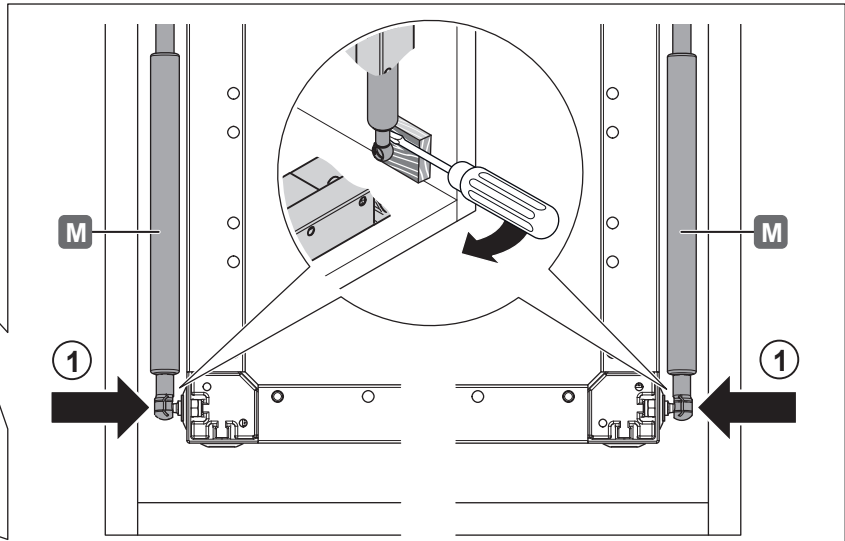
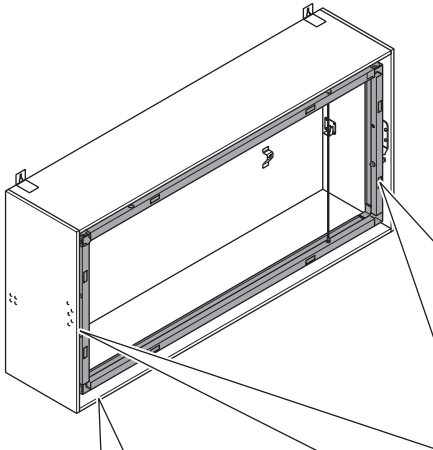
13



[WS132]

HDE 16.04.2024

14

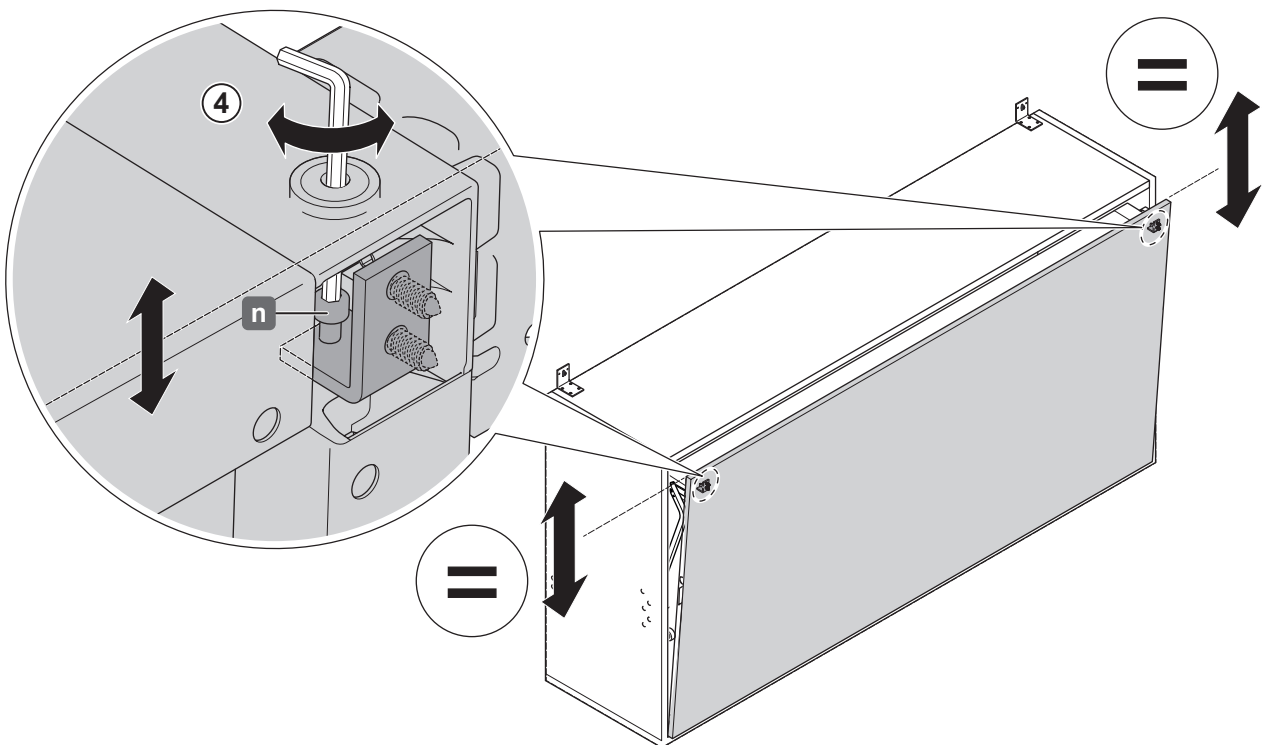
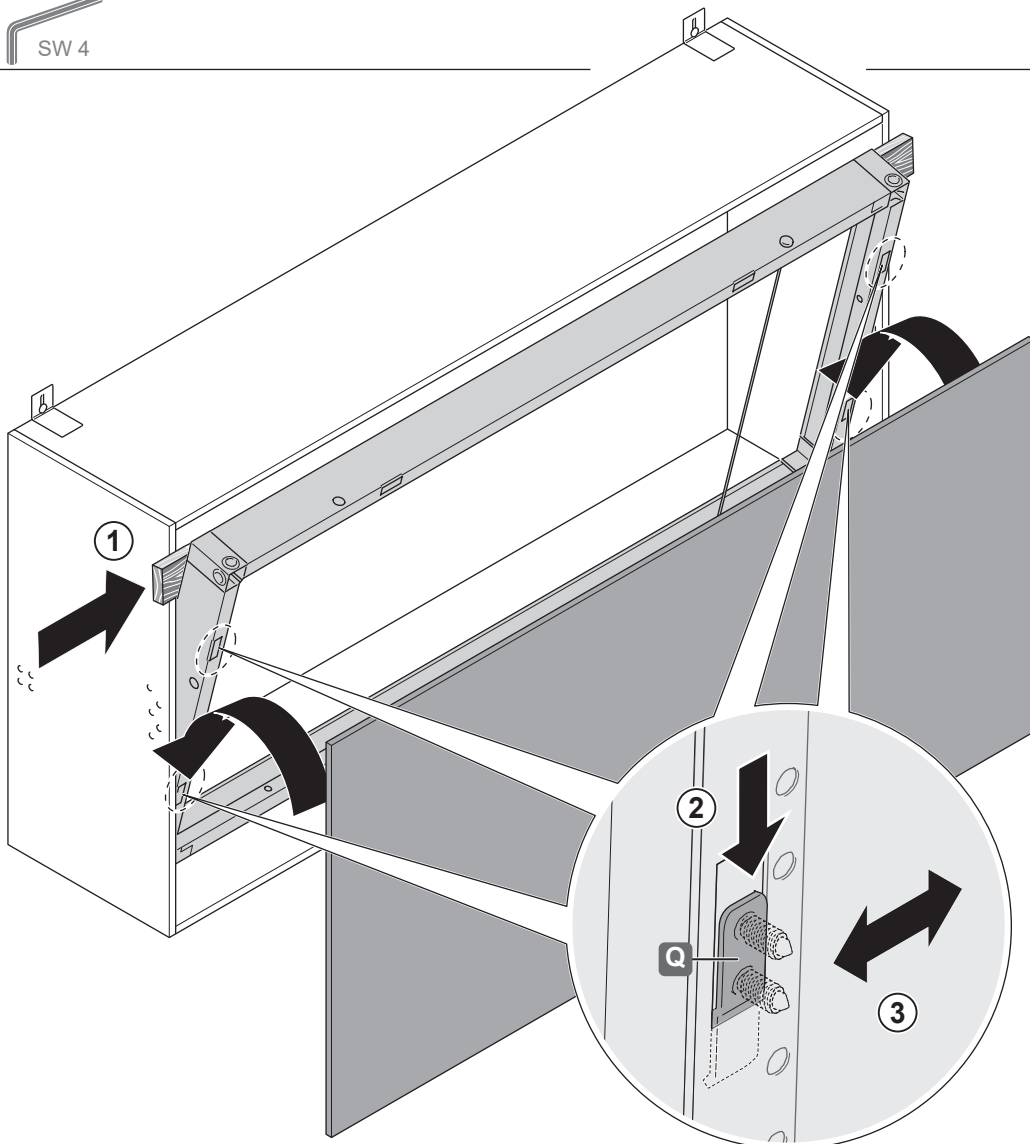


732.22.283

[WS132]

HDE 16.04.2024

15

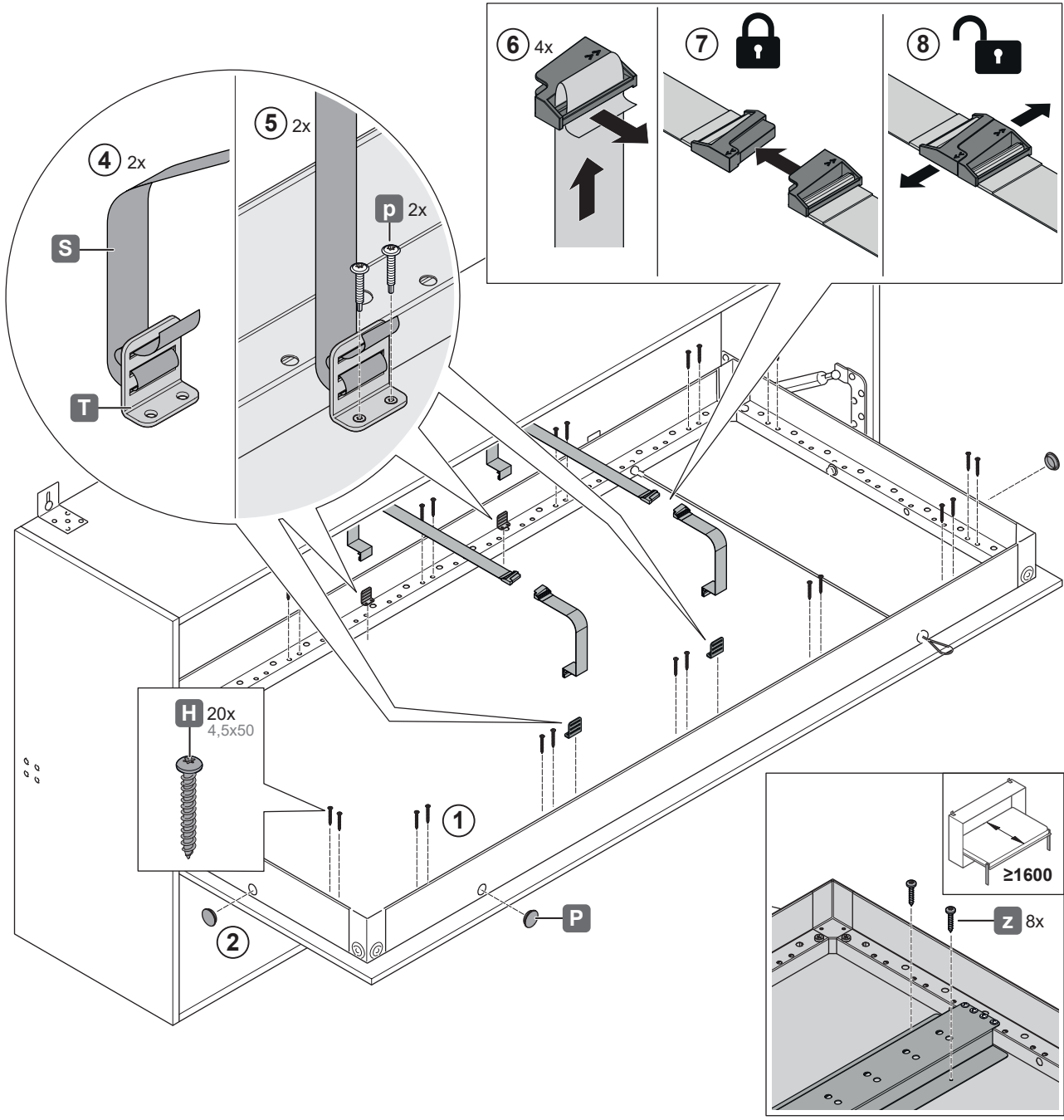


732.22.283

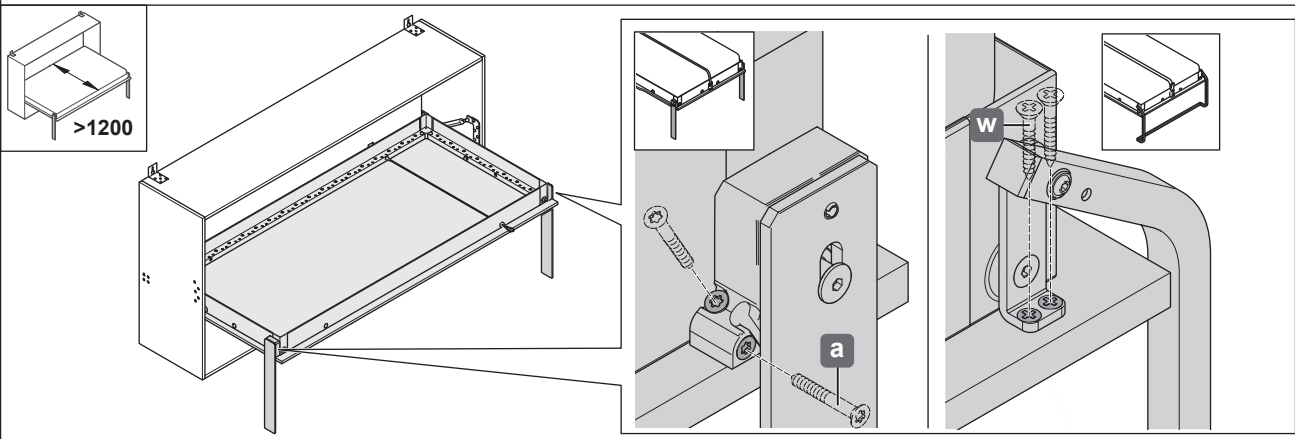
[WS132]

HDE 16.04.2024

16



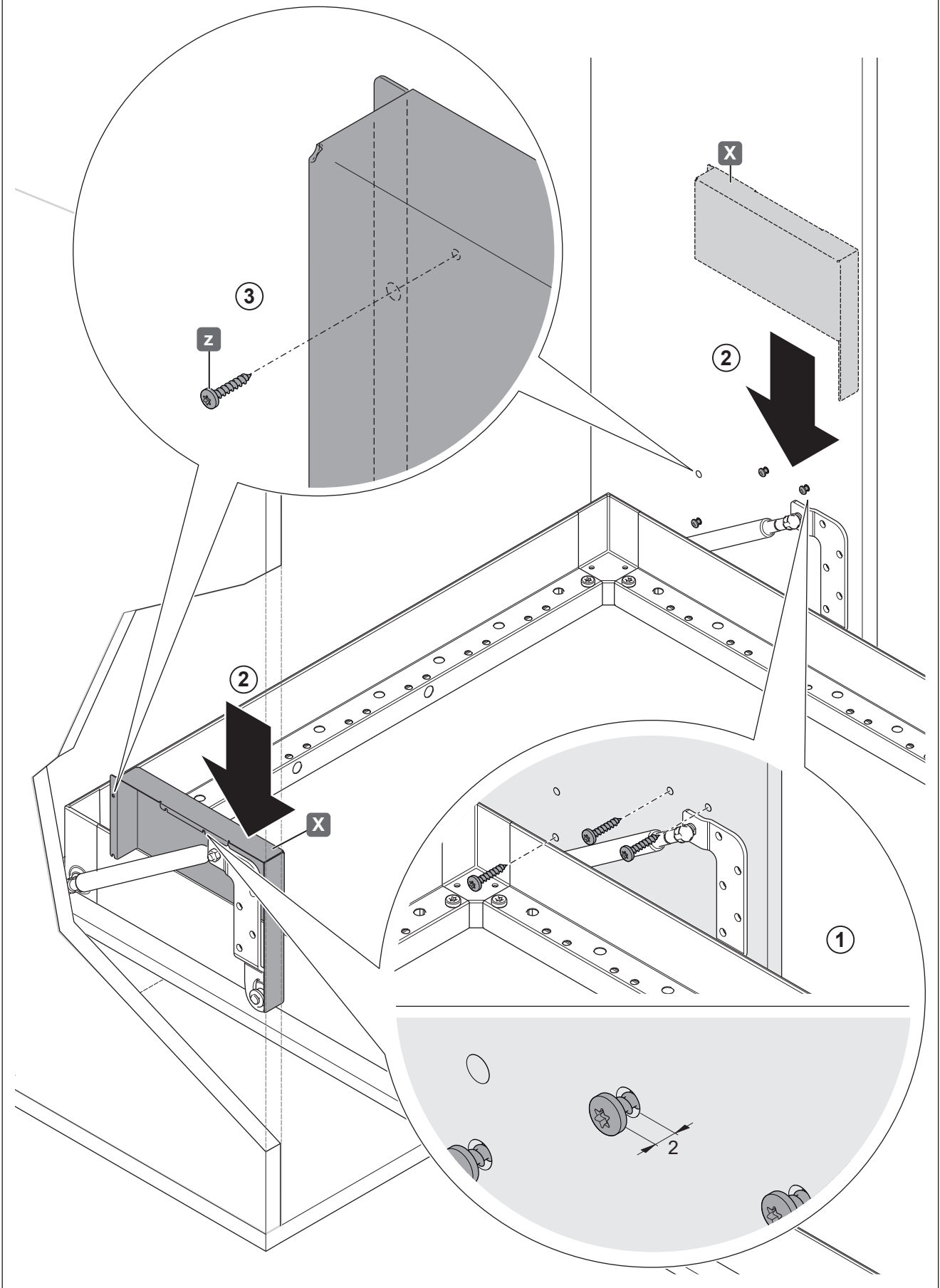
732.22.283



[WS132]

HDE 16.04.2024

17

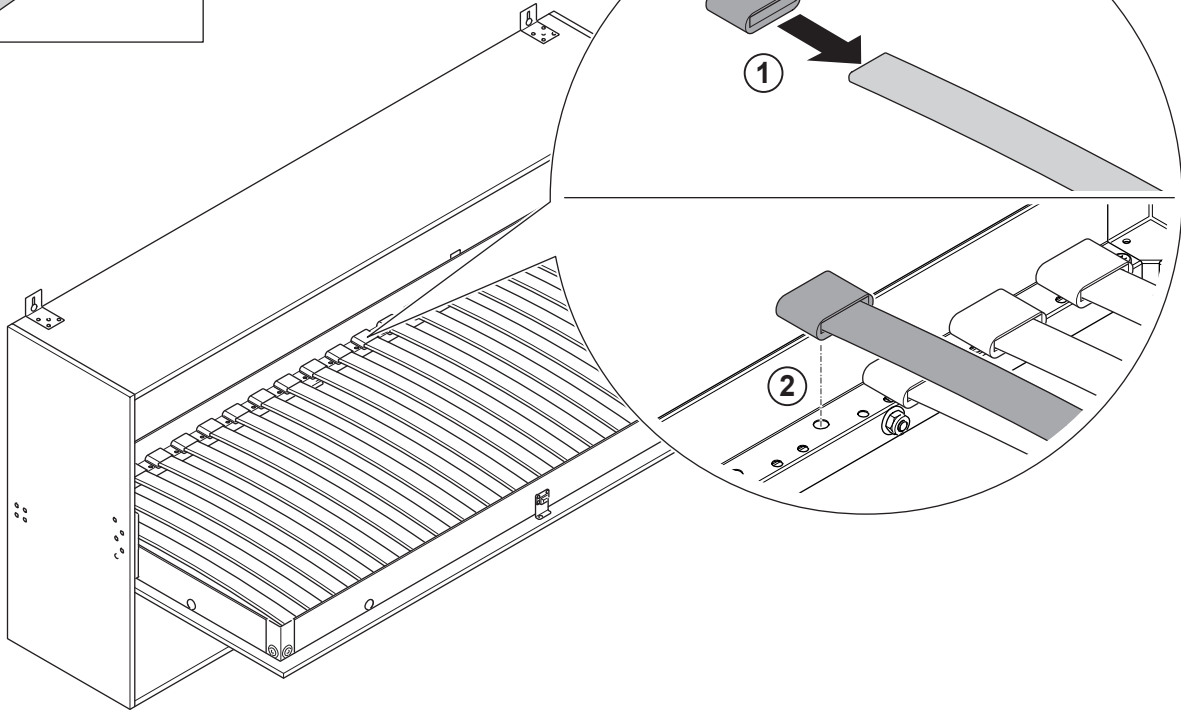
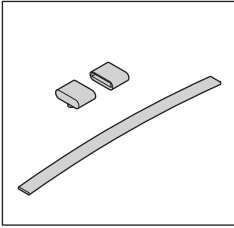


732.22.283

[WS132]

HDE 16.04.2024

i



732.22.283

[WS132]

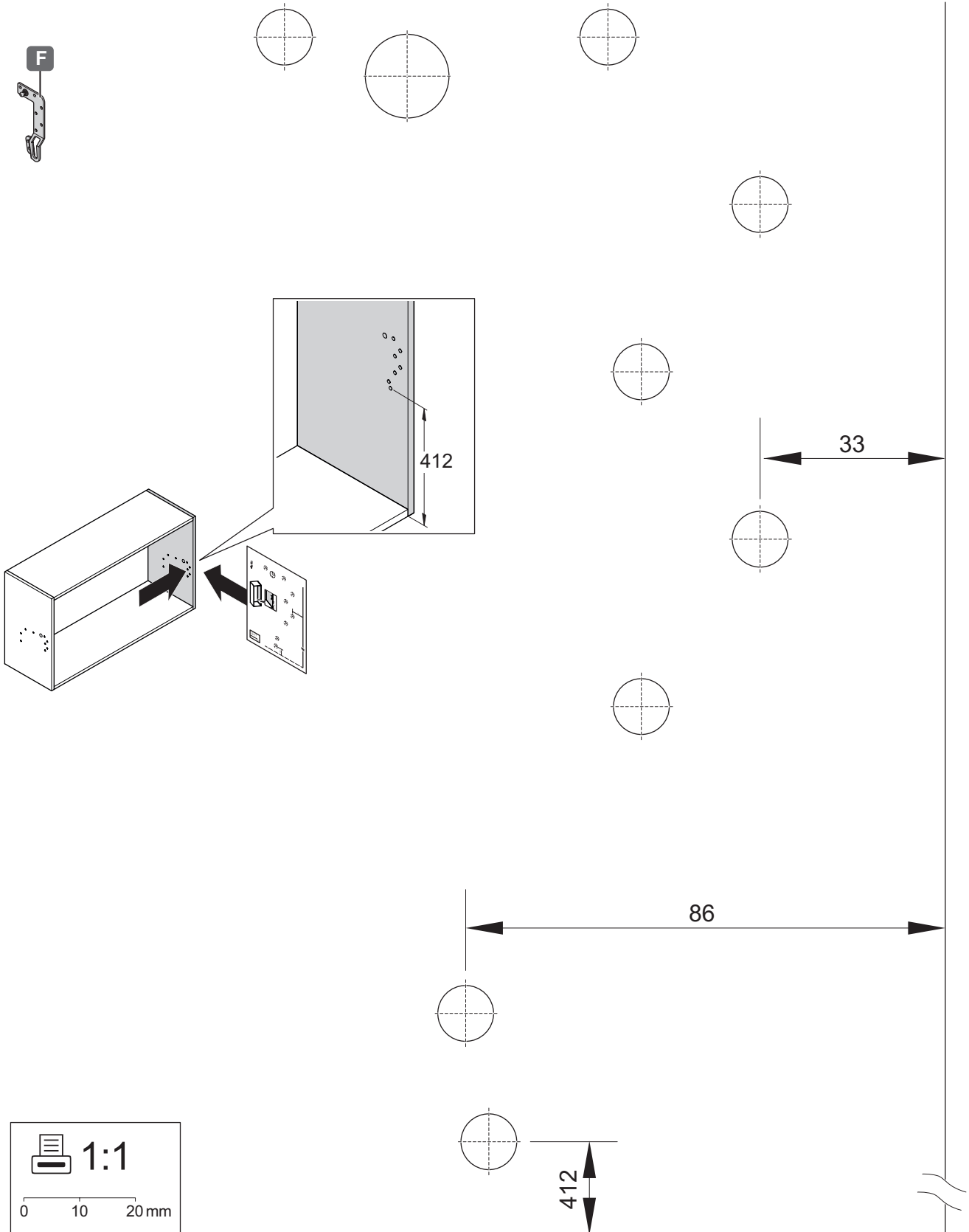
HDE 16.04.2024



732.22.283

[WS132]

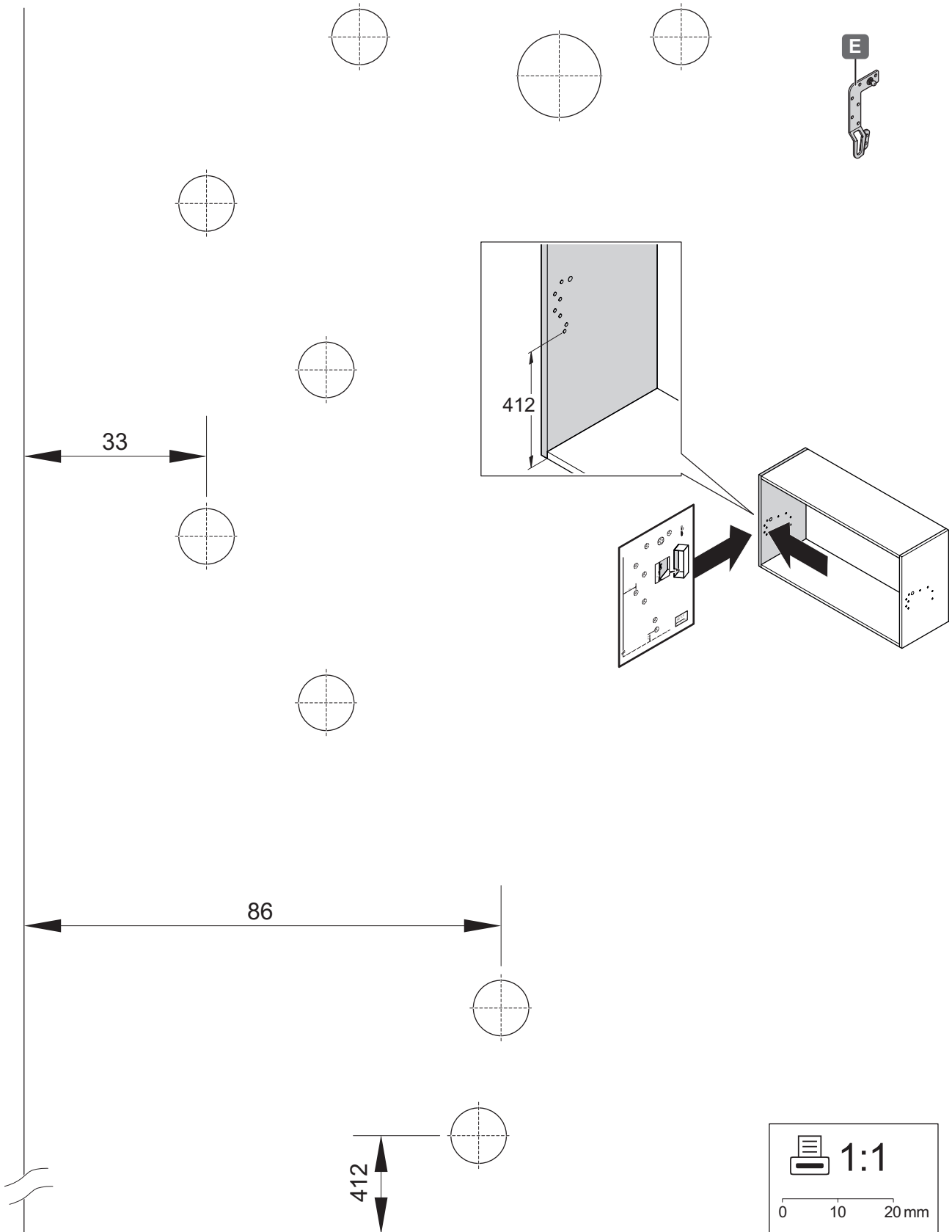
HDE 16.04.2024

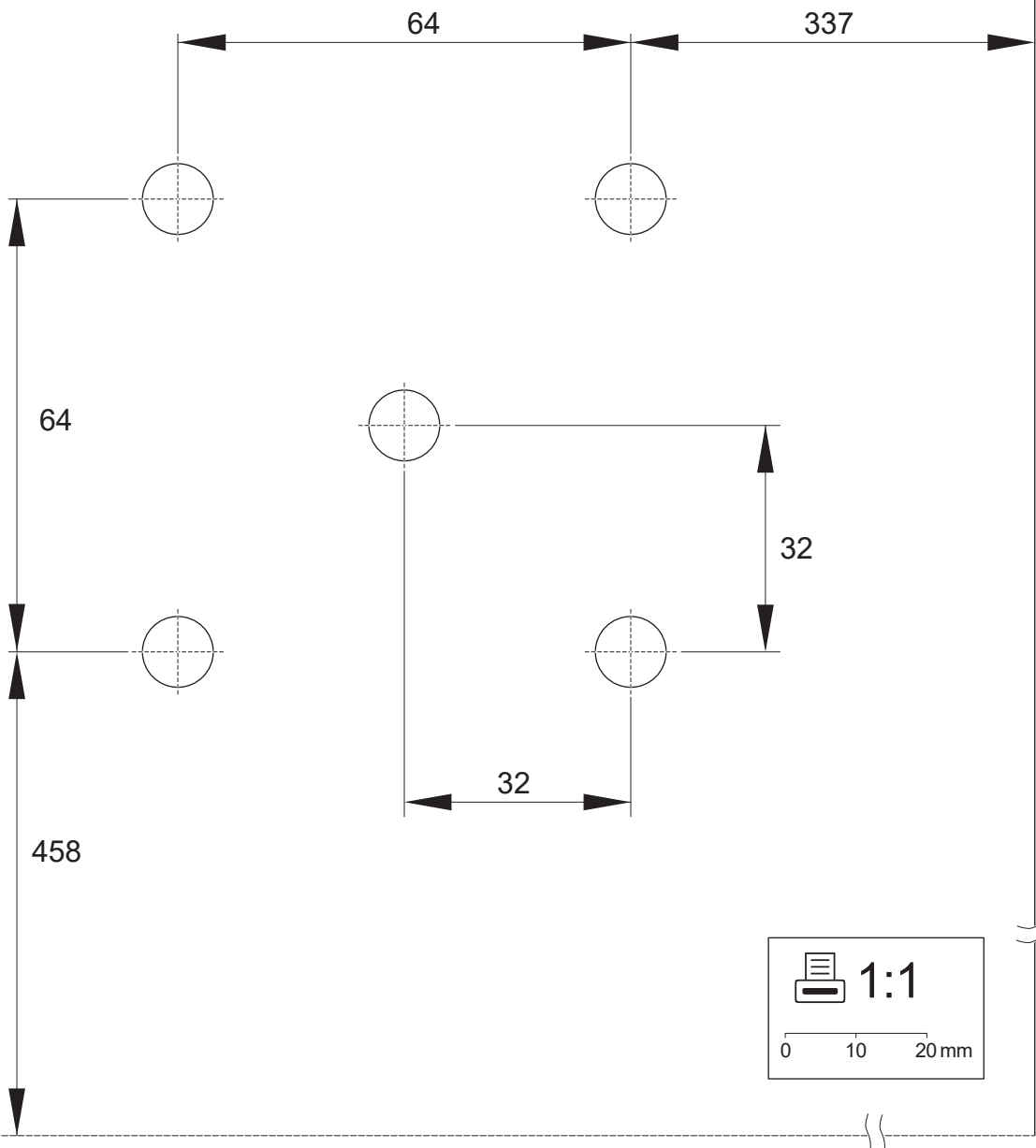
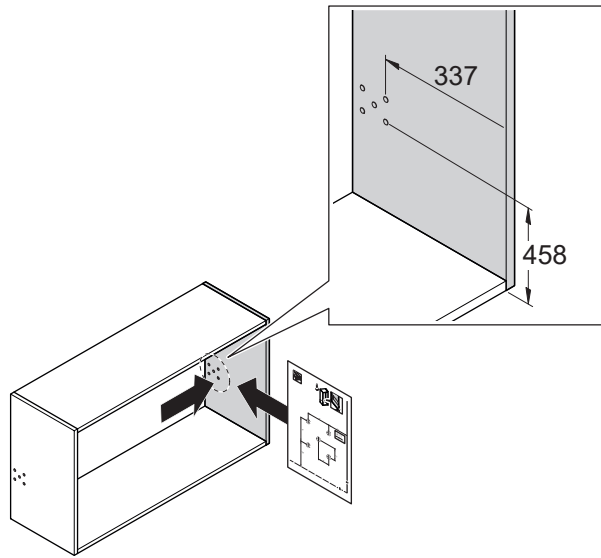
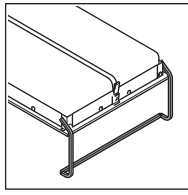


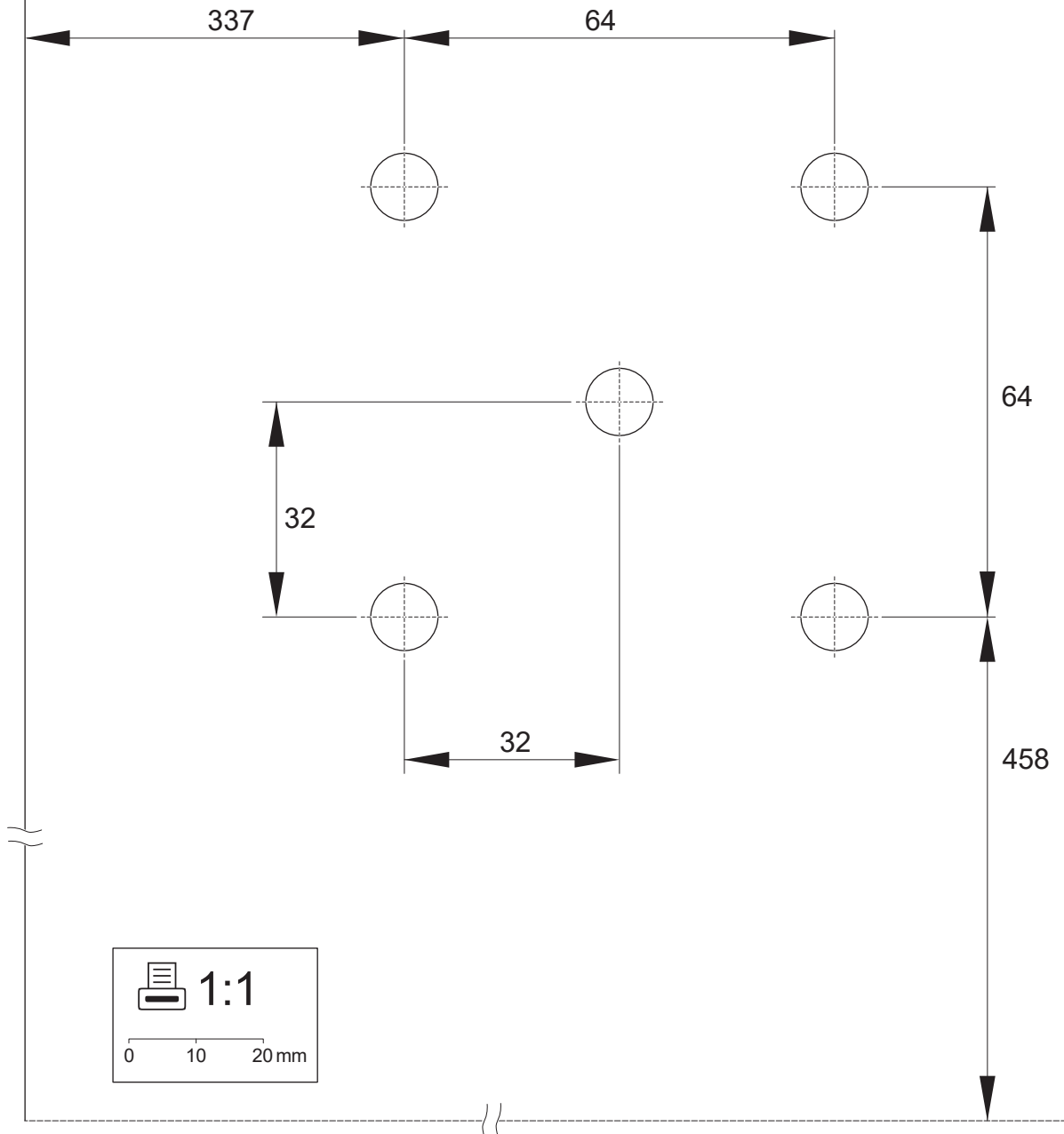
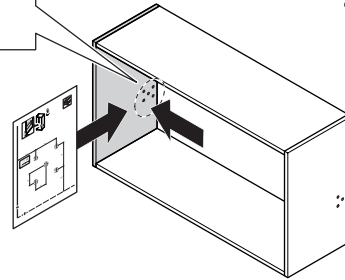
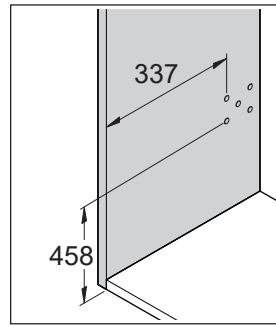
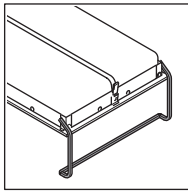
732.22.283

[WS132]

HDE 16.04.2024



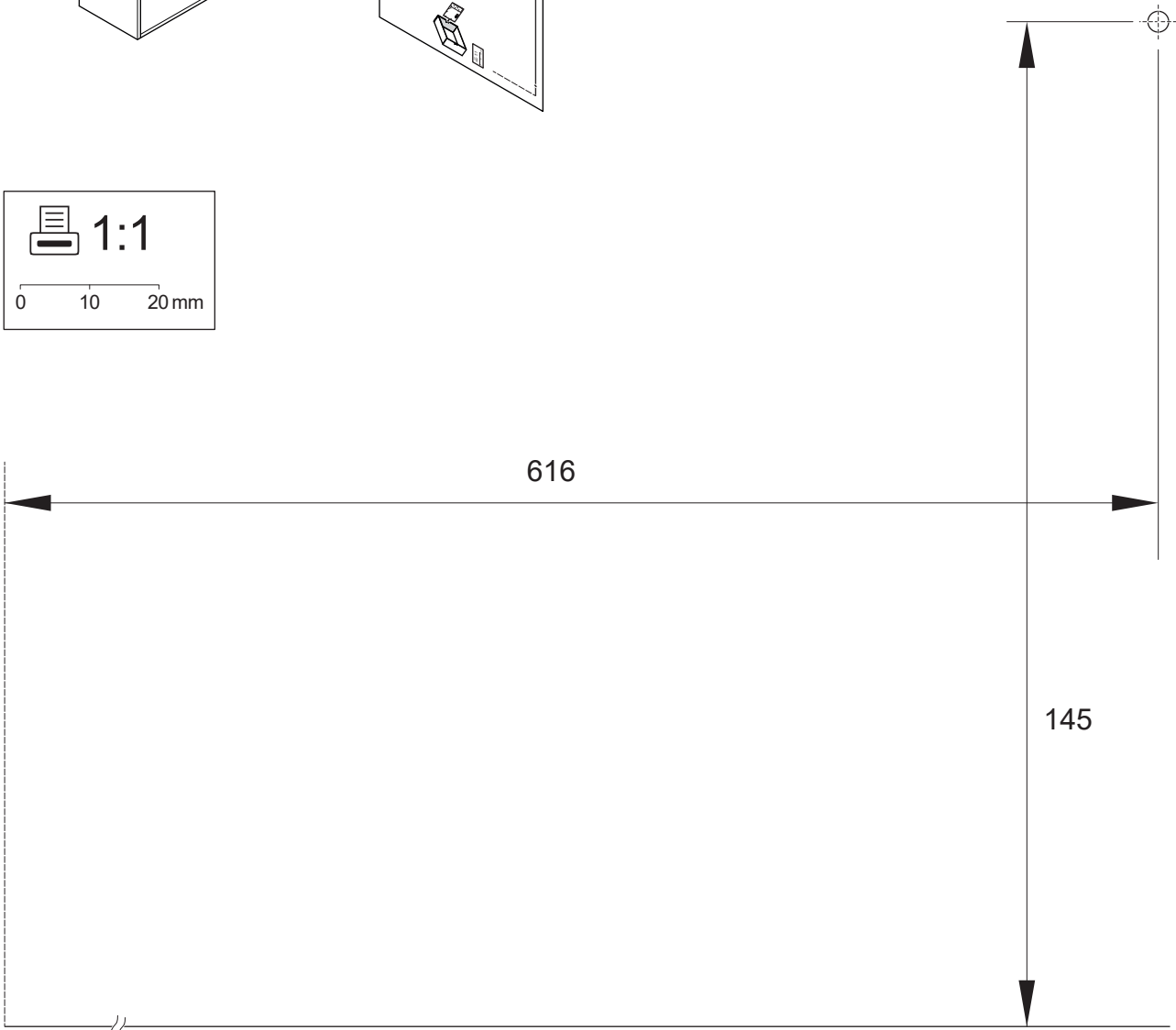
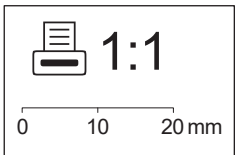
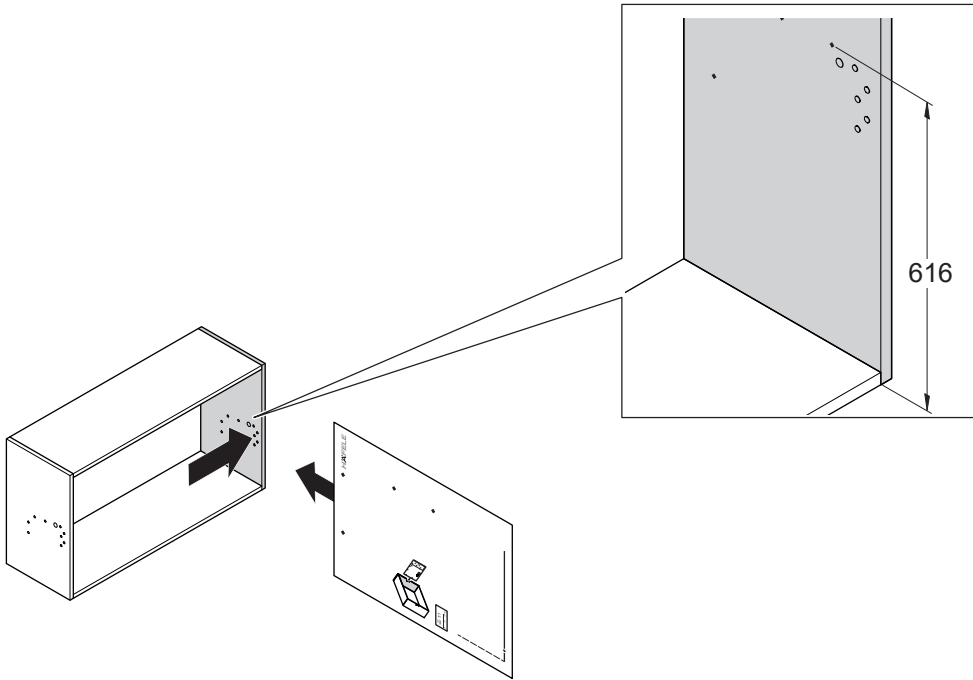
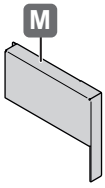


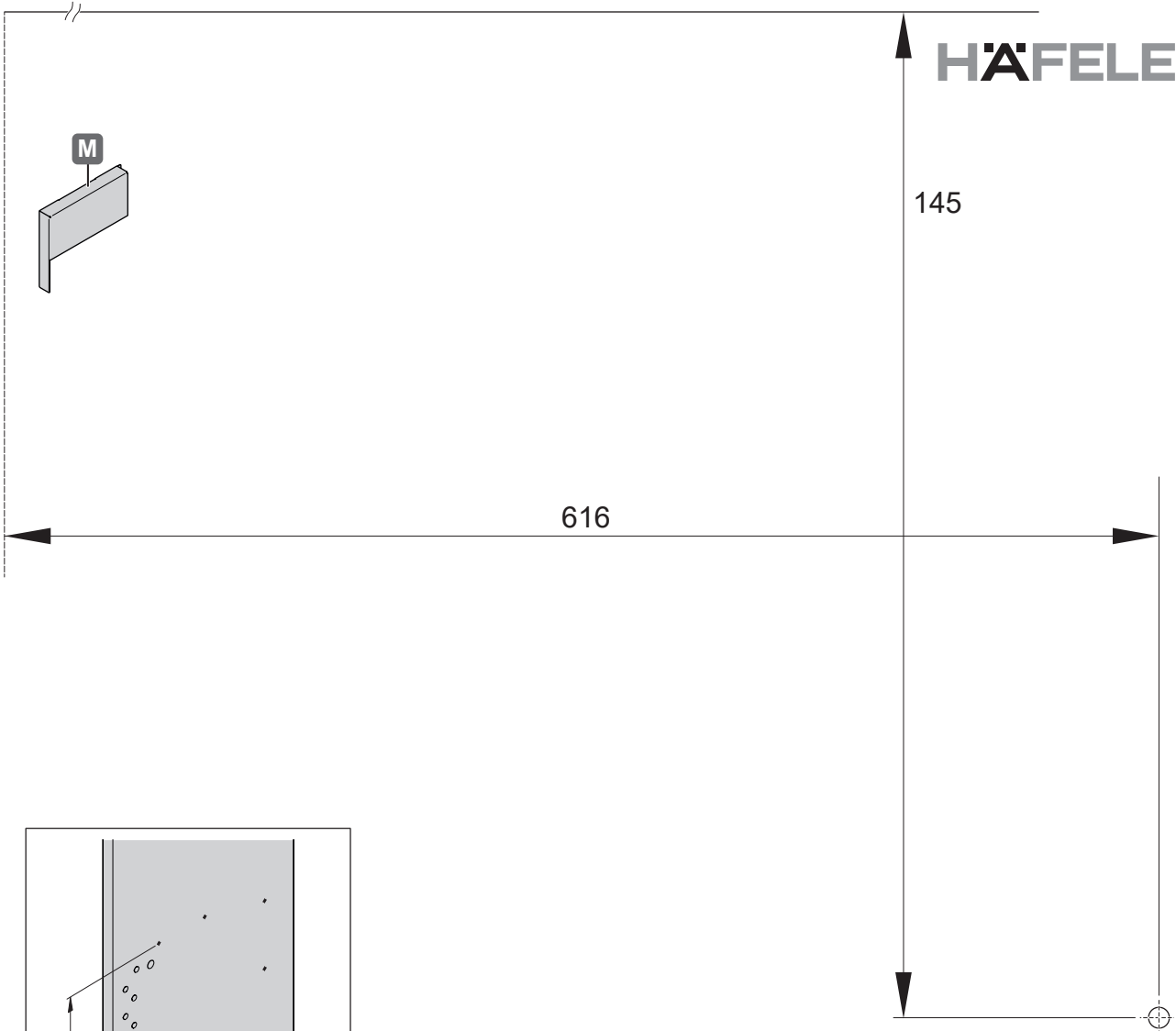


732.22.283

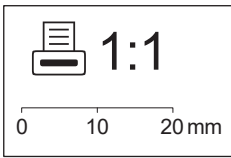
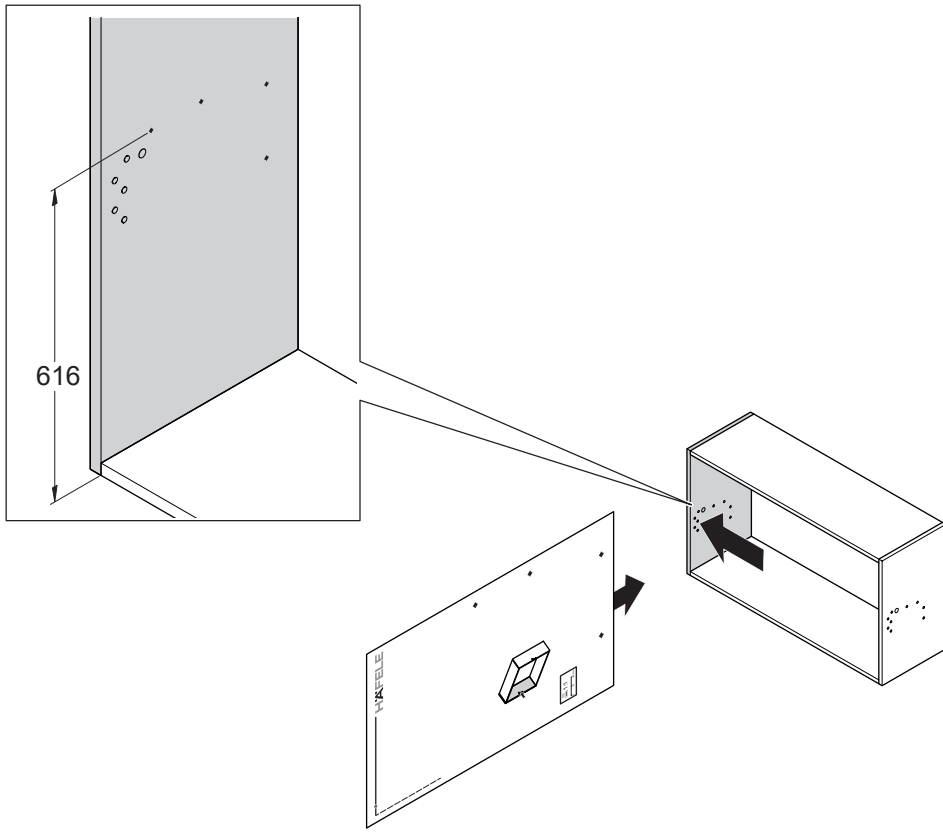
[WS132]

HDE 16.04.2024





732.22.283



[WS132]

HDE 16.04.2024



