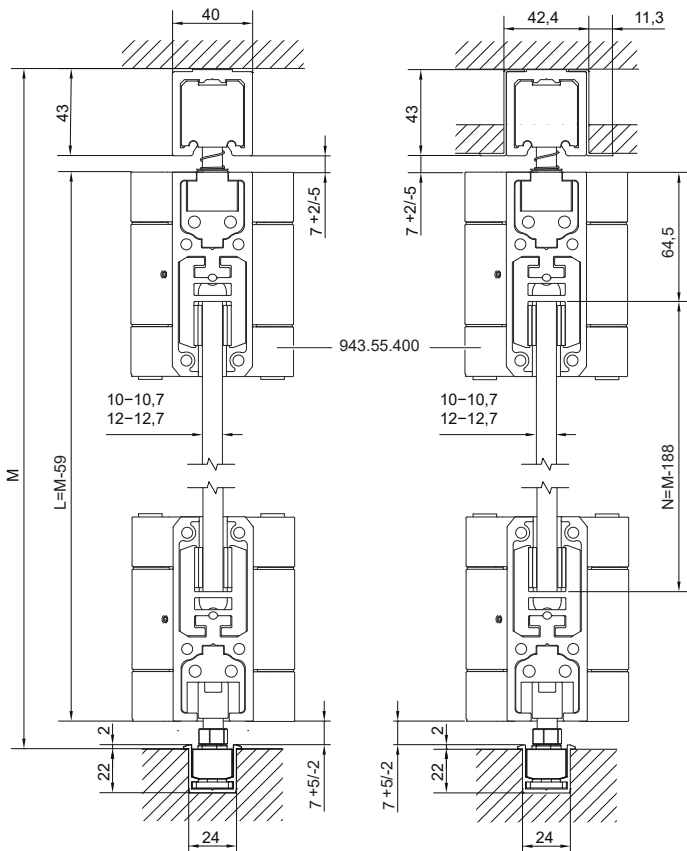




Slido W-Fold32 100G

943.55.021 943.55.023
943.55.030 943.55.032

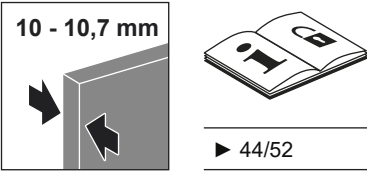
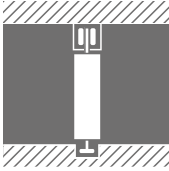
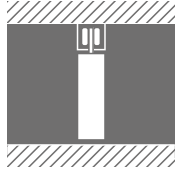
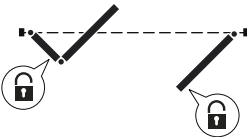
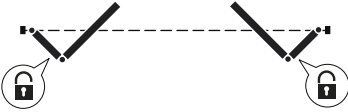

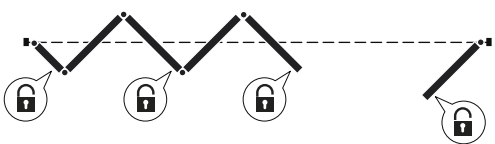
i



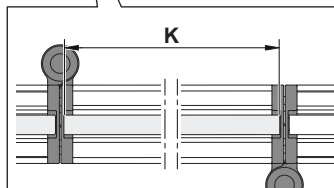
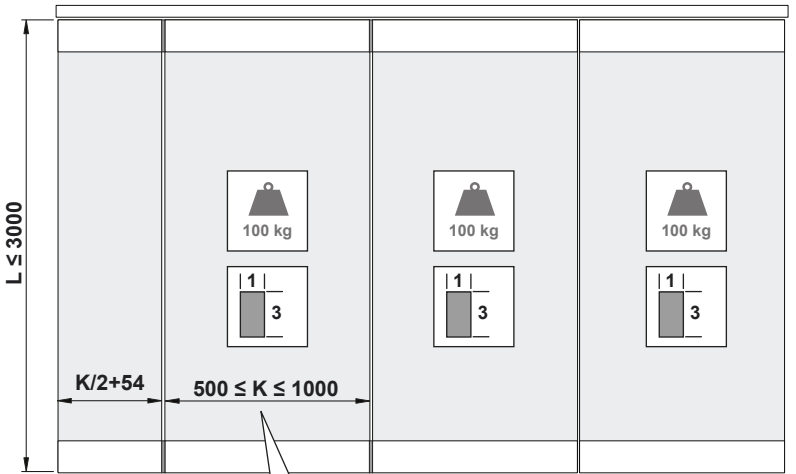
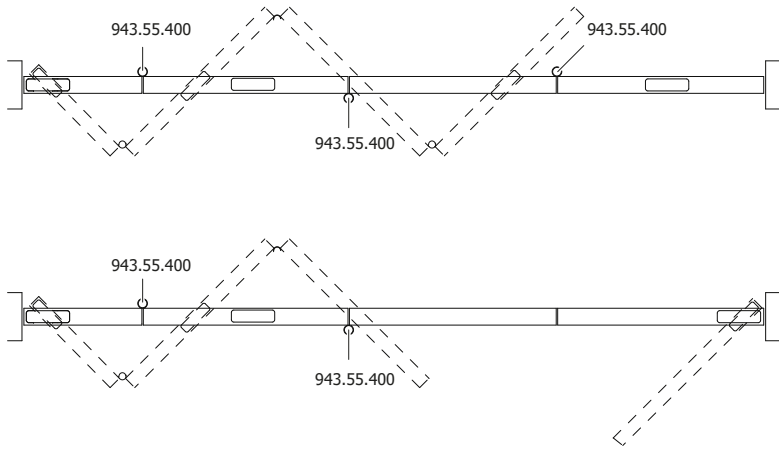
► 8/52

732.29.864

HDE 25.08.2022

 <p>10 - 10,7 mm</p> <p>▶ 44/52</p>		
	<ul style="list-style-type: none"> 943.55.021: 1x 943.55.026: 1x 943.55.041: 1x 943.55.051: 1x (943.55.061: 2x) 943.55.502: 2x 943.55.501: 1x 943.55.400: 1x 943.55.401: 2x 943.55.404: 2x 943.55.406: 1x 943.55.402: 1x 943.55.405: 1x 	<ul style="list-style-type: none"> 943.55.023: 1x 943.55.027: 1x 943.55.041: 1x (943.55.061: 2x) 943.55.502: 2x 943.55.501: 1x 943.55.400: 1x 943.55.401: 2x 943.55.403: 2x 943.55.073: 2x 943.55.406: 1x 943.55.402: 1x 943.55.405: 1x
	<ul style="list-style-type: none"> 943.55.021: 2x 943.55.040: 1x 943.55.050: 1x (943.55.060: 2x) 943.55.502: 2x 943.55.501: 2x 943.55.400: 2x 943.55.401: 2x 943.55.404: 2x 943.55.406: 1x 943.55.402: 1x 943.55.405: 1x 	<ul style="list-style-type: none"> 943.55.023: 2x 943.55.040: 1x (943.55.060: 2x) 943.55.502: 2x 943.55.501: 2x 943.55.400: 2x 943.55.401: 2x 943.55.403: 2x 943.55.073: 2x 943.55.406: 1x 943.55.402: 1x 943.55.405: 1x
	<ul style="list-style-type: none"> 943.55.021: 1x 943.55.024: 1x 943.55.040: 1x 943.55.050: 1x (943.55.060: 2x) 943.55.502: 3x 943.55.501: 1x 943.55.400: 3x 943.55.401: 1x 943.55.404: 2x 943.55.406: 1x 943.55.402: 1x 943.55.405: 1x 	<ul style="list-style-type: none"> 943.55.023: 1x 943.55.028: 1x 943.55.041: 1x (943.55.061: 2x) 943.55.502: 3x 943.55.501: 1x 943.55.400: 3x 943.55.401: 1x 943.55.403: 2x 943.55.073: 2x 943.55.406: 1x 943.55.402: 1x 943.55.405: 1x
	<ul style="list-style-type: none"> 943.55.021: 1x 943.55.024: 1x 943.55.025: 1x 943.55.026: 1x 943.55.040: 1x 943.55.050: 1x (943.55.060: 2x) 943.55.502: 5x 943.55.501: 1x 943.55.400: 4x 943.55.401: 2x 943.55.404: 4x 943.55.406: 1x 943.55.402: 2x 943.55.405: 1x 	<p>—</p>

i



732.29.864

HDE 25.08.2022



943.55.021
943.55.030

A 1x **C** 1x **E** 1x **G** 1x 4x **Ö** 4x **X**

B 1x **D** 1x **F** 1x **H** 1x 1x **I** 1x **J**

+ **943.55.024**
943.55.033

E 1x **G** 1x 8x **X**

F 1x **H** 1x

+ **943.55.025**
943.55.034

V 1x **W** 1x 4x **X**

+ **943.55.026**
943.55.035

A 1x **C** 1x 4x **X** 1x **V**

B 1x **D** 1x 1x **W**

732.29.864

HDE 25.08.2022



<p>+ 943.55.060 943.55.061</p> <p>1x L</p>	<p>+ 943.55.040 943.55.041</p> <p>1x M</p>	<p>+ 943.55.050 943.55.051</p> <p>1x K</p>	<p>+ 943.55.502 943.55.501 943.55.500</p> <p>1x O</p>
<p>+ 943.55.400</p> <p>2x N</p>	<p>+ 943.55.404</p> <p>P 1x Q 2x</p>	<p>+ 943.55.405</p> <p>R 1x</p>	<p>+ 943.55.080</p> <p>1x U</p>
<p>+ 943.55.401</p> <p>4x Y</p>	<p>+ 943.55.406</p> <p>Z 1x</p>	<p>+ 943.55.402</p> <p>Ä 1x</p>	
<p>+ 943.55.703</p> <p>Ü1 1x Ü2 1x 1x Ü3 1x Ü4</p>			

732.29.864

HDE 25.08.2022



943.55.023
943.55.032

A 1x **C** 1x **E** 1x **G** 1x **4x Ö** **4x X**

B 1x **S** 1x **H** 1x **1x I** **1x J**

+ **943.55.028**
943.55.037

E 1x **G** 1x **H** 1x **8x X**

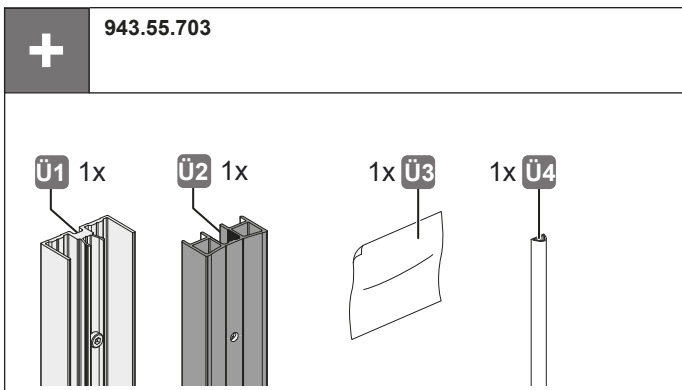
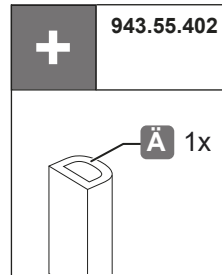
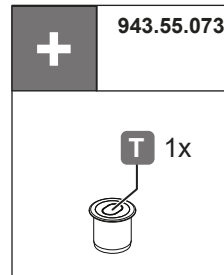
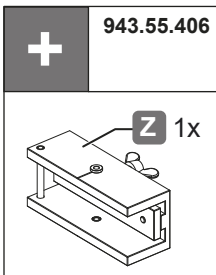
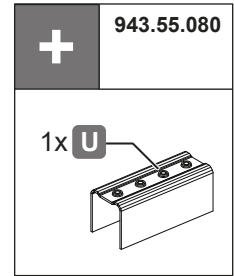
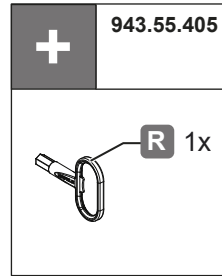
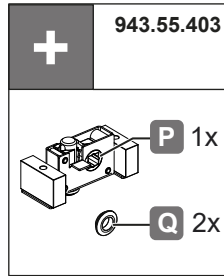
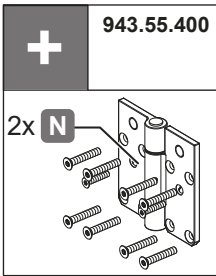
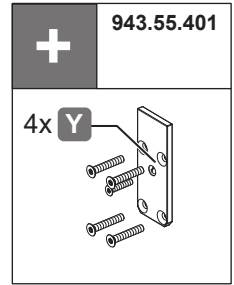
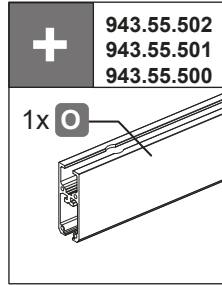
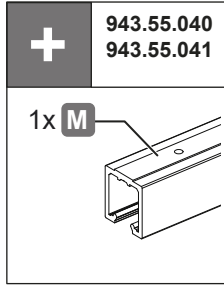
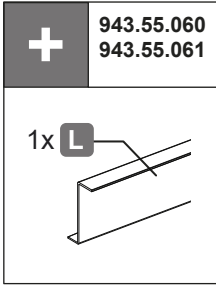
+ **943.55.027**
943.55.036

A 1x **C** 1x **4x X** **1x V**

B 1x **S** 1x

732.29.864

HDE 25.08.2022



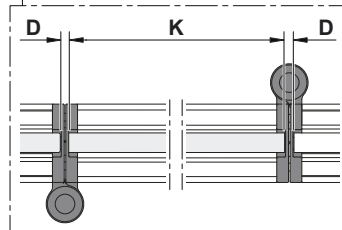
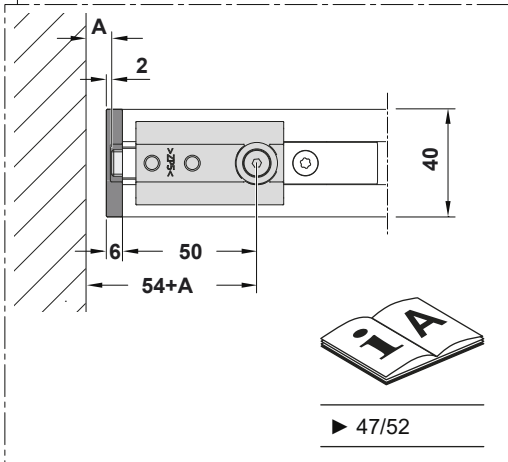
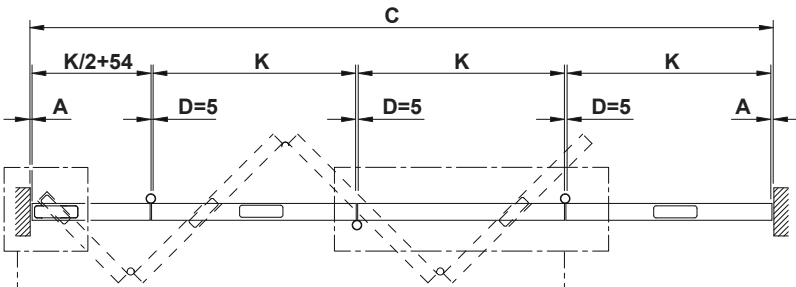
732.29.864

HDE 25.08.2022

i



$$K = (C - A - 54 - D - D - D - A) / 3,5$$



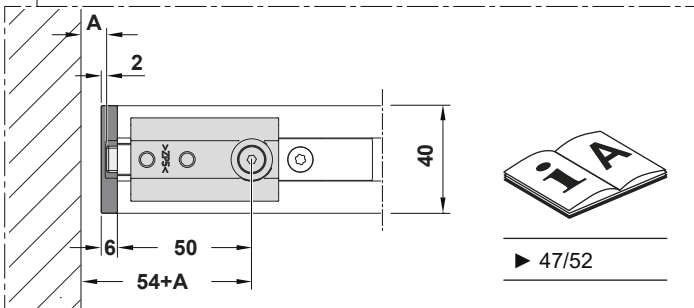
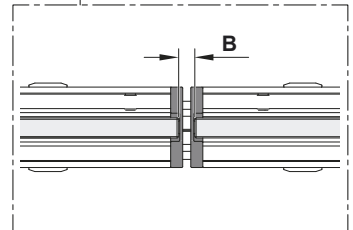
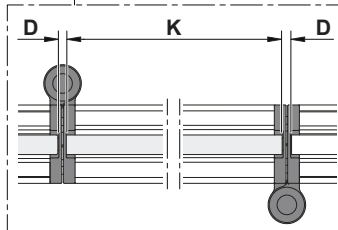
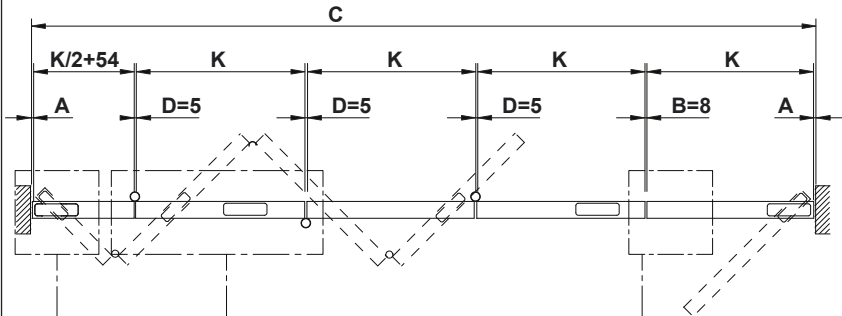
732.29.864

HDE 25.08.2022

i



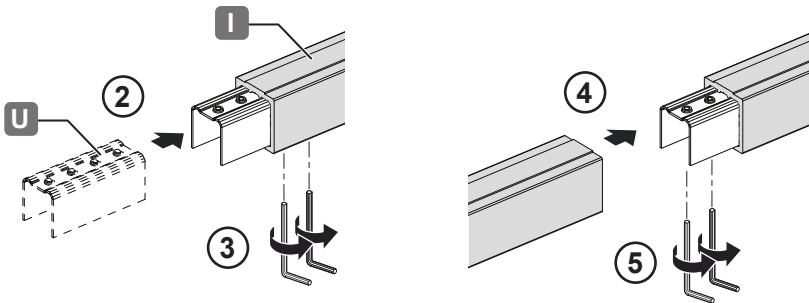
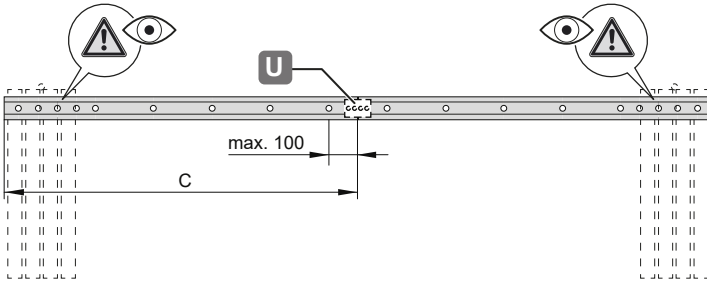
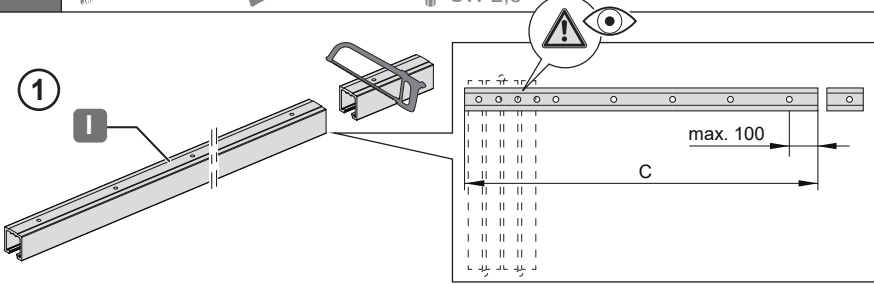
$$K = (C - A - 54 - D - D - E - A) / 4,5$$



732.29.864

HDE 25.08.2022

1



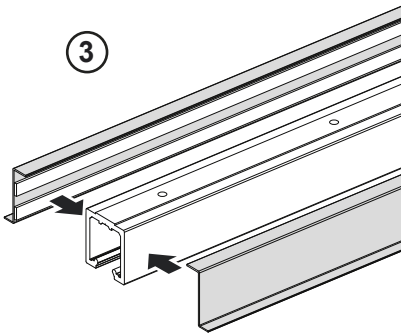
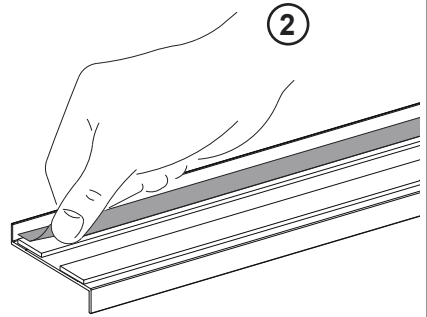
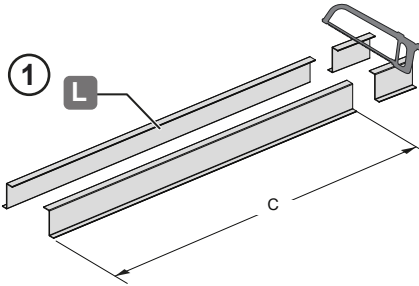
732.29.864

HDE 25.08.2022

2



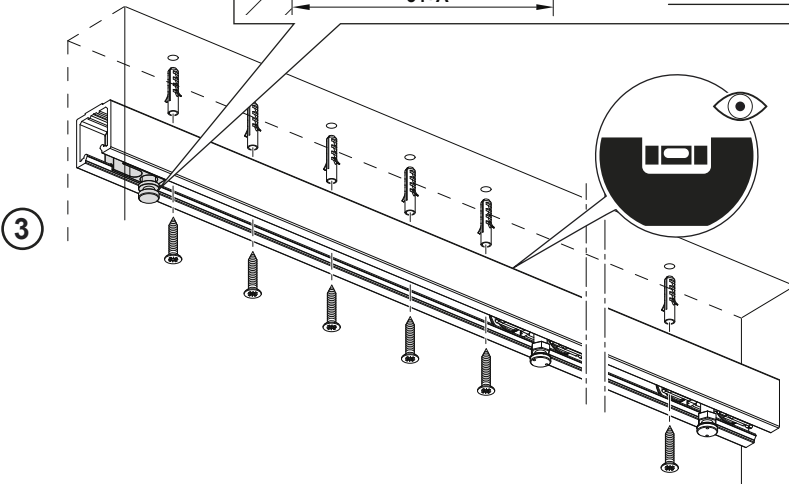
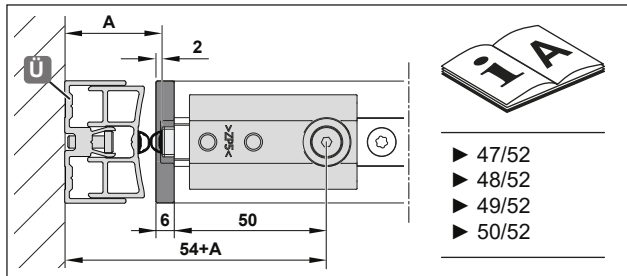
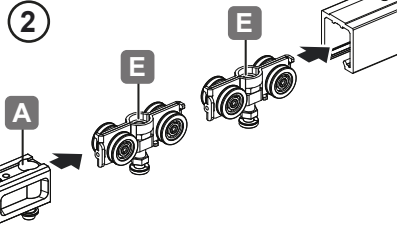
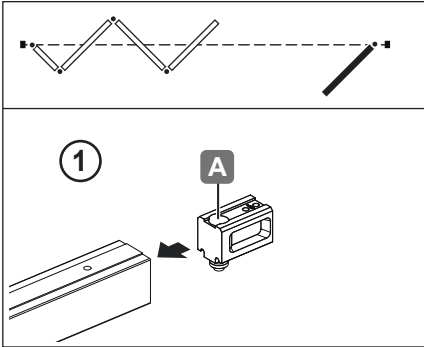
943.55.060
943.55.061



732.29.864

HDE 25.08.2022

3

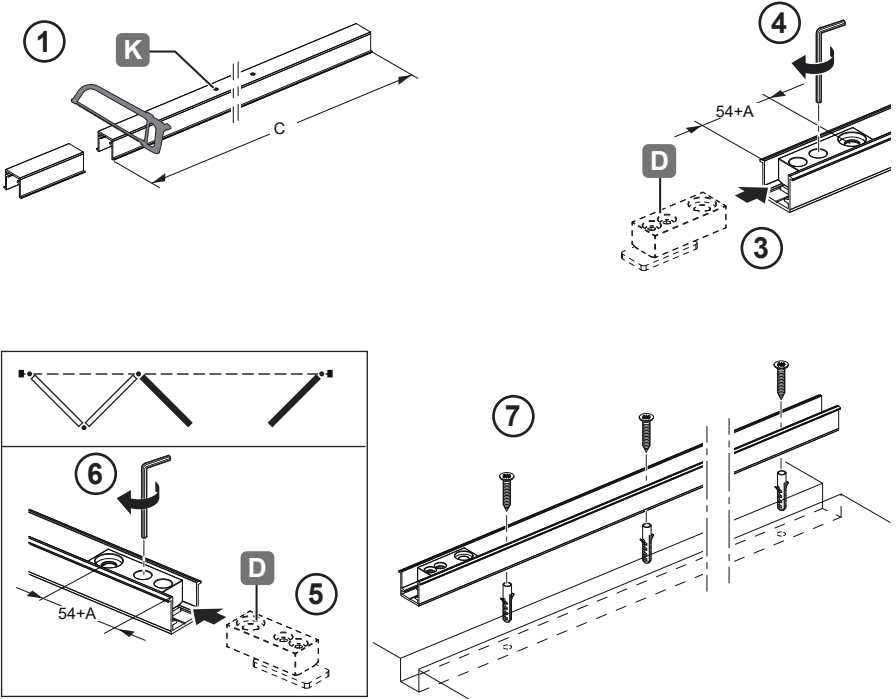


732.29.864

HDE 25.08.2022



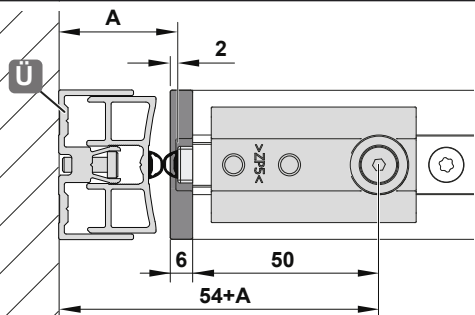
4



732.29.864

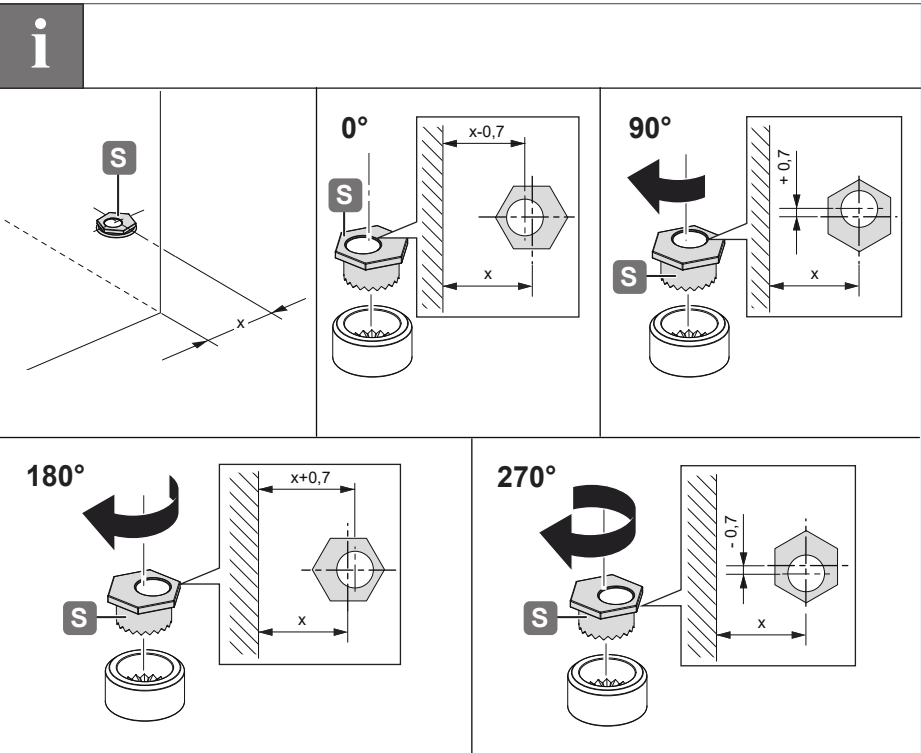
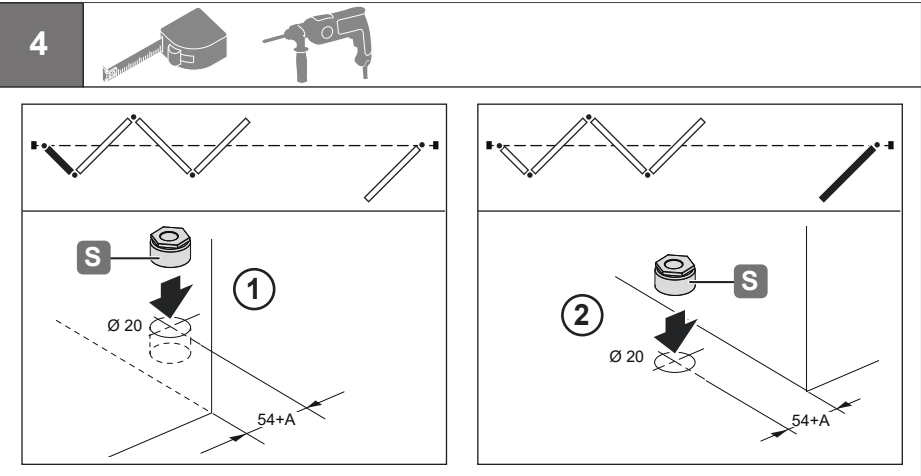
i

943.55.703

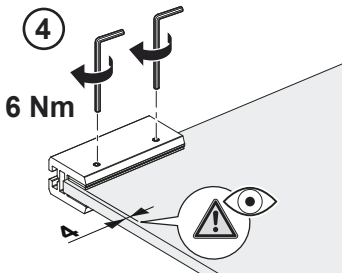
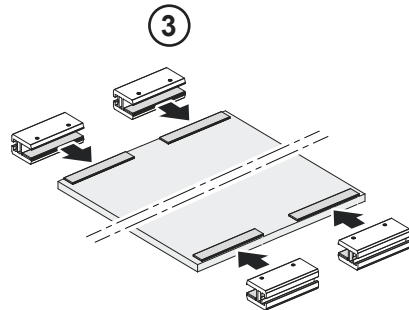
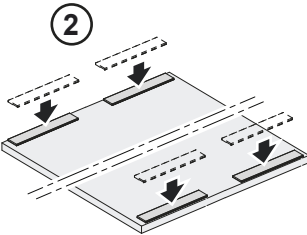
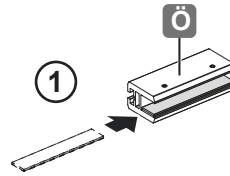
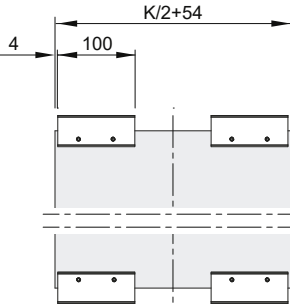
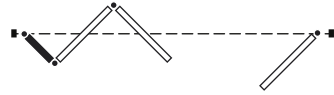


- ▶ 47/52
- ▶ 48/52
- ▶ 49/52
- ▶ 50/52

HDE 25.08.2022




5




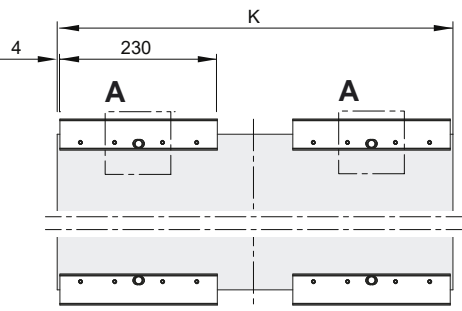
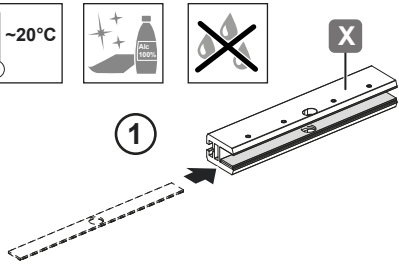
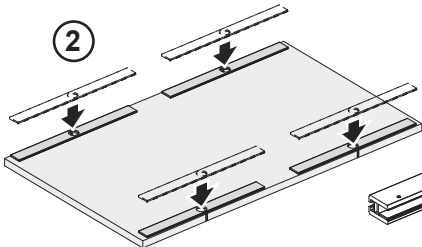
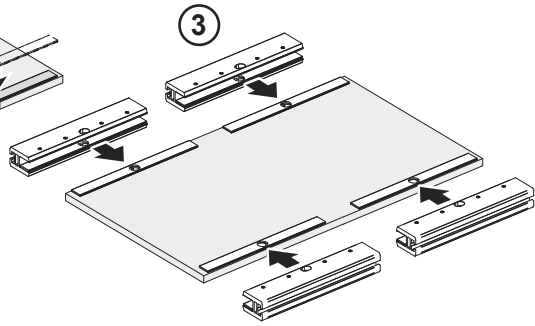
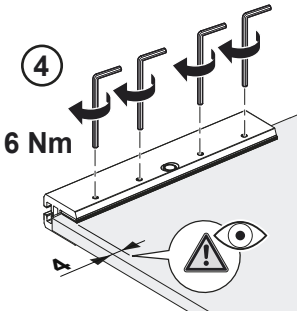
732.29.864

HDE 25.08.2022

5

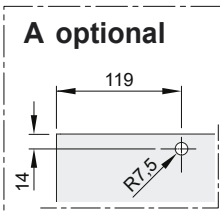
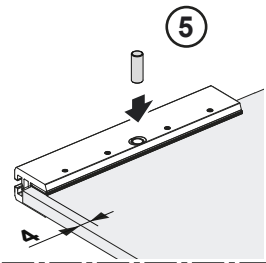


SW 3

6 Nm

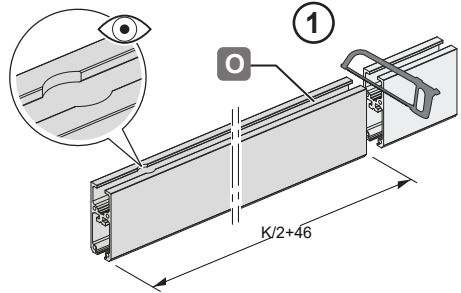
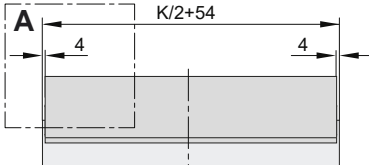
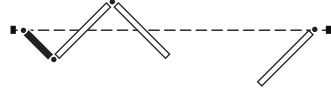
A optional

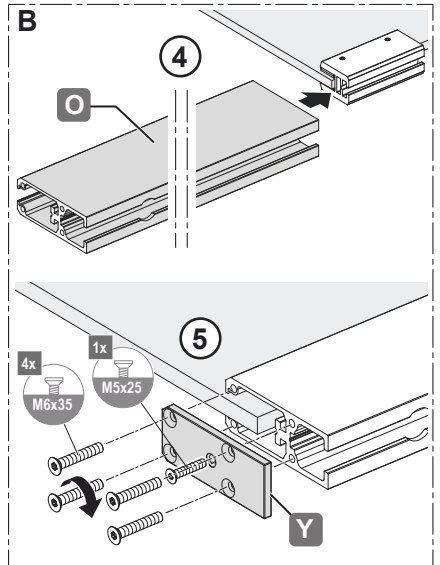
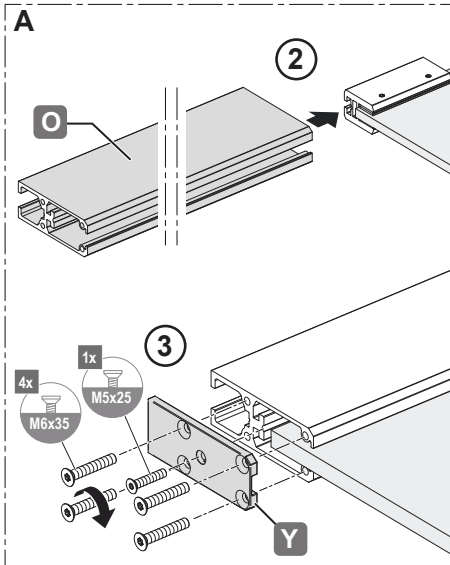
732.29.864

HDE 25.08.2022

6

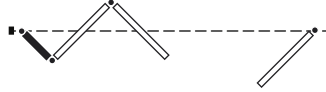


732.29.864

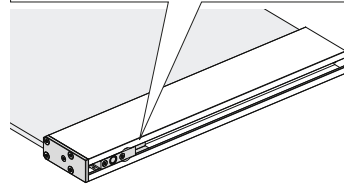
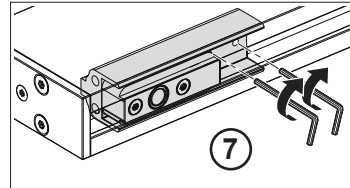
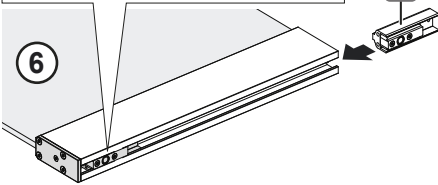
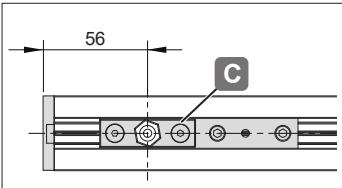


HDE 25.08.2022

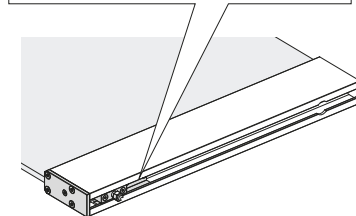
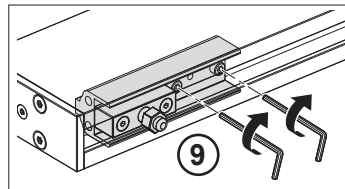
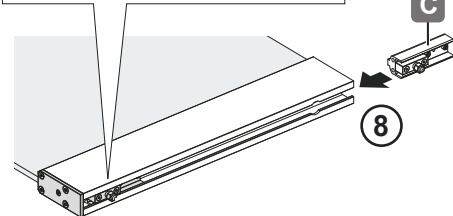
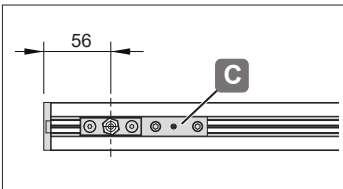
6



A



B



732.29.864

HDE 25.08.2022

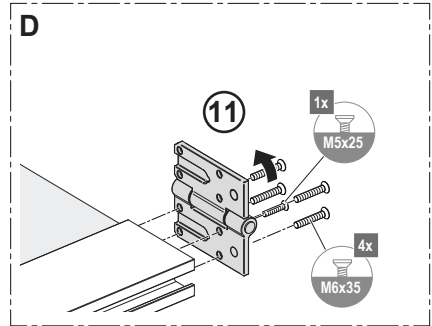
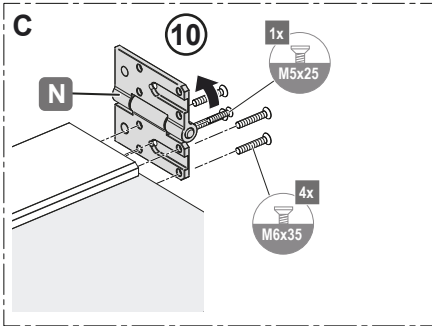
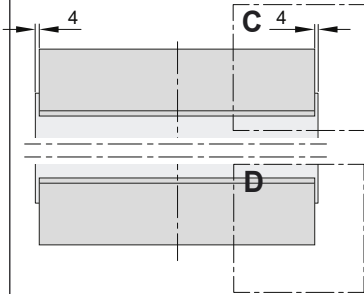
6



IS 30



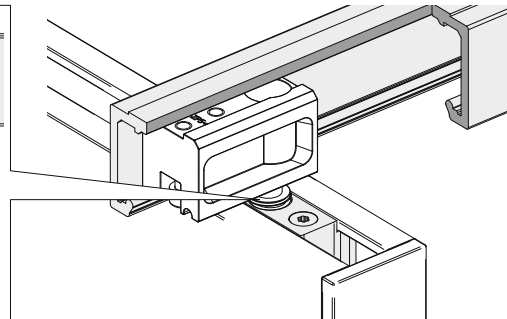
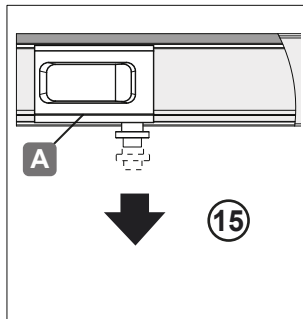
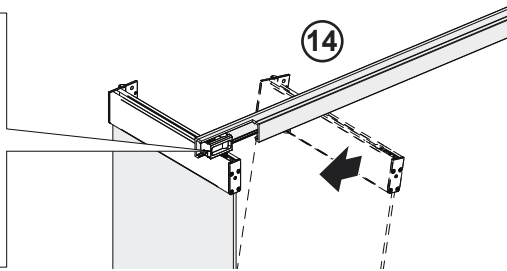
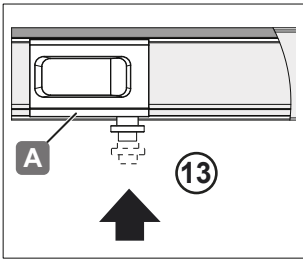
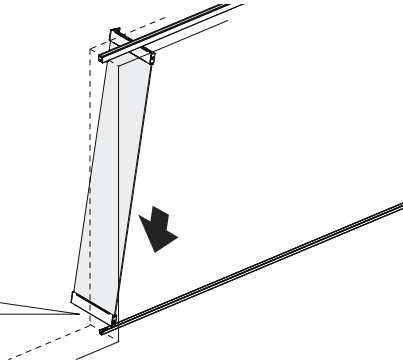
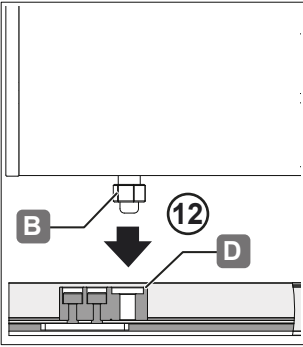
IS 25



732.29.864

HDE 25.08.2022

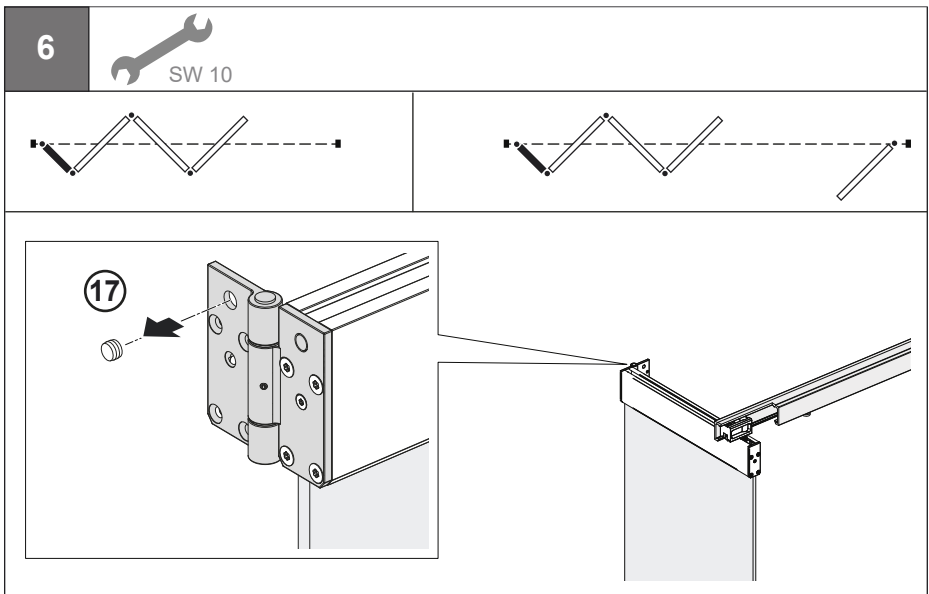
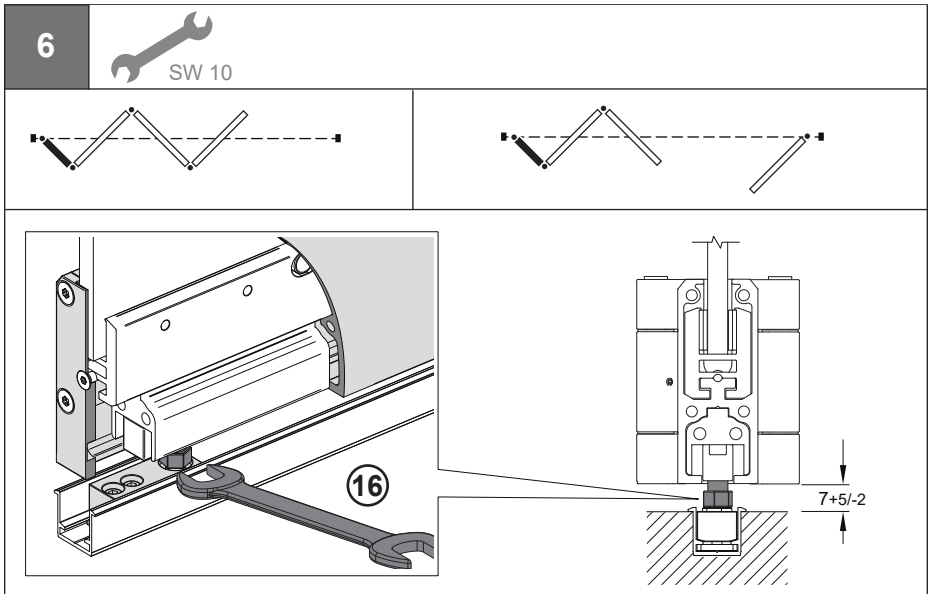
6



732.29.864

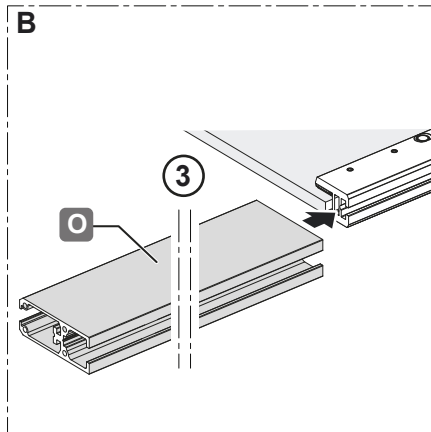
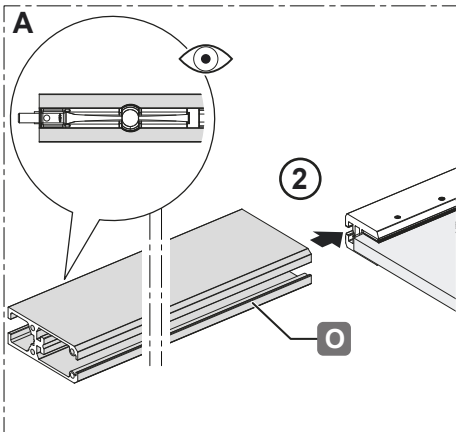
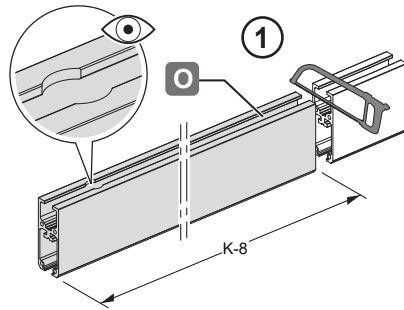
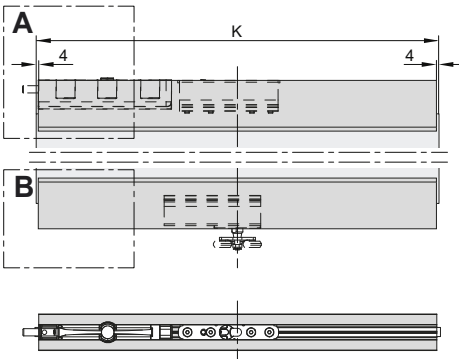
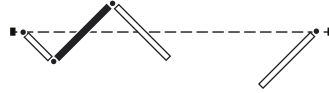
HDE 25.08.2022

732.29.864



HDE 25.08.2022

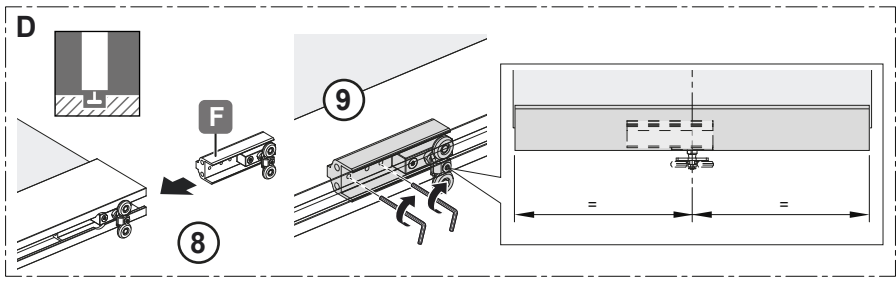
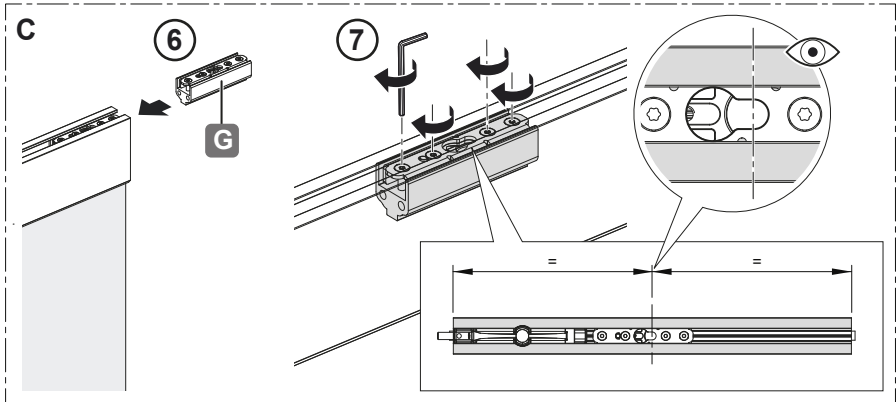
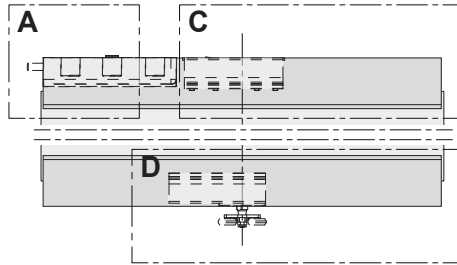
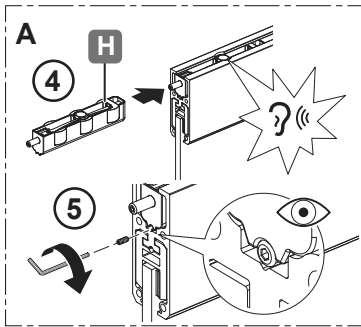
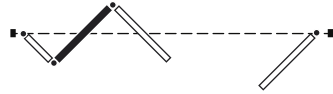
7



732.29.864

HDE 25.08.2022

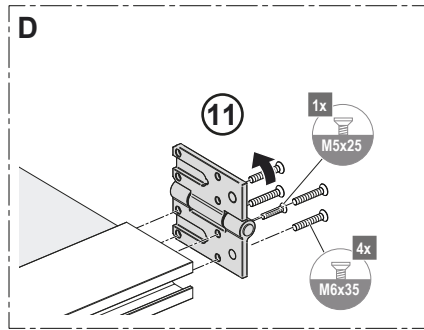
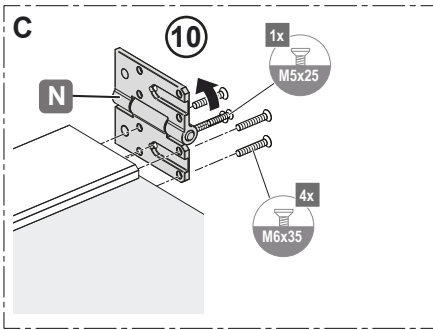
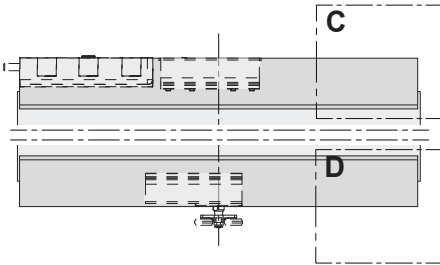
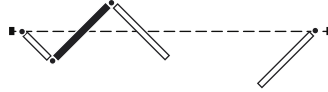
7



732.29.864

HDE 25.08.2022

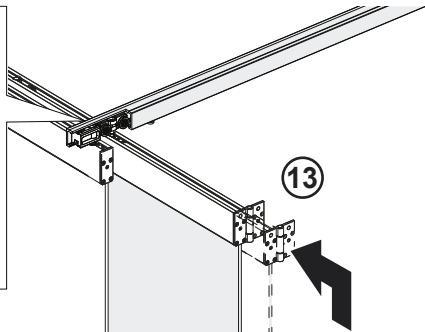
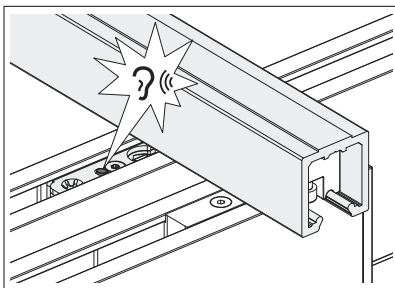
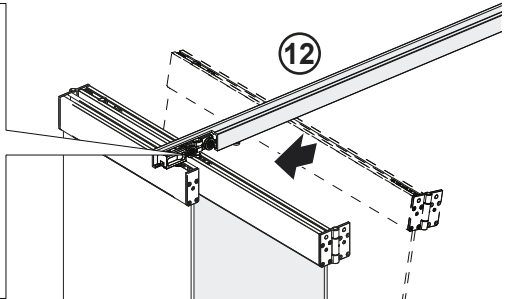
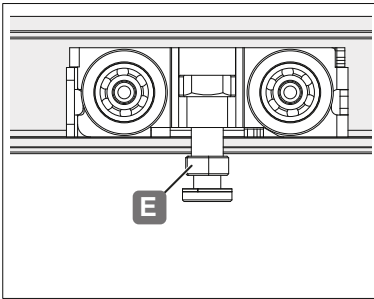
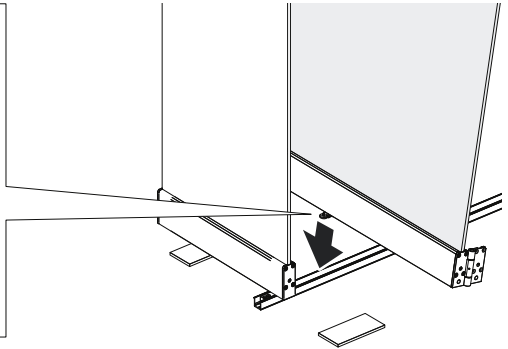
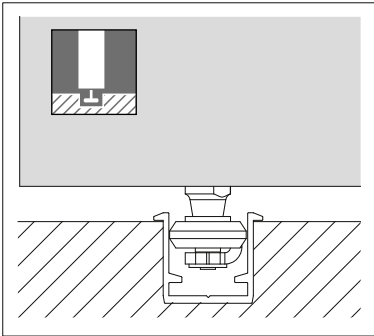
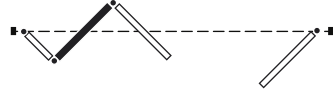
7



732.29.864

HDE 25.08.2022

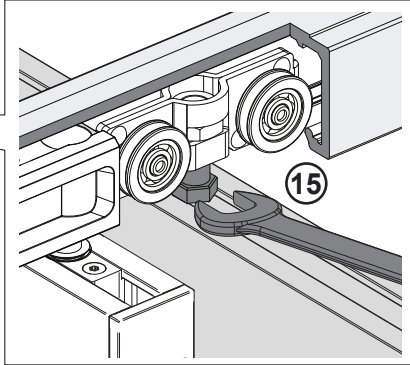
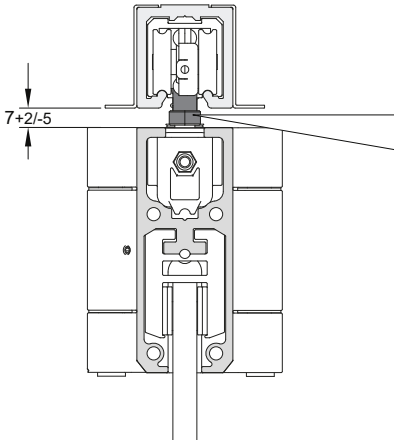
7



732.29.864

HDE 25.08.2022

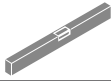
7



732.29.864

HDE 25.08.2022

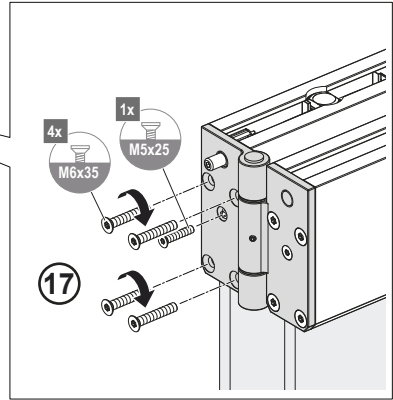
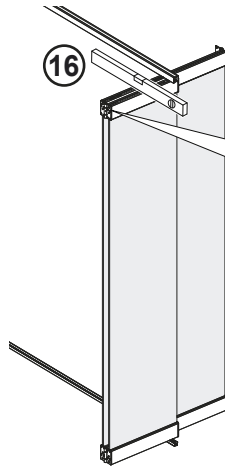
7



IS 30



IS 25



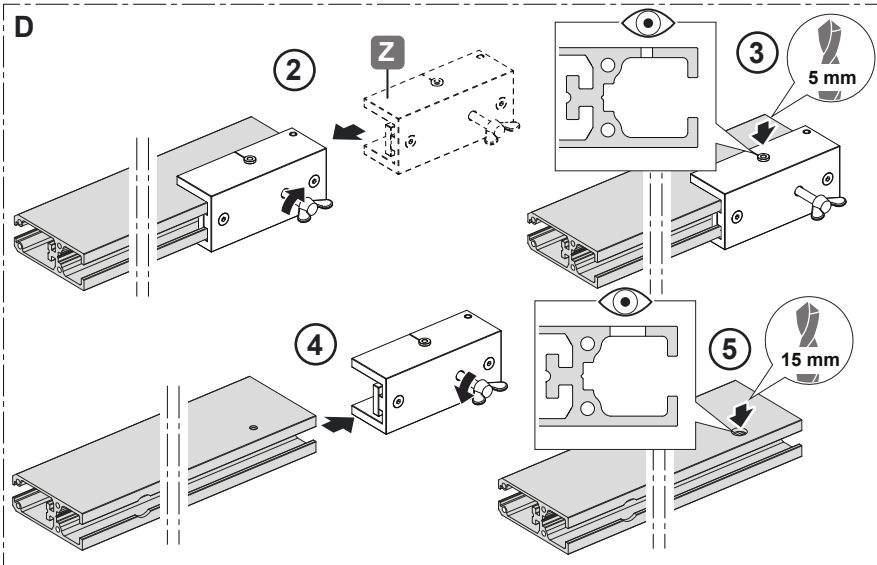
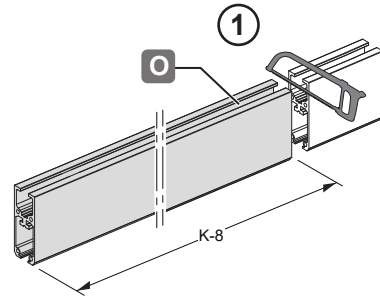
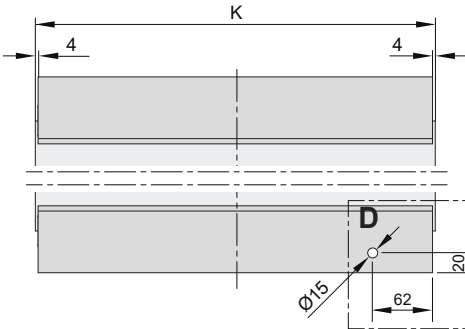
732.29.864

HDE 25.08.2022

8



943.55.403
943.55.404



732.29.864

HDE 25.08.2022

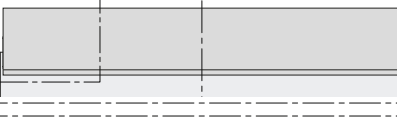
8



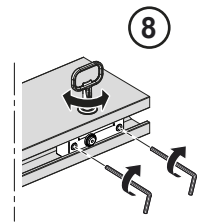
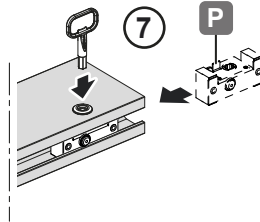
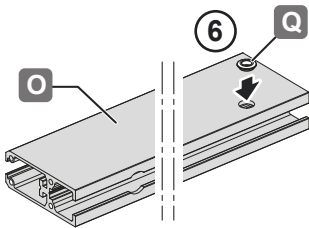
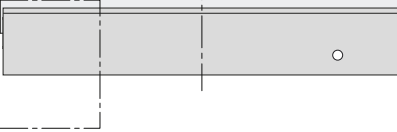
943.55.403
943.55.404



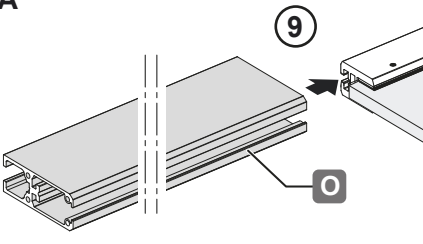
A



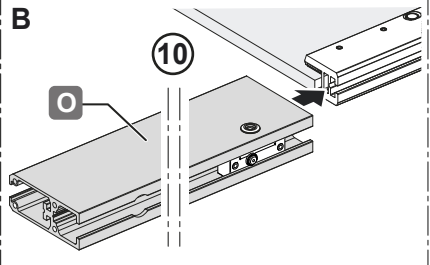
B



A

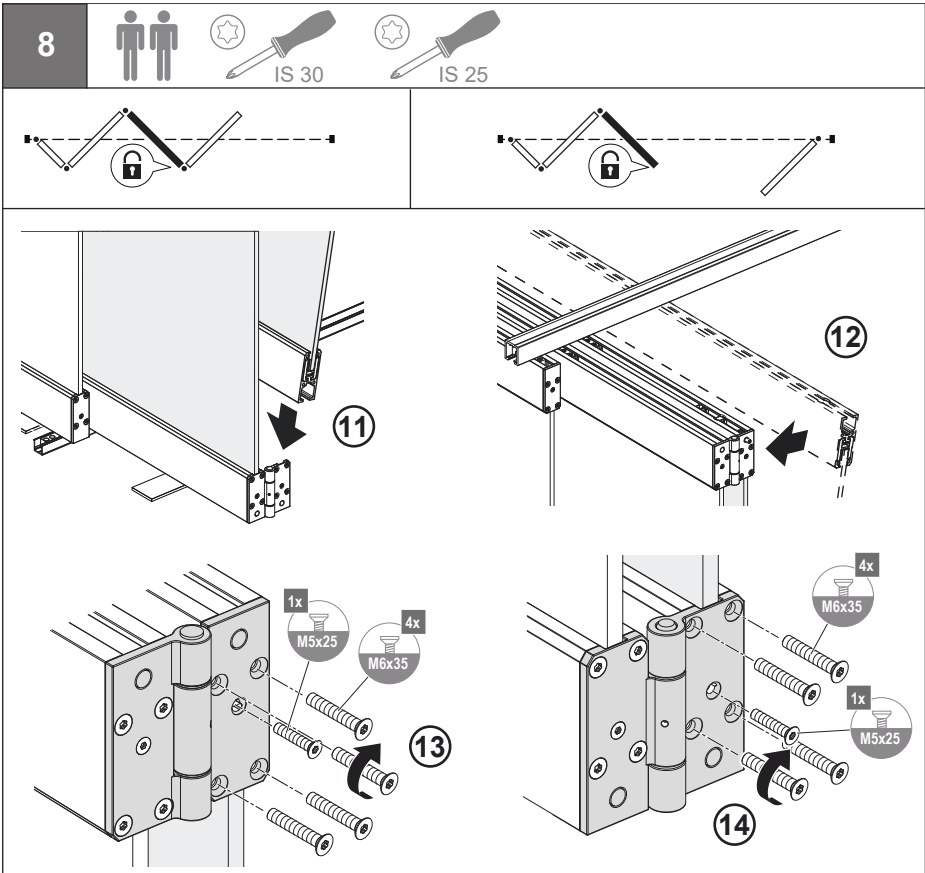


B



732.29.864

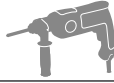
HDE 25.08.2022



732.29.864

HDE 25.08.2022

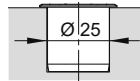
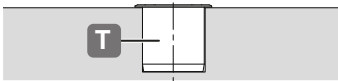
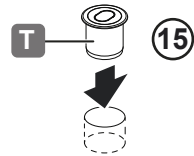
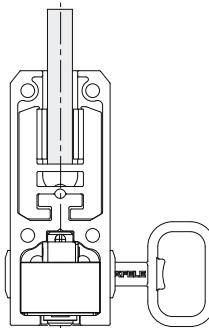
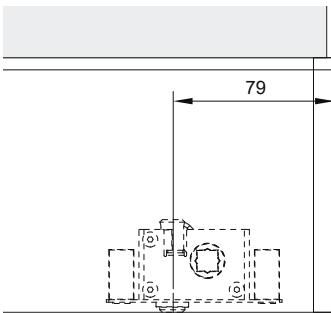
8



943.55.403
943.55.404

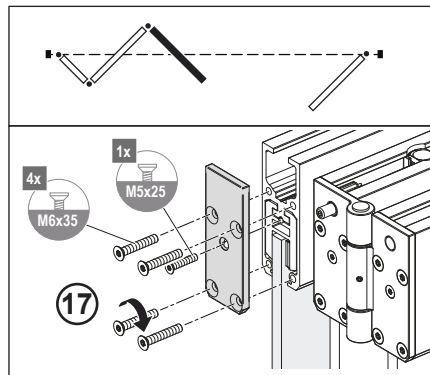
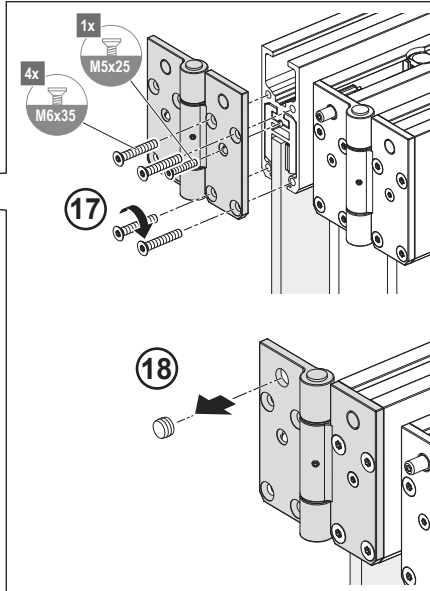
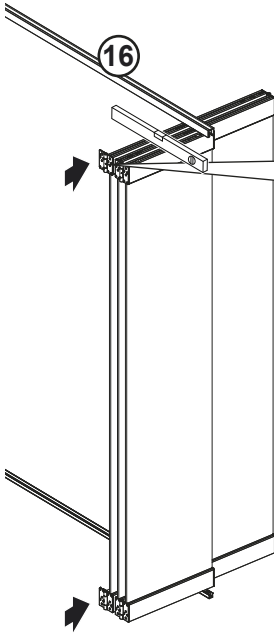


732.29.864



- ▶ 44/52
- ▶ 45/52
- ▶ 46/52

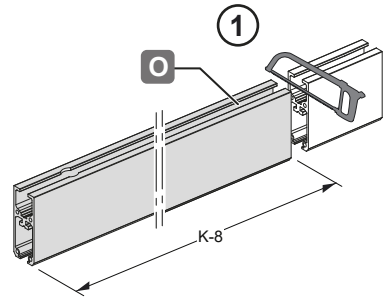
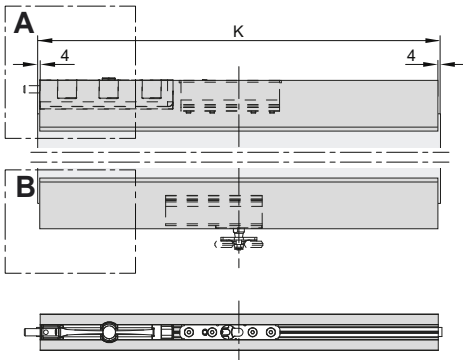
8



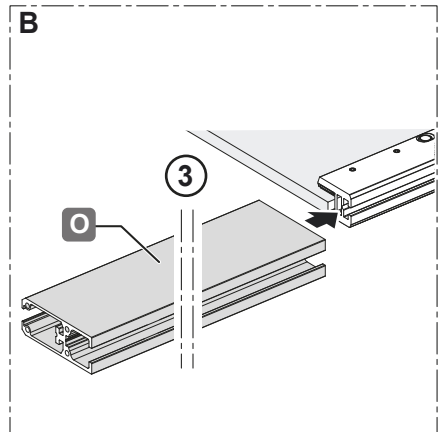
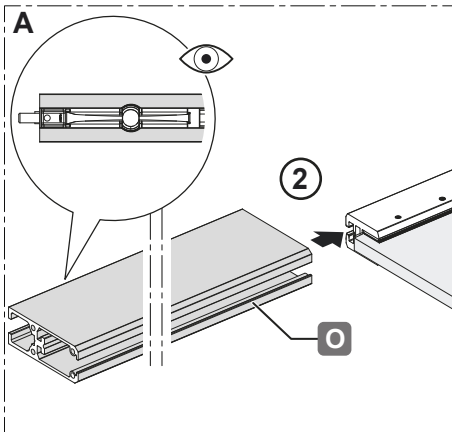
732.29.864

HDE 25.08.2022

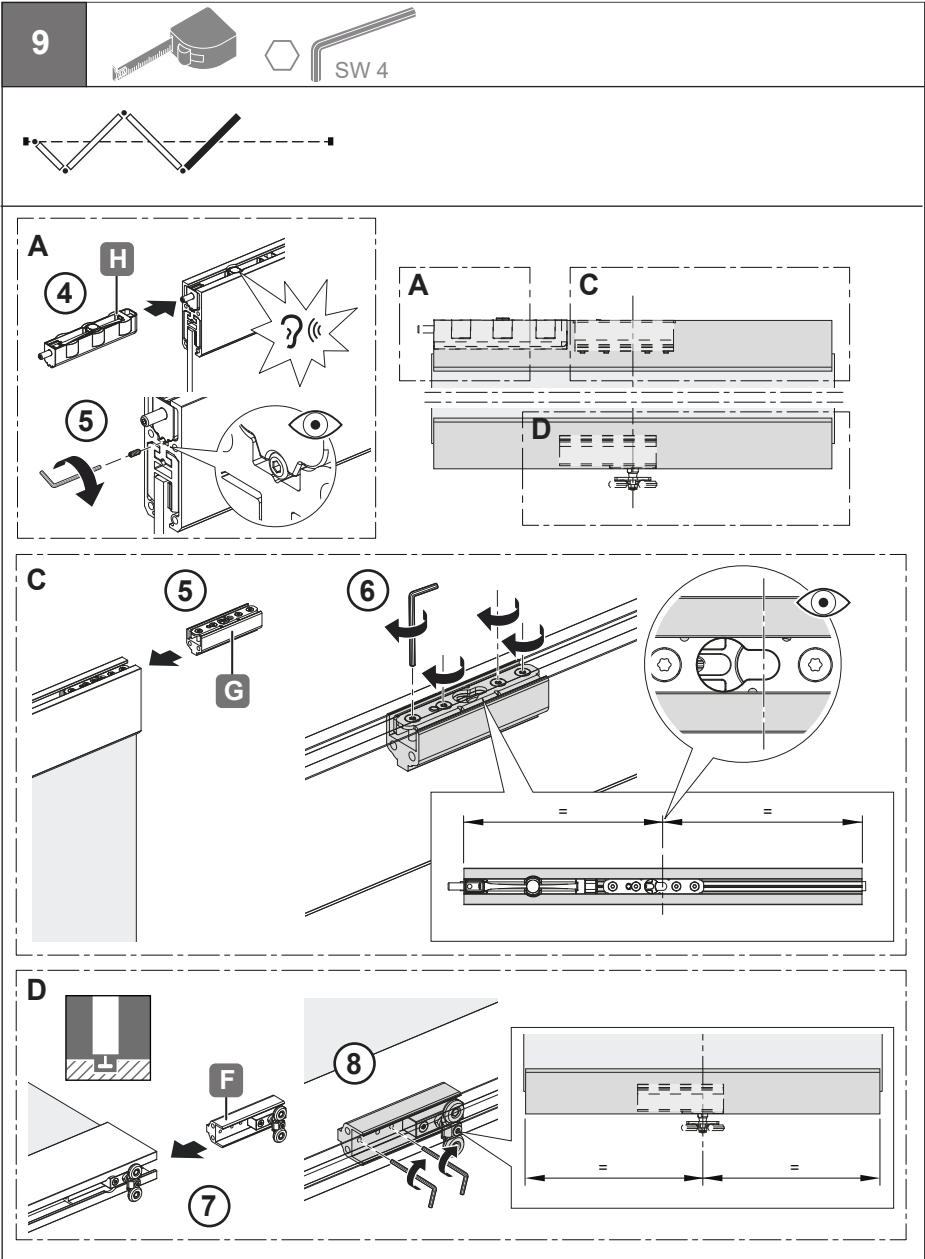
9



732.29.864



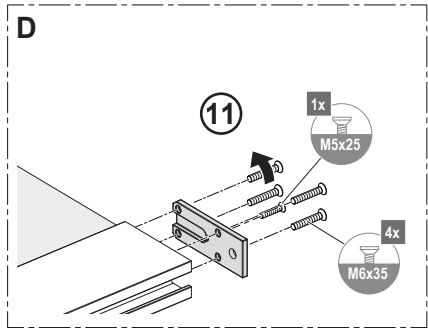
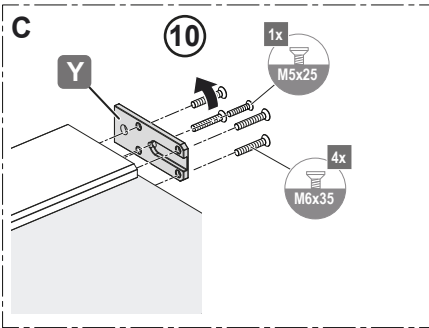
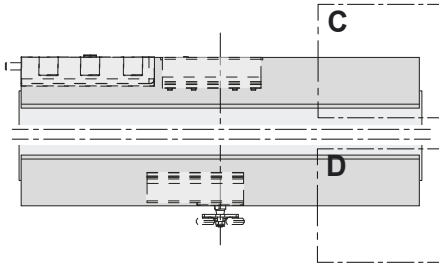
HDE 25.08.2022



732.29.864

HDE 25.08.2022

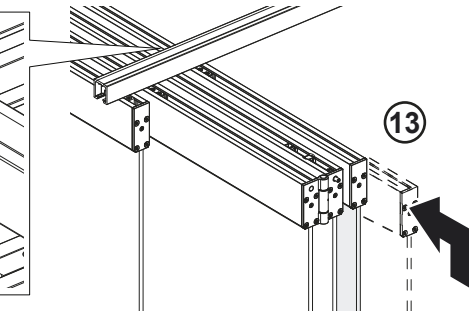
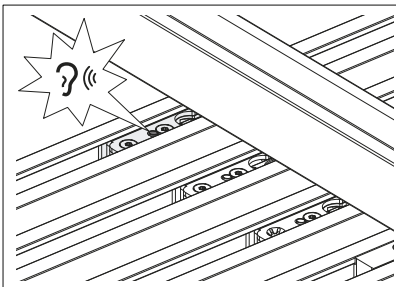
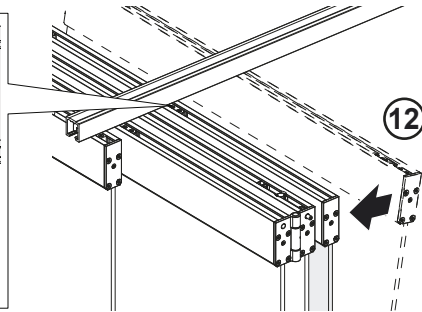
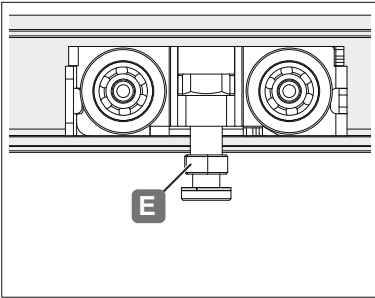
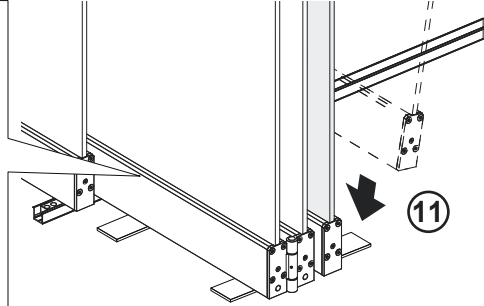
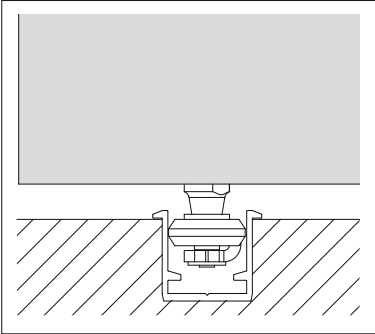
9



732.29.864

HDE 25.08.2022

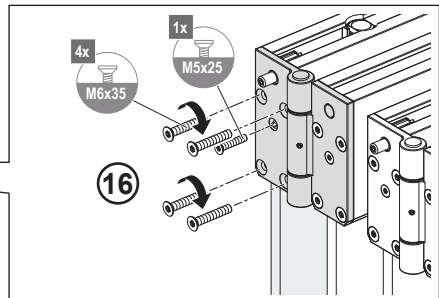
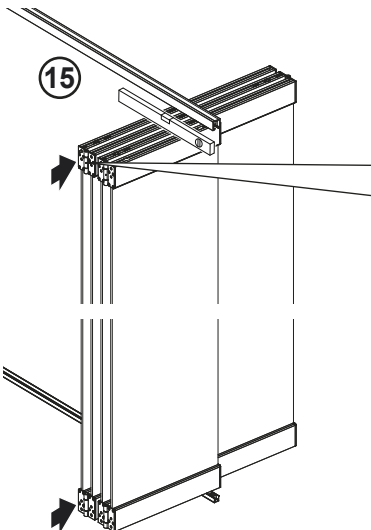
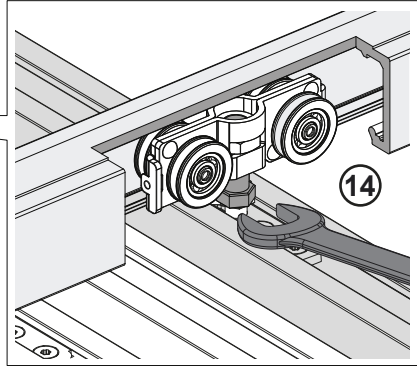
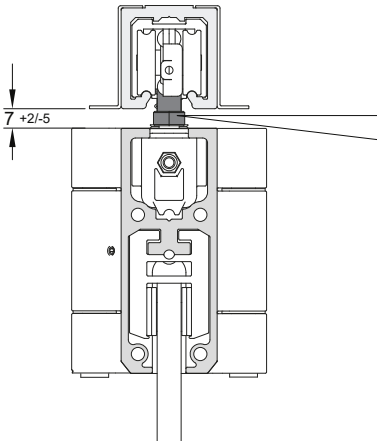
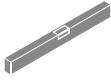
9



732.29.864

HDE 25.08.2022

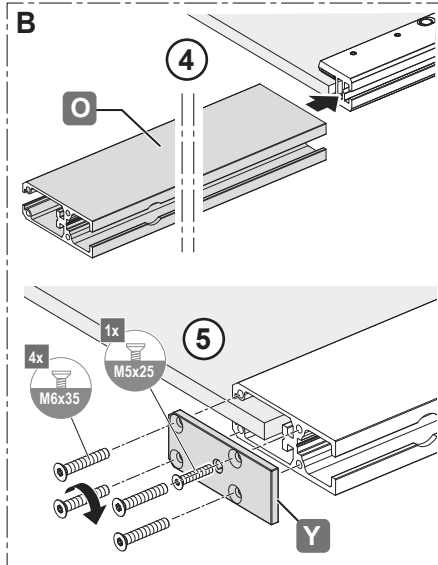
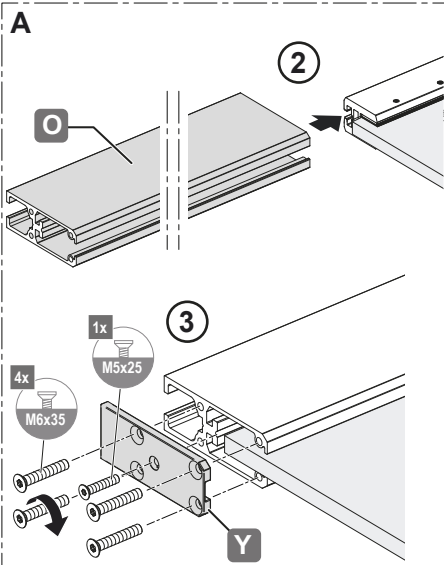
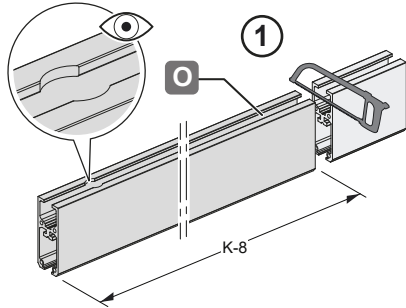
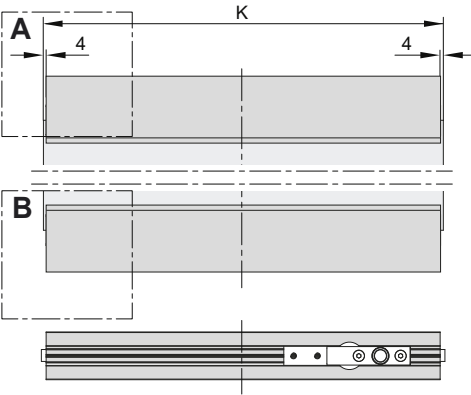
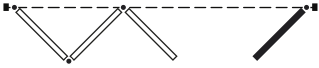
9



732.29.864

HDE 25.08.2022

10



732.29.864

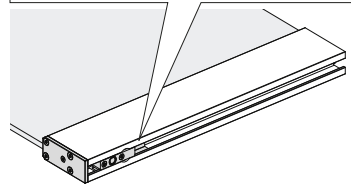
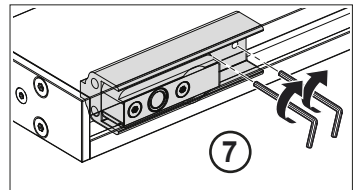
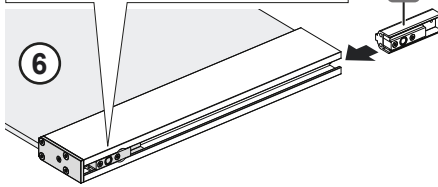
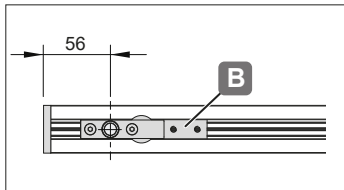
HDE 25.08.2022

10

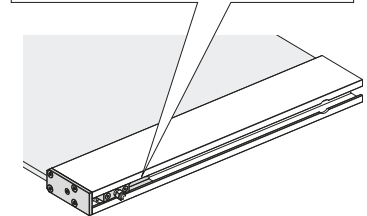
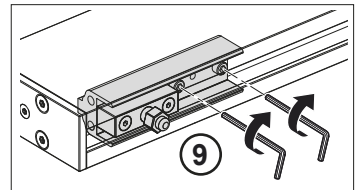
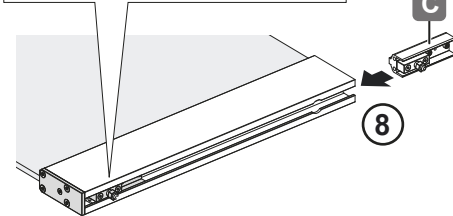
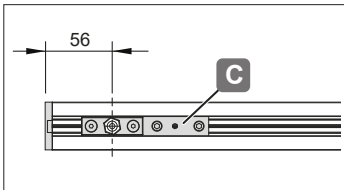


732.29.864

A

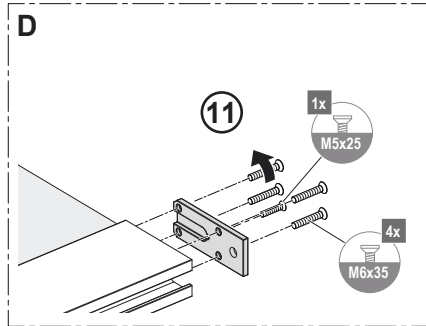
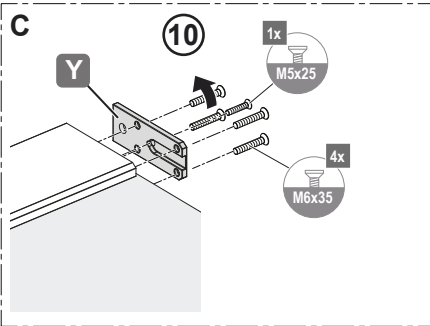
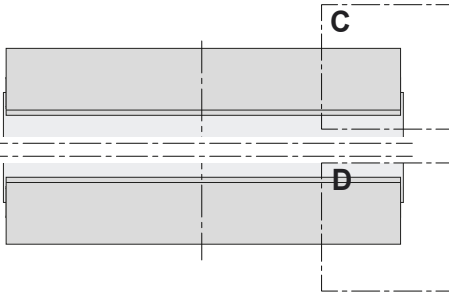


B



HDE 25.08.2022

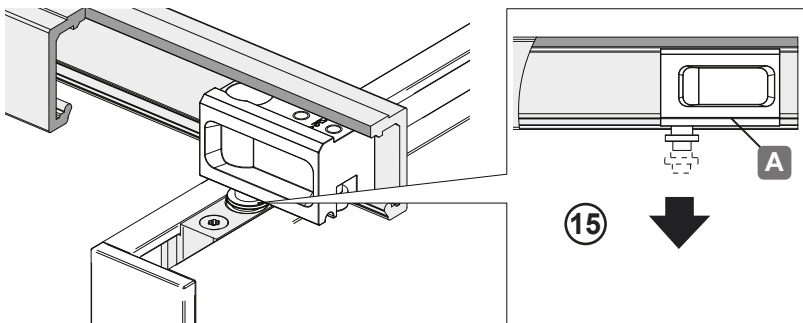
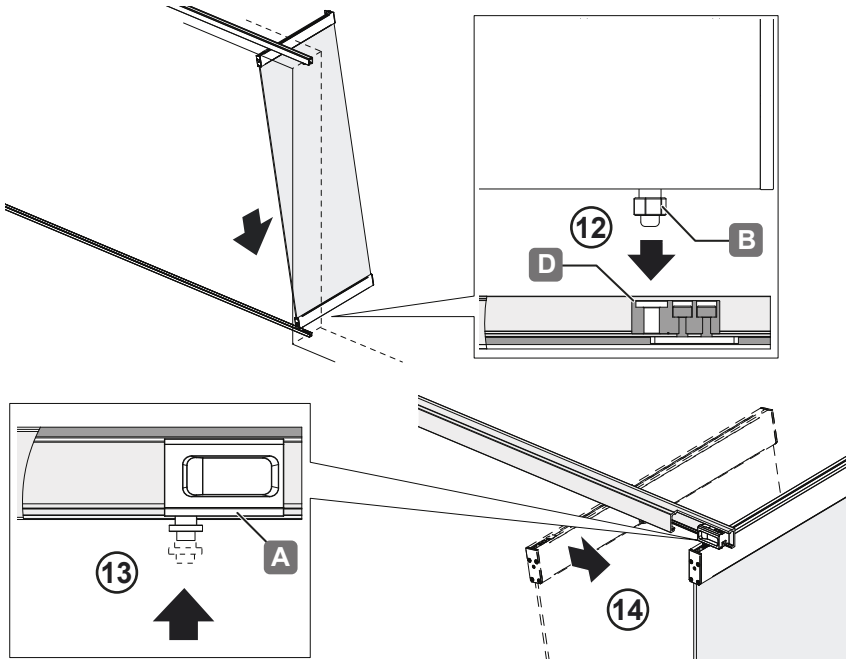
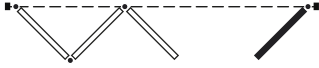
10



732.29.864

HDE 25.08.2022

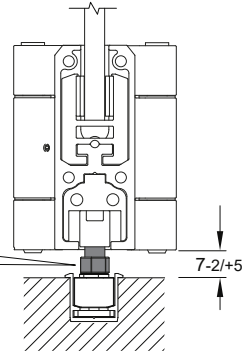
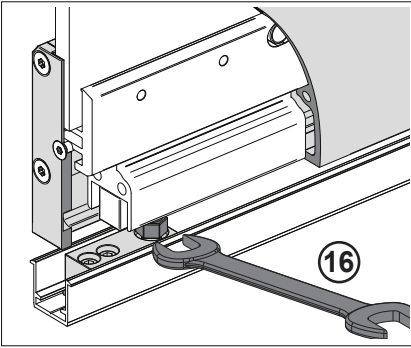
10



732.29.864

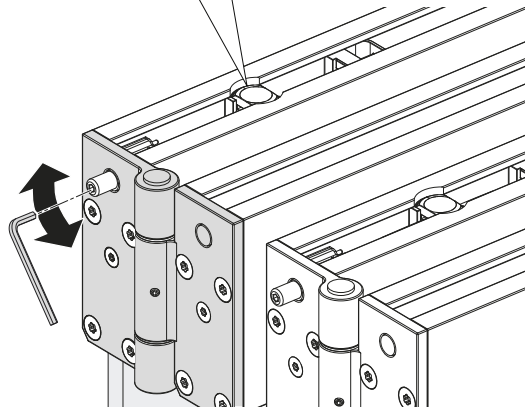
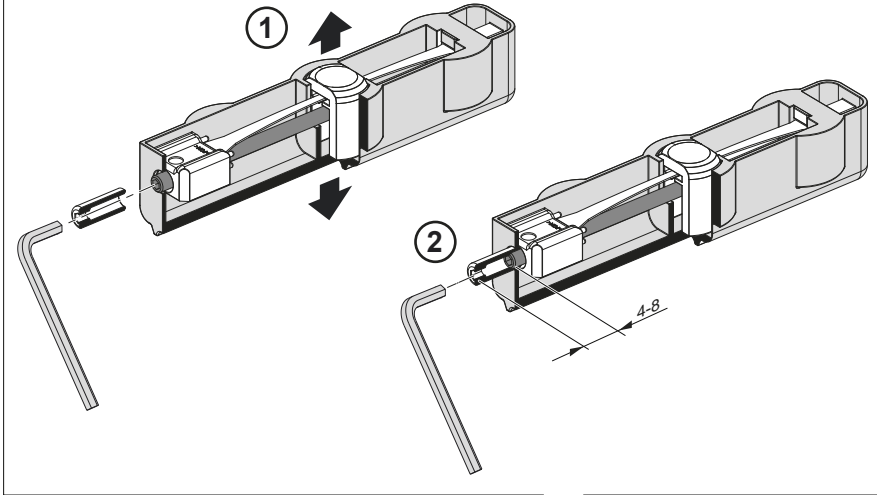
HDE 25.08.2022

10



732.29.864

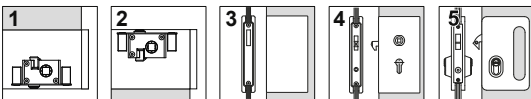
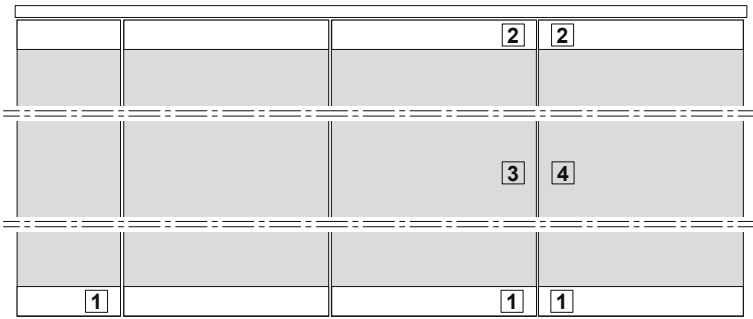
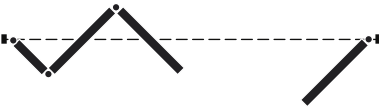
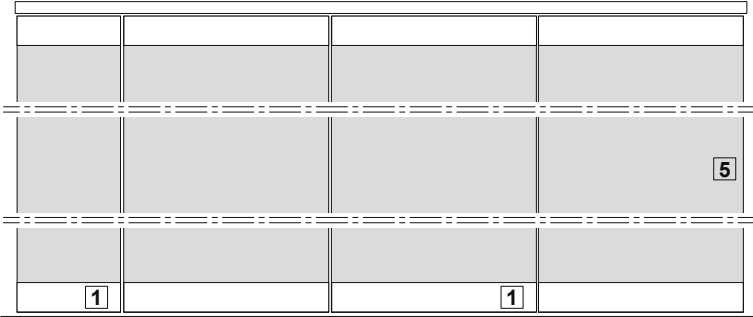
HDE 25.08.2022



732.29.864

HDE 25.08.2022

i



732.29.864

HDE 25.08.2022

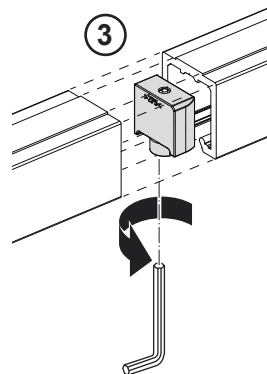
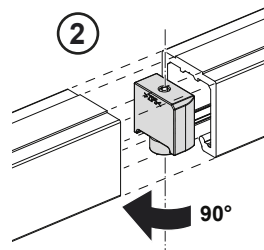
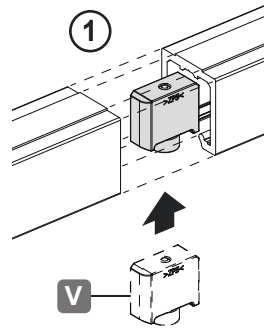
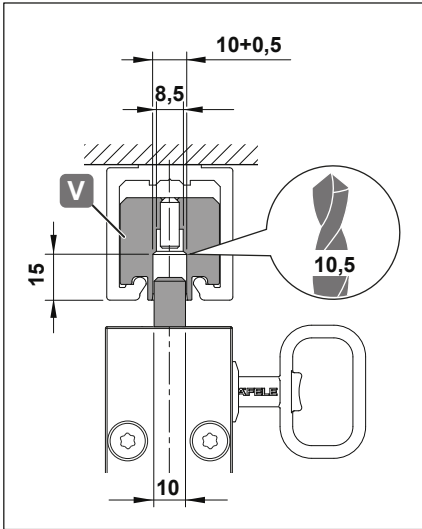


943.55.403



943.55.025

943.55.034



732.29.864

HDE 25.08.2022



i



943.55.403

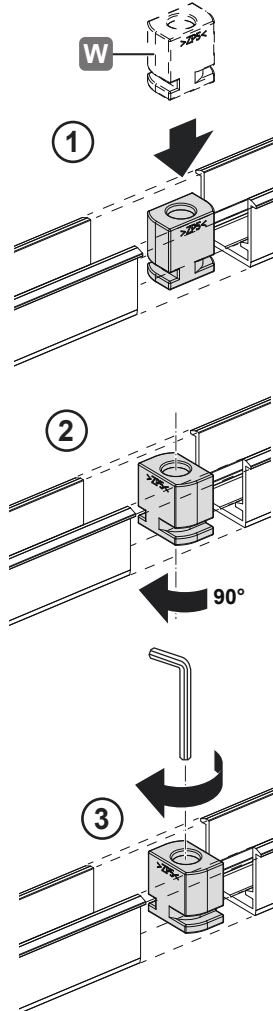
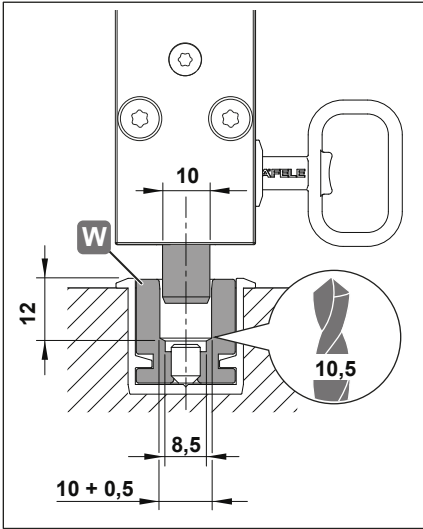


943.55.025

943.55.034



SW 3

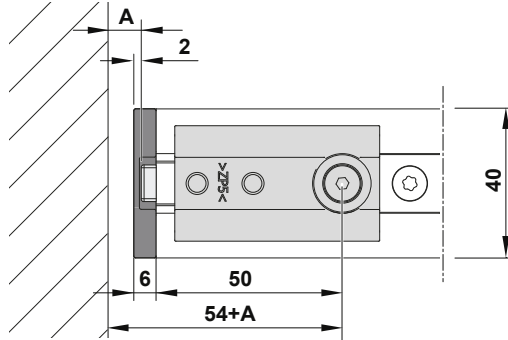


732.29.864

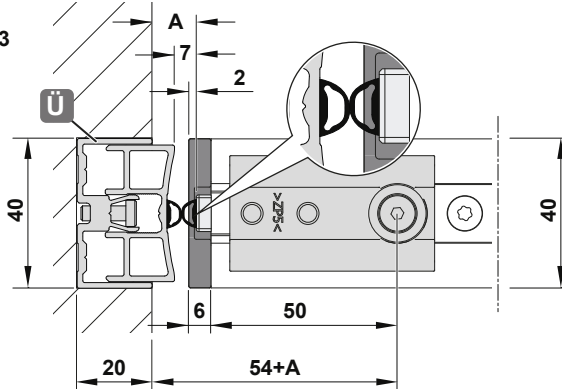
HDE 25.08.2022

i

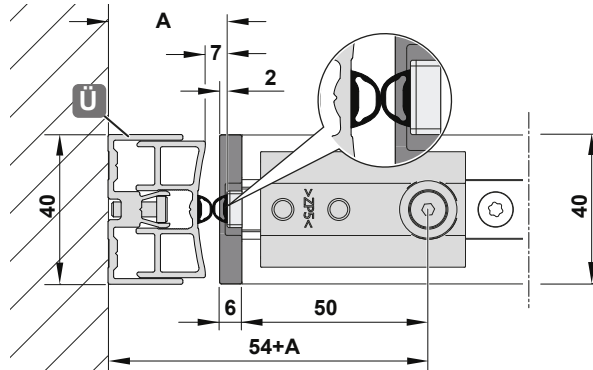
$A \geq 9$



$A = 7 - 13$

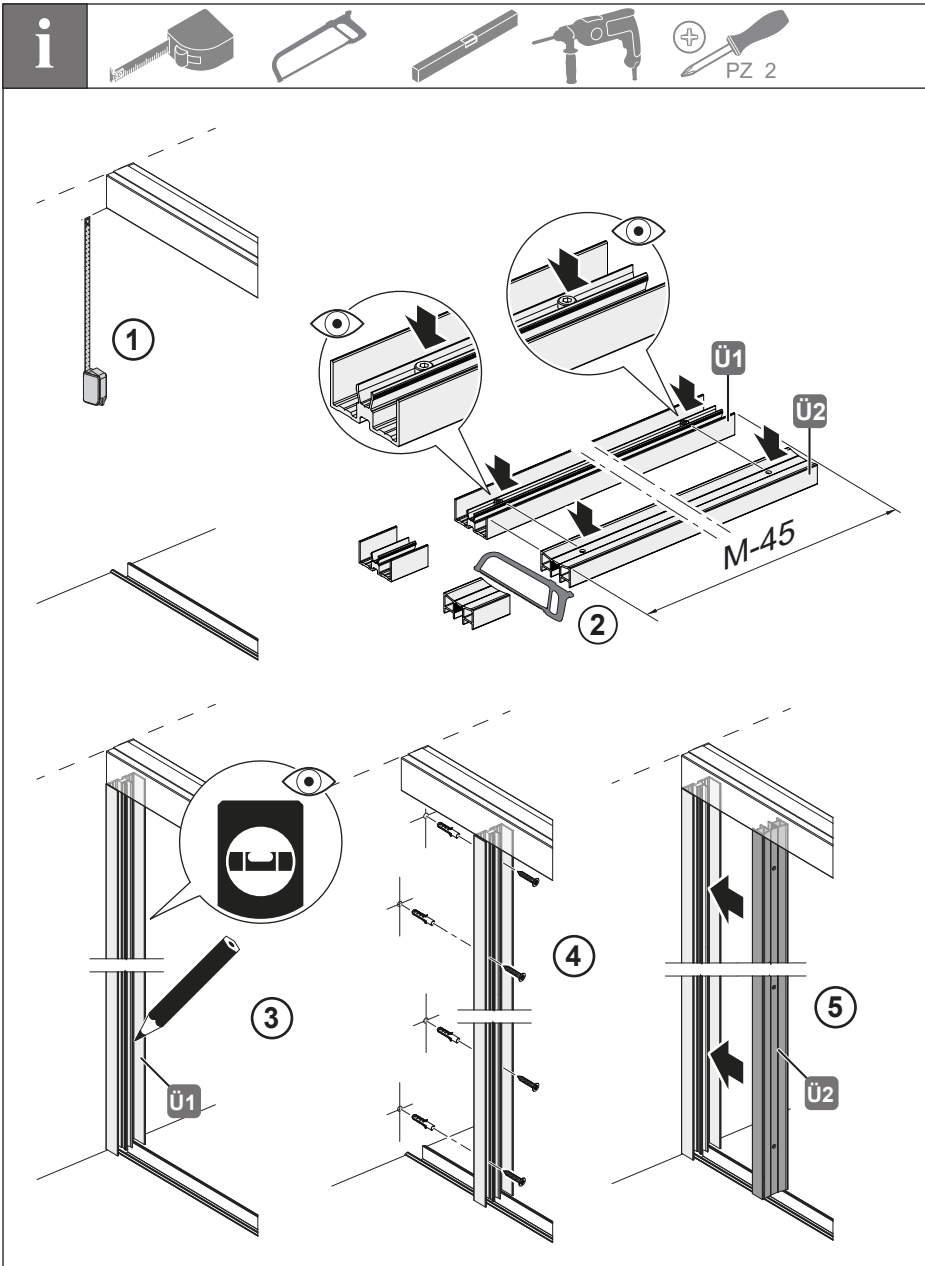


$A = 27 - 33$



732.29.864

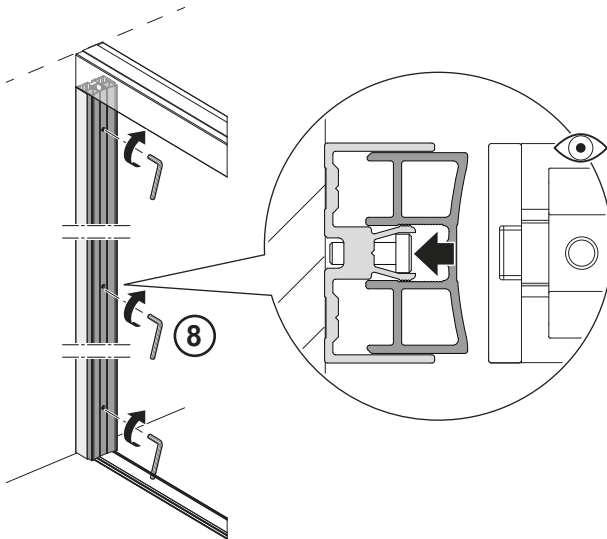
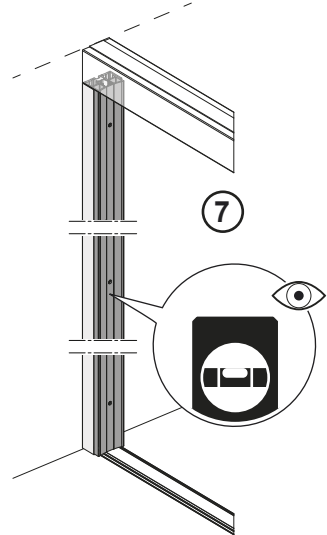
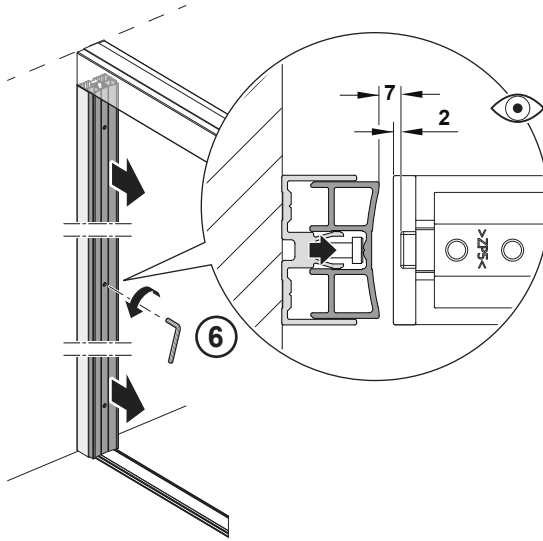
HDE 25.08.2022



732.29.864

HDE 25.08.2022

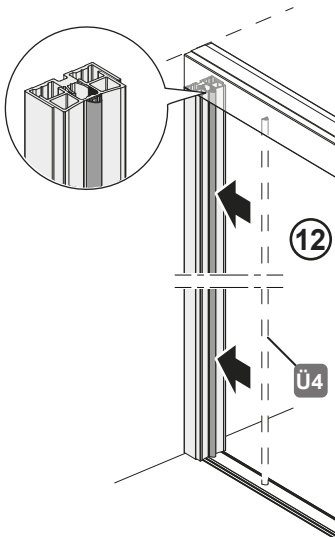
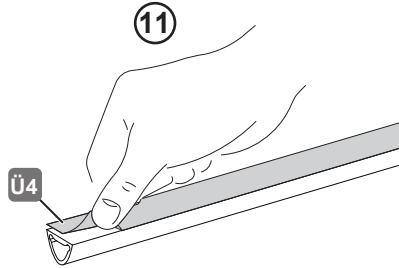
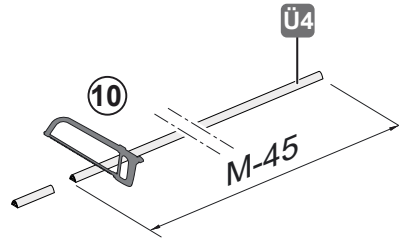
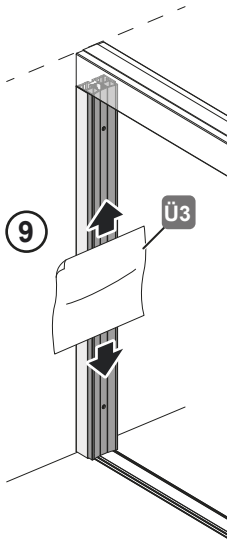
i



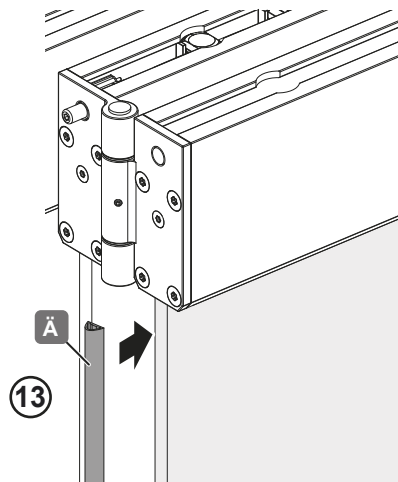
732.29.864

HDE 25.08.2022

i

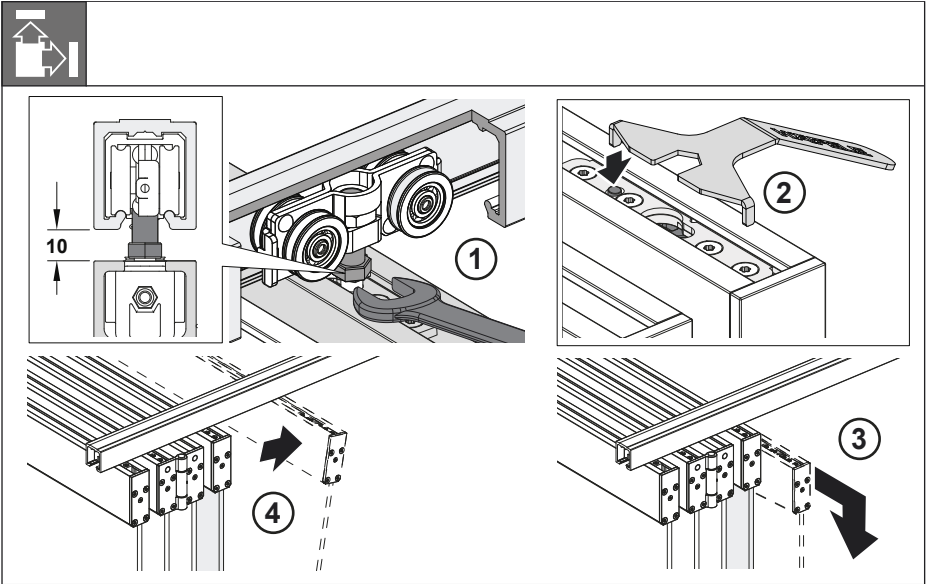


optional

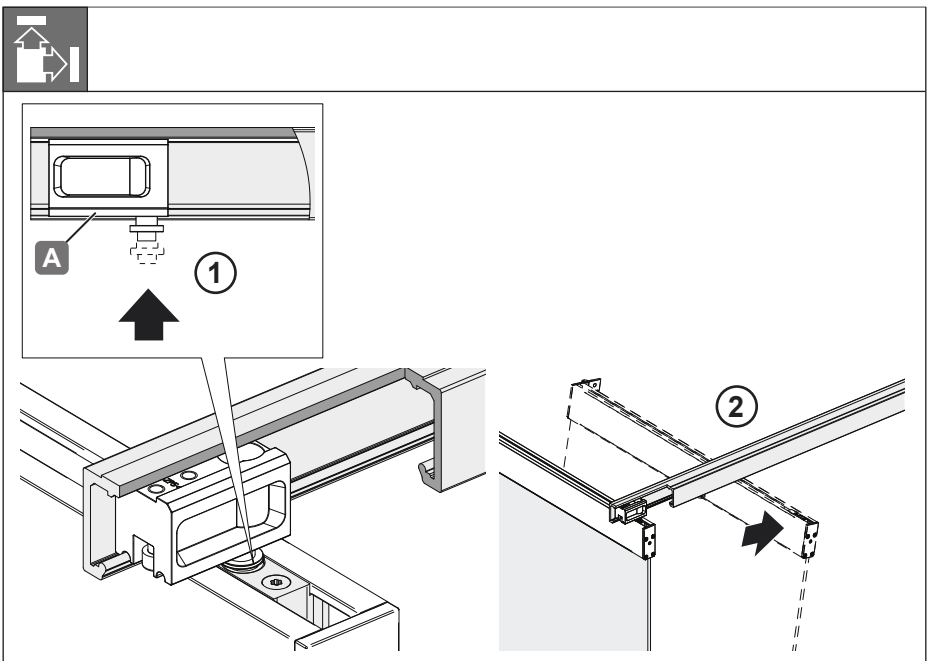


732.29.864

HDE 25.08.2022



732.29.864



HDE 25.08.2022

732.29.864

HDE 25.08.2022