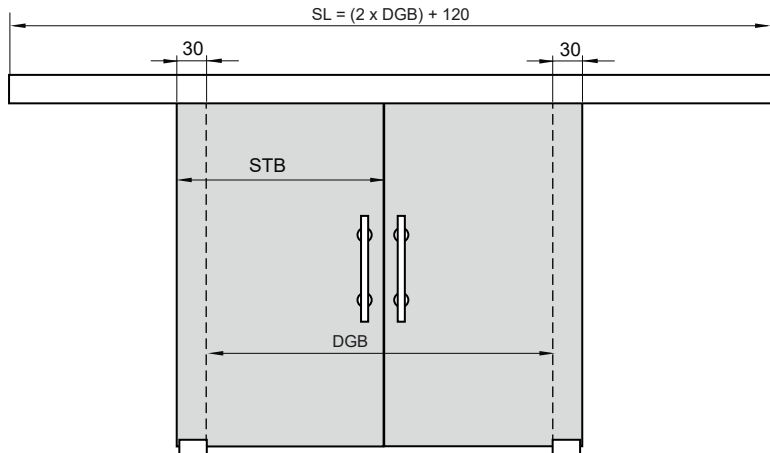
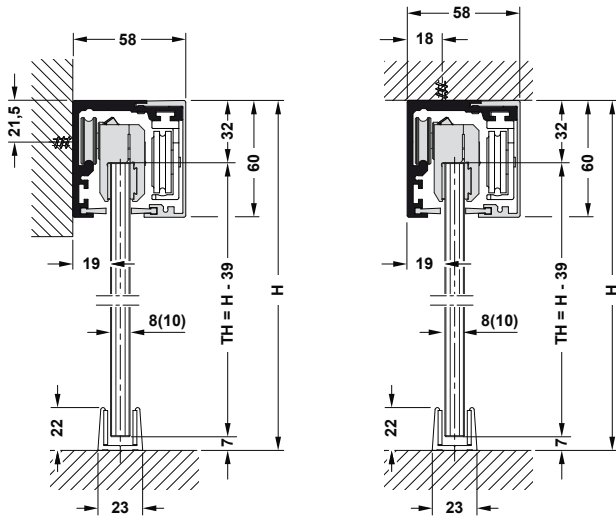




Slido D-Line12 50F / 80F

940.67.012

i

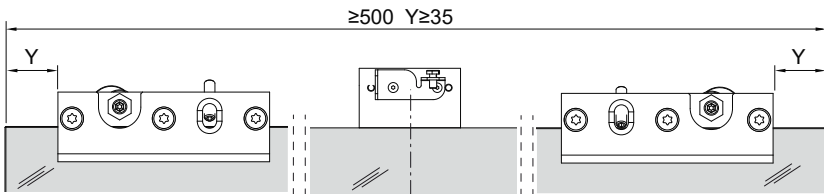


732.29.720

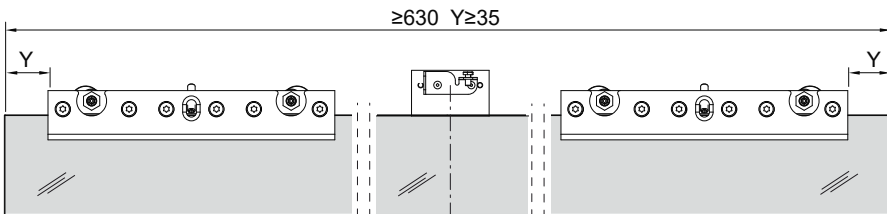
HDE 11.01.2022

i

D-Line12 50F

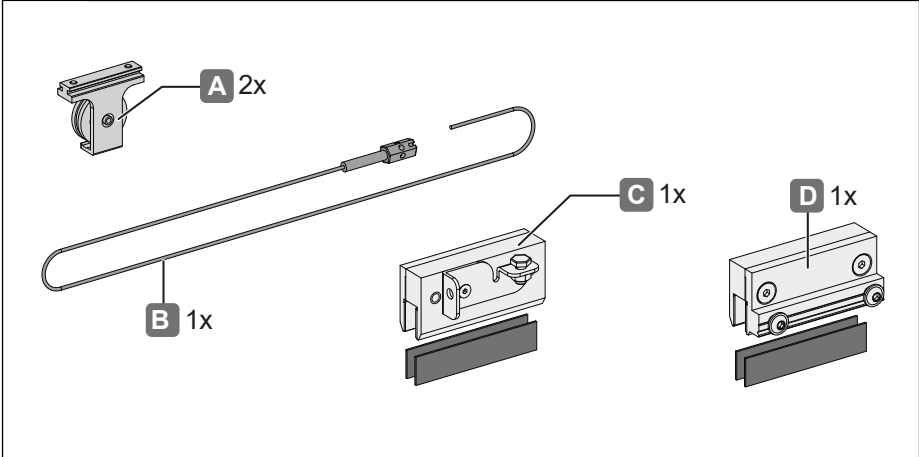


D-Line12 80F



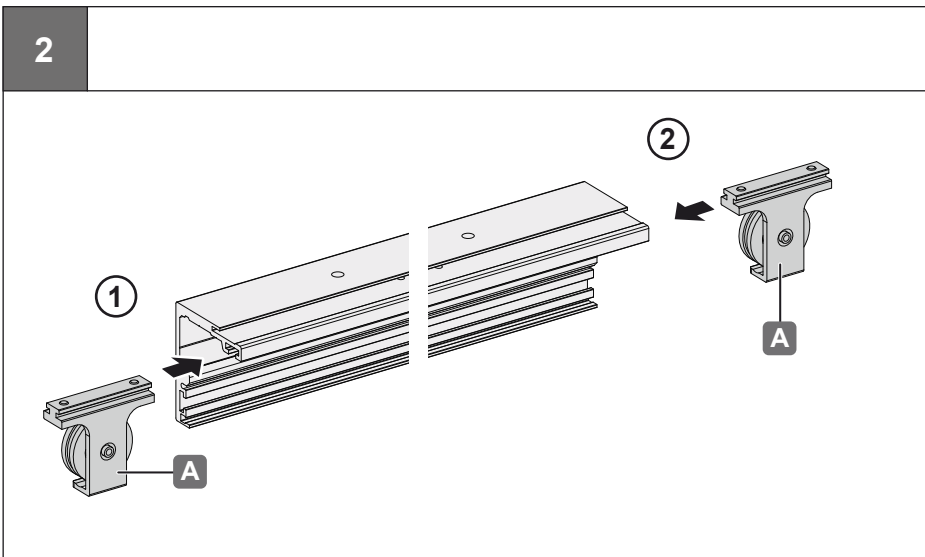
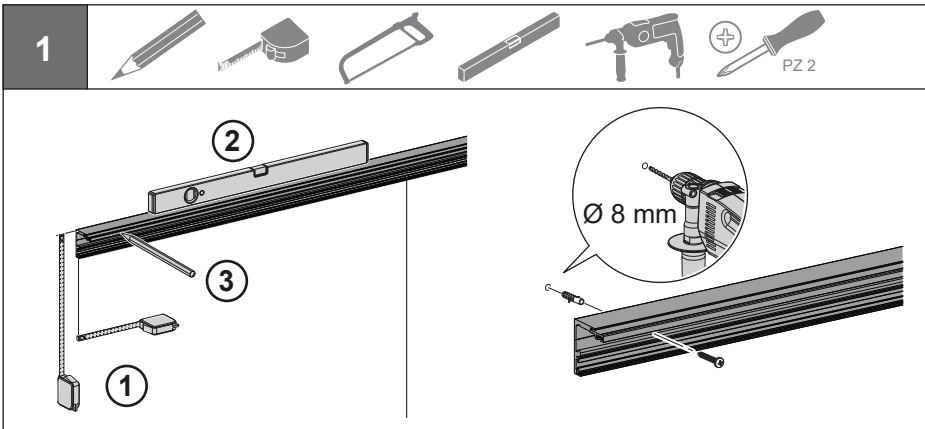
732.29.720

HDE 11.01.2022



732.29.720

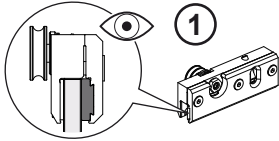
HDE 11.01.2022



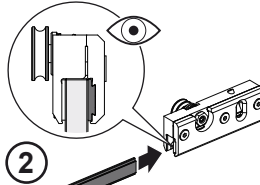
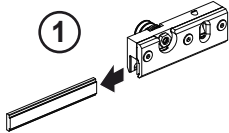
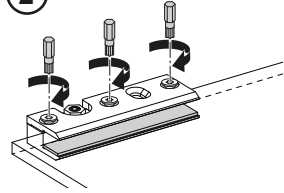
732.29.720

HDE 11.01.2022

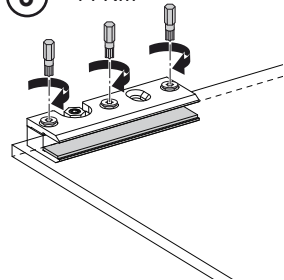
3



2 14 Nm



3 14 Nm



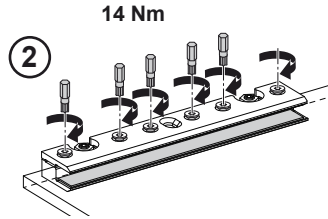
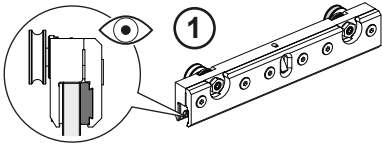
732.29.720

HDE 11.01.2022

3

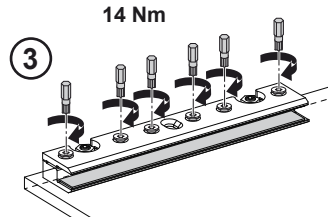
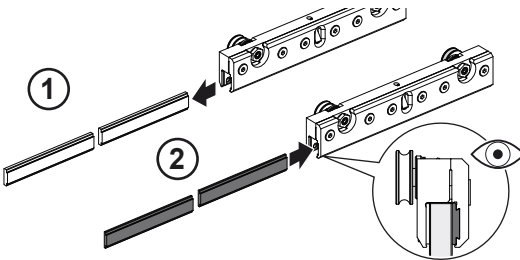


PZ 2



14 Nm

2



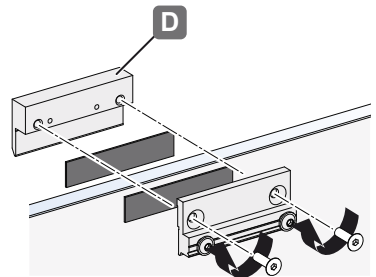
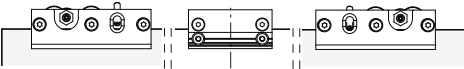
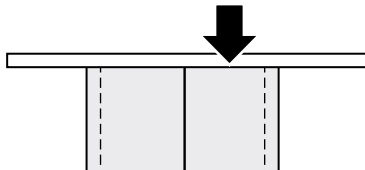
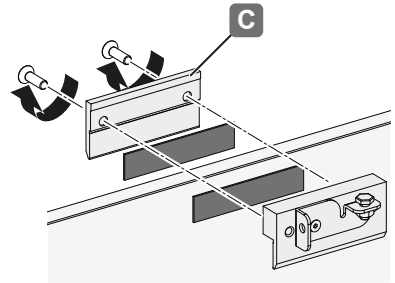
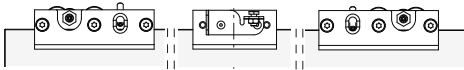
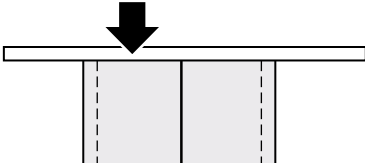
14 Nm

3

732.29.720

HDE 11.01.2022

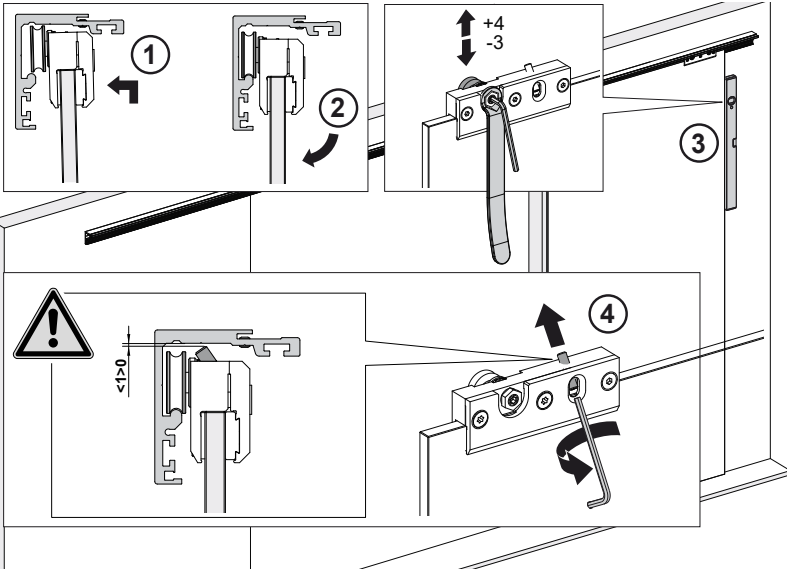
4



732.29.720

HDE 11.01.2022

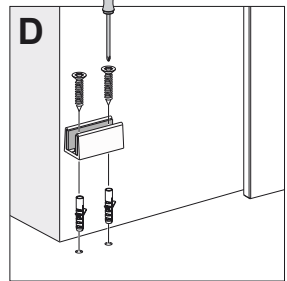
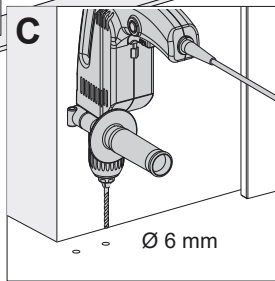
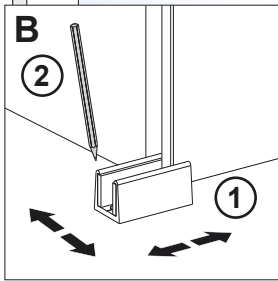
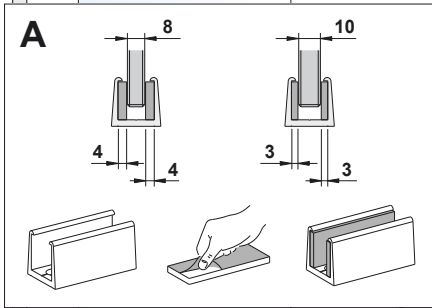
5



732.29.720

HDE 11.01.2022

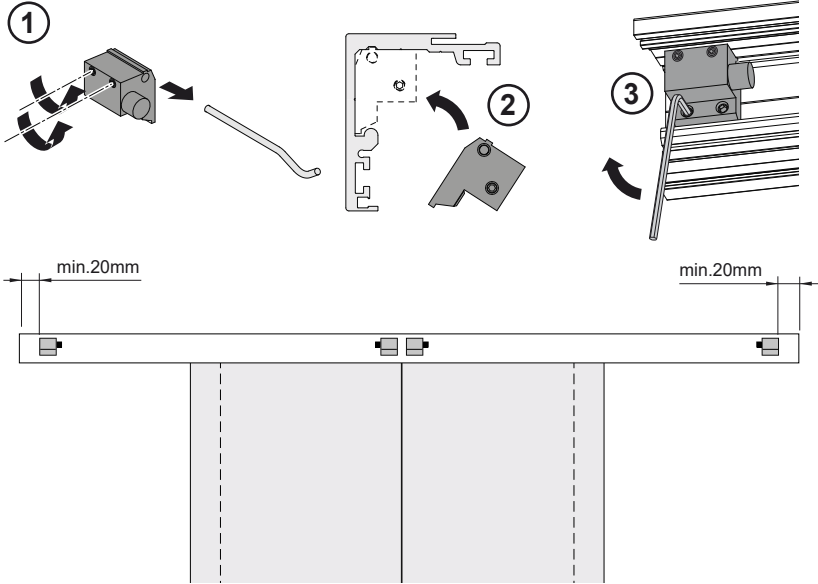
6



732.29.720

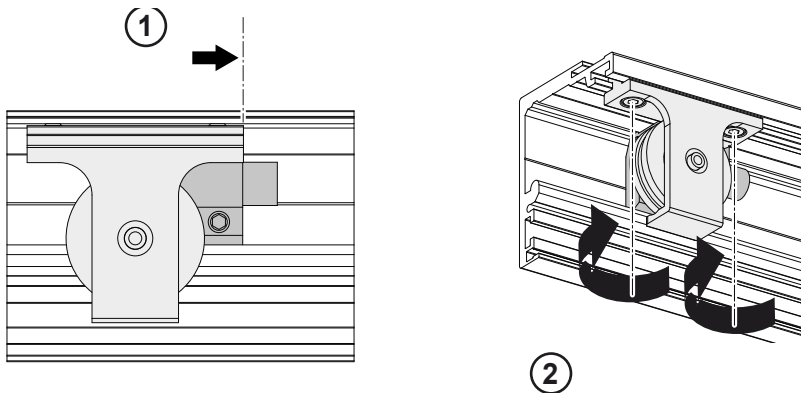
HDE 11.01.2022

7



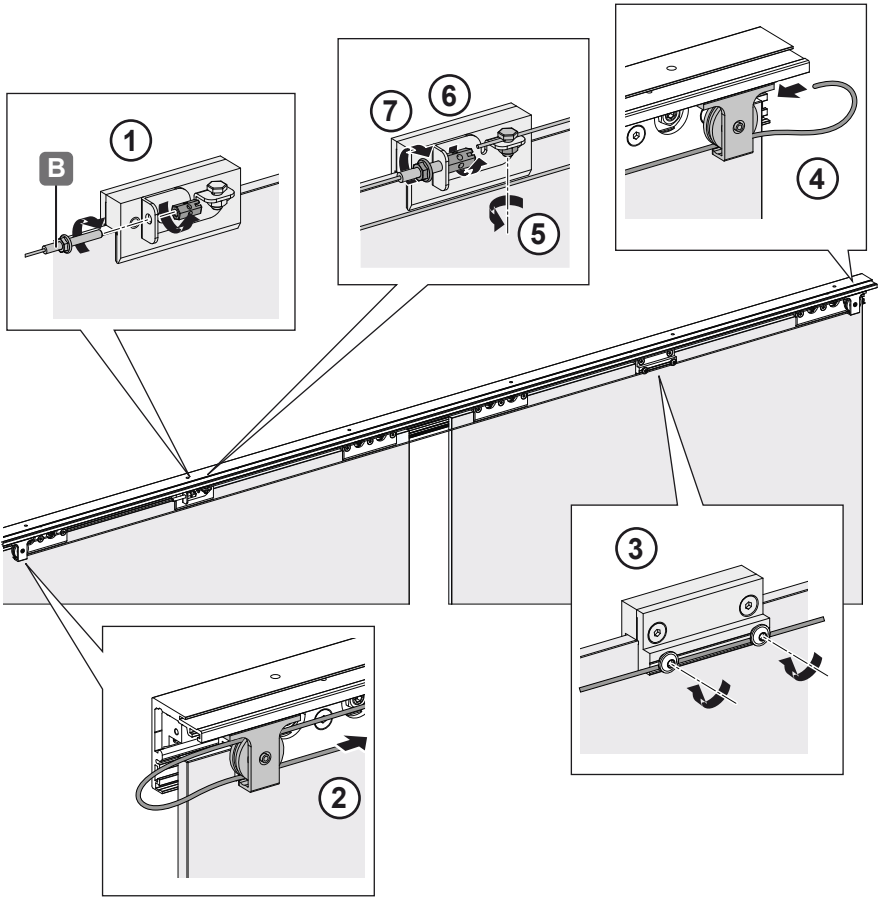
732.29.720

8



HDE 11.01.2022

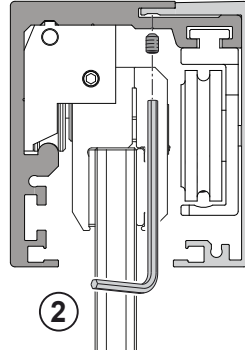
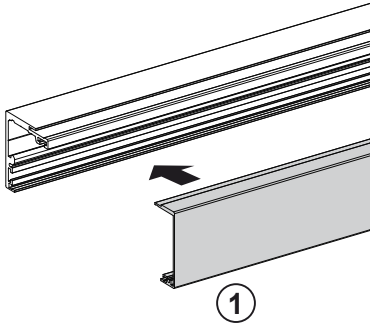
9



732.29.720

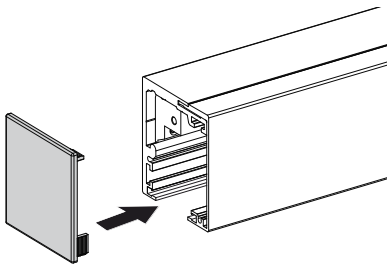
HDE 11.01.2022

10



732.29.720

11



HDE 11.01.2022