

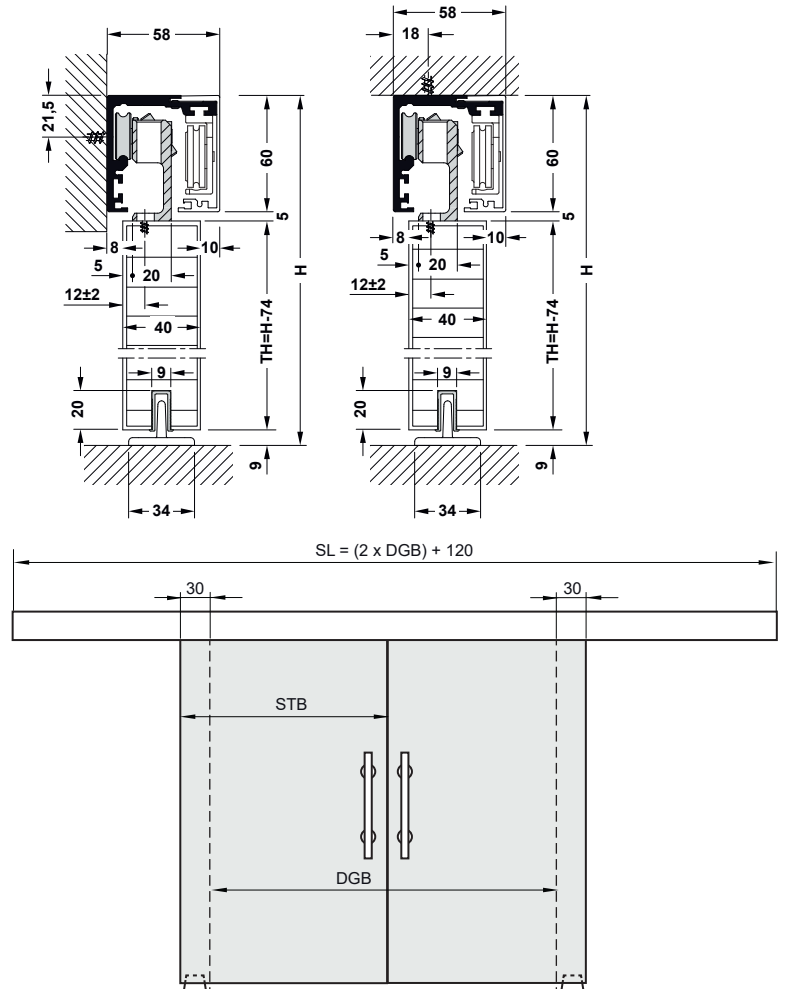


Slido D-Line12 50E / 80E

940.67.013

i

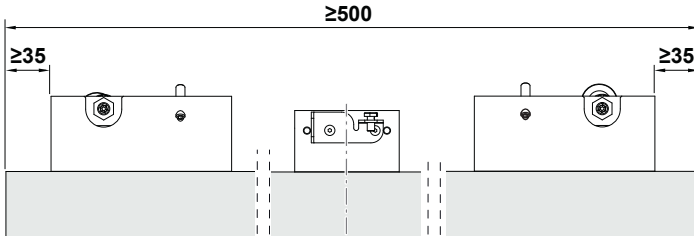
732.29.719



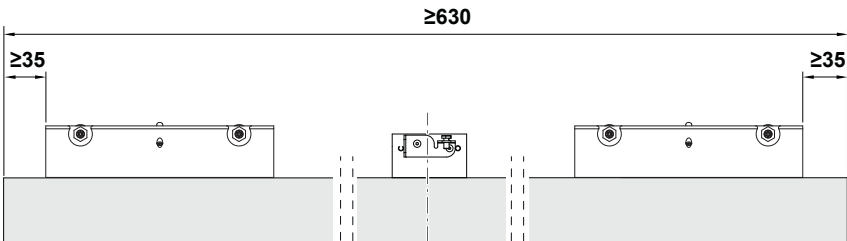
HDE 20.10.2022

i

D-Line12 50E

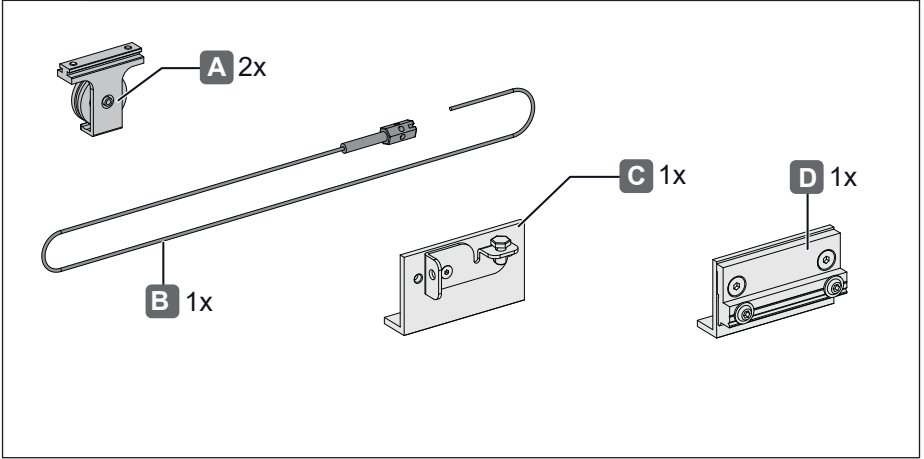


D-Line12 80E



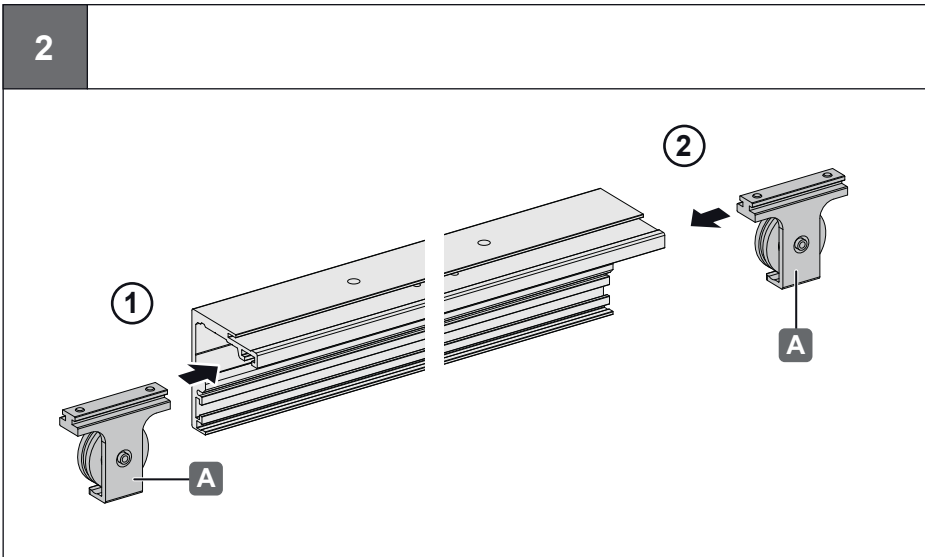
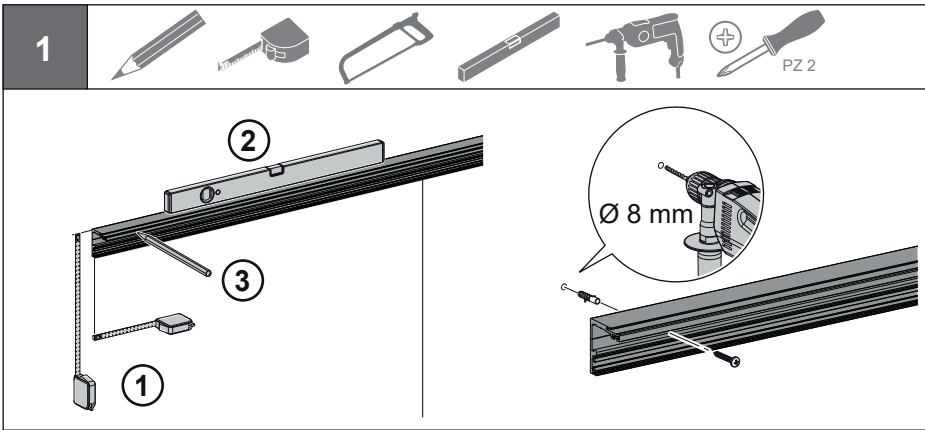
732.29.719

HDE 20.10.2022



732.29.719

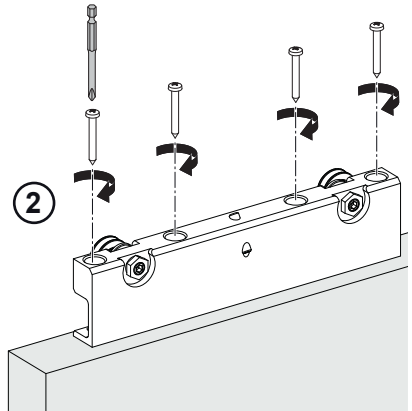
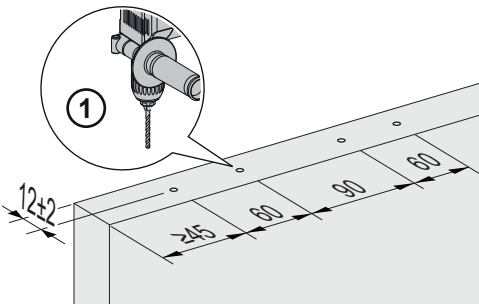
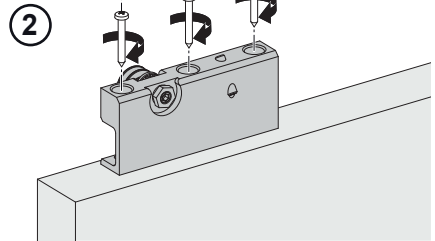
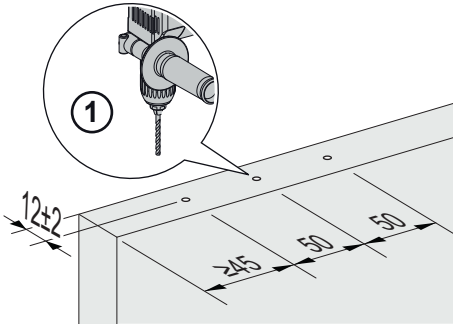
HDE 20.10.2022



732.29.719

HDE 20.10.2022

3



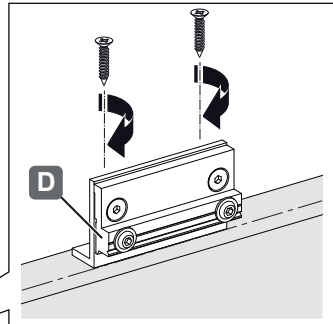
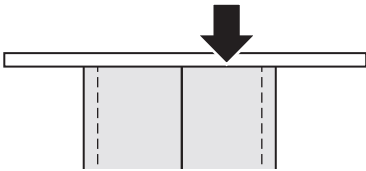
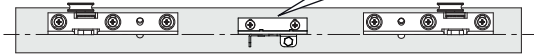
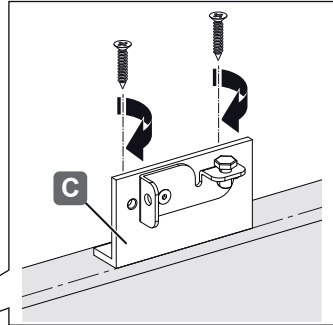
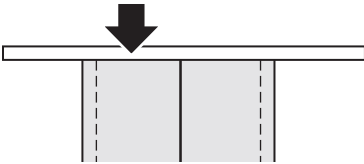
732.29.719

HDE 20.10.2022

4



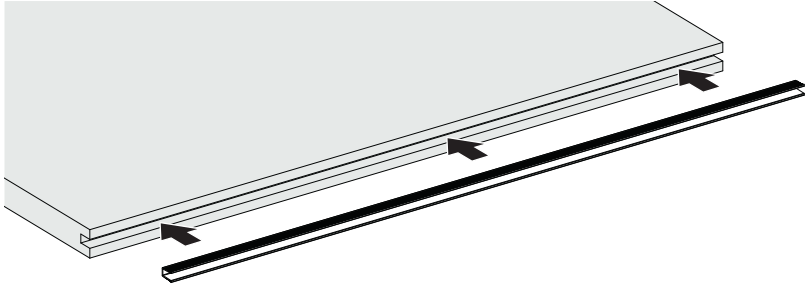
PZ 2



732.29.719

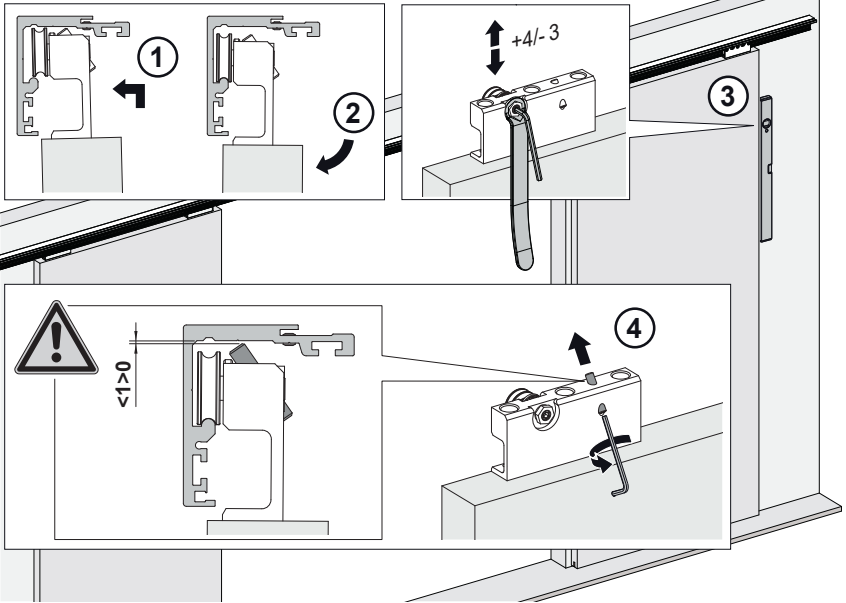
HDE 20.10.2022

5

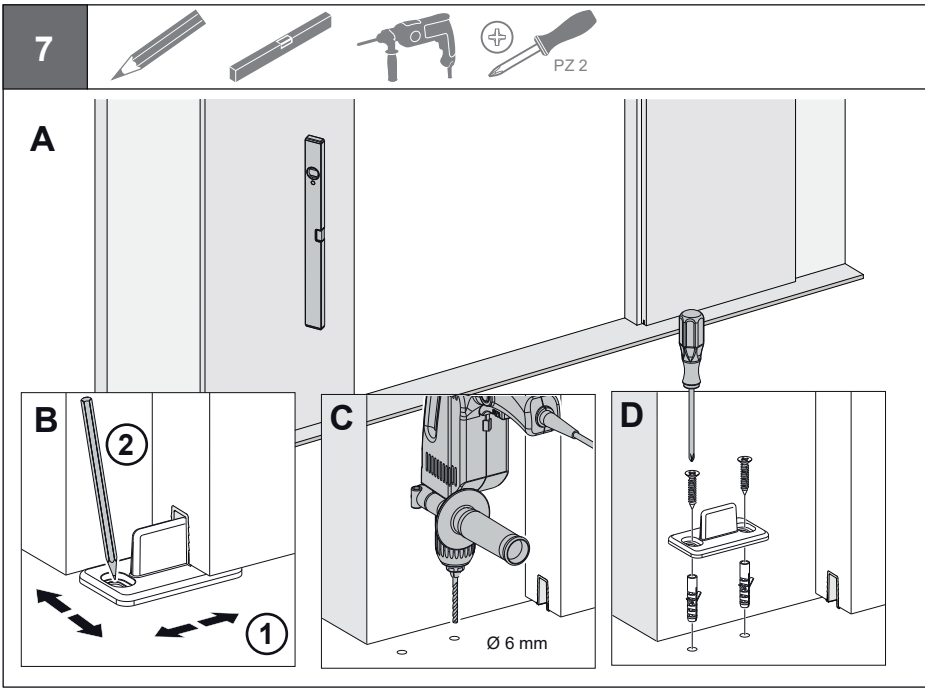


732.29.719

6



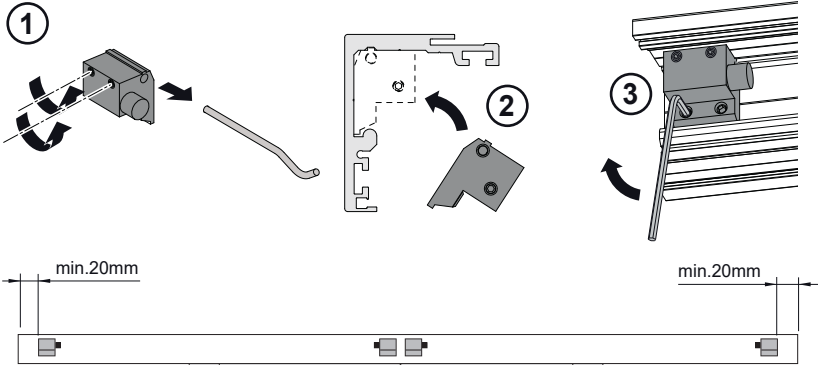
HDE 20.10.2022



732.29.719

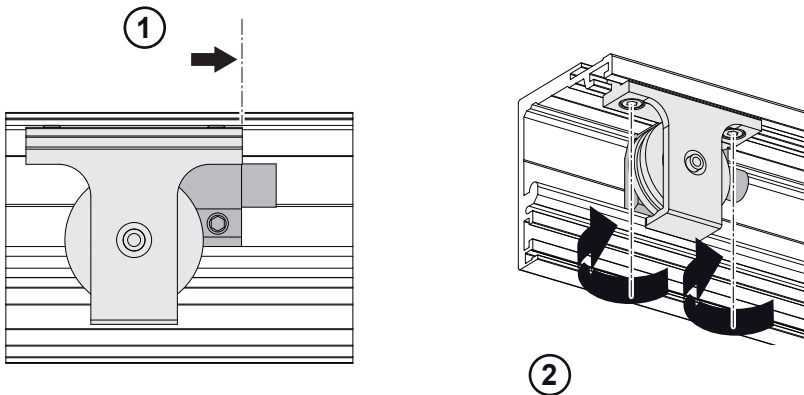
HDE 20.10.2022

8



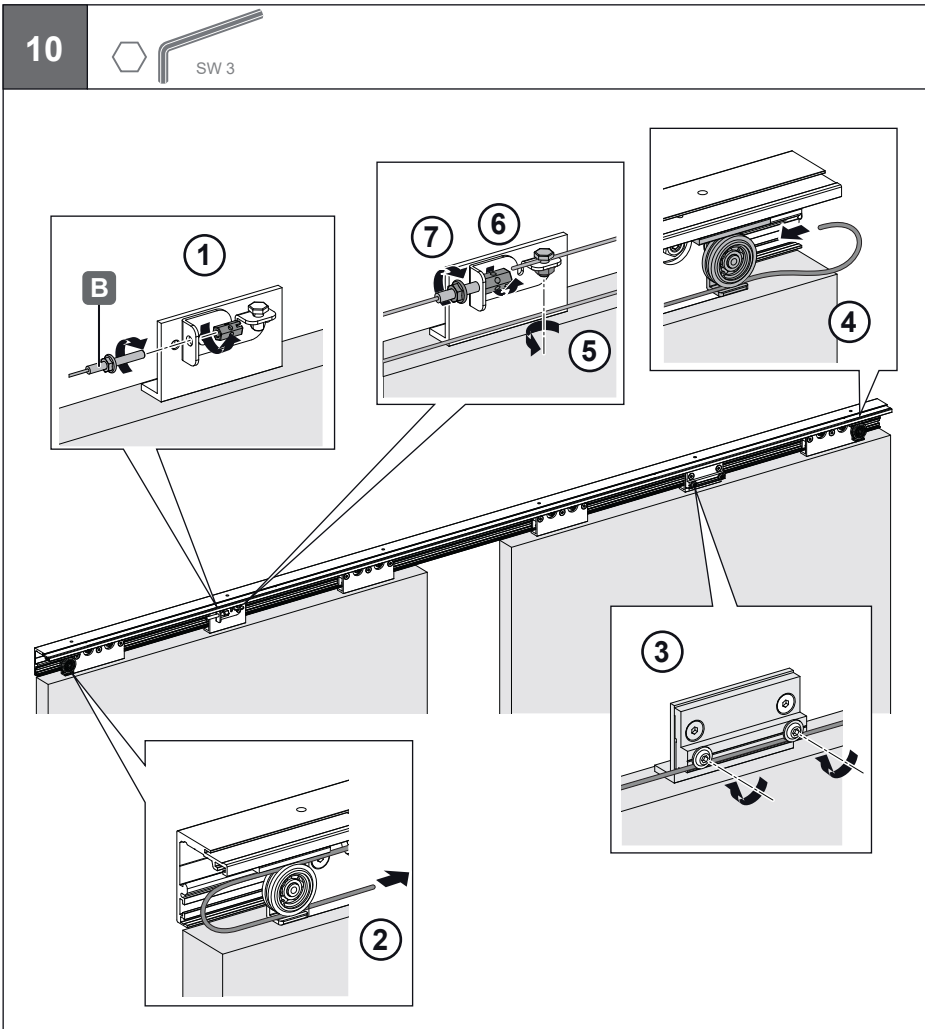
732.29.719

9



HDE 20.10.2022

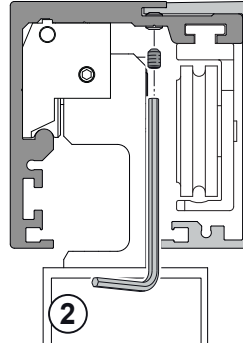
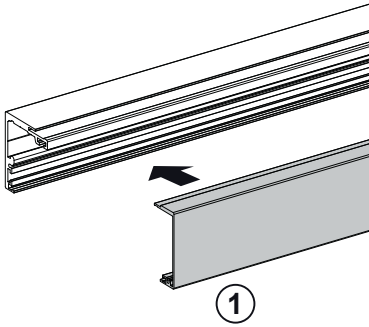
10



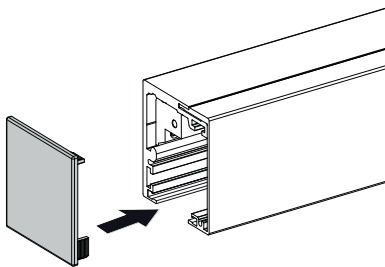
732.29.719

HDE 20.10.2022

10



11



732.29.719

HDE 20.10.2022

732.29.719

HDE 20.10.2022