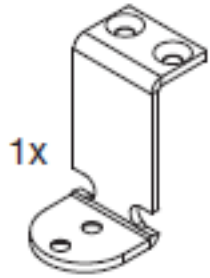
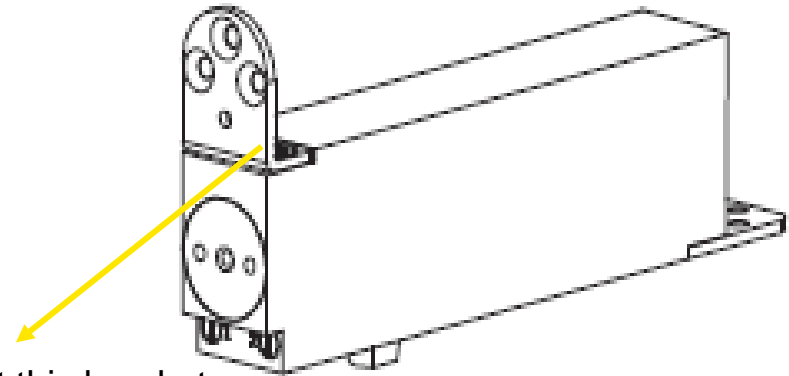


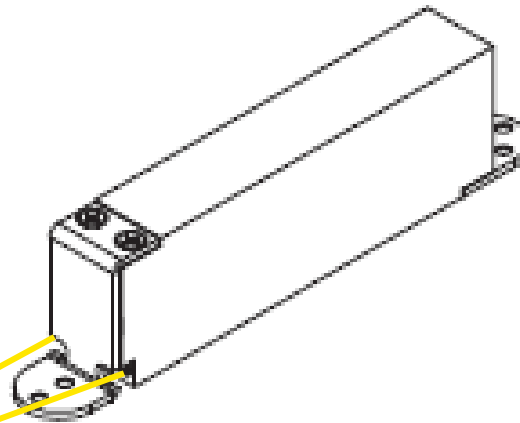
Pivotica® Pro – Central position



Extra bracket for central position is added to the packaging



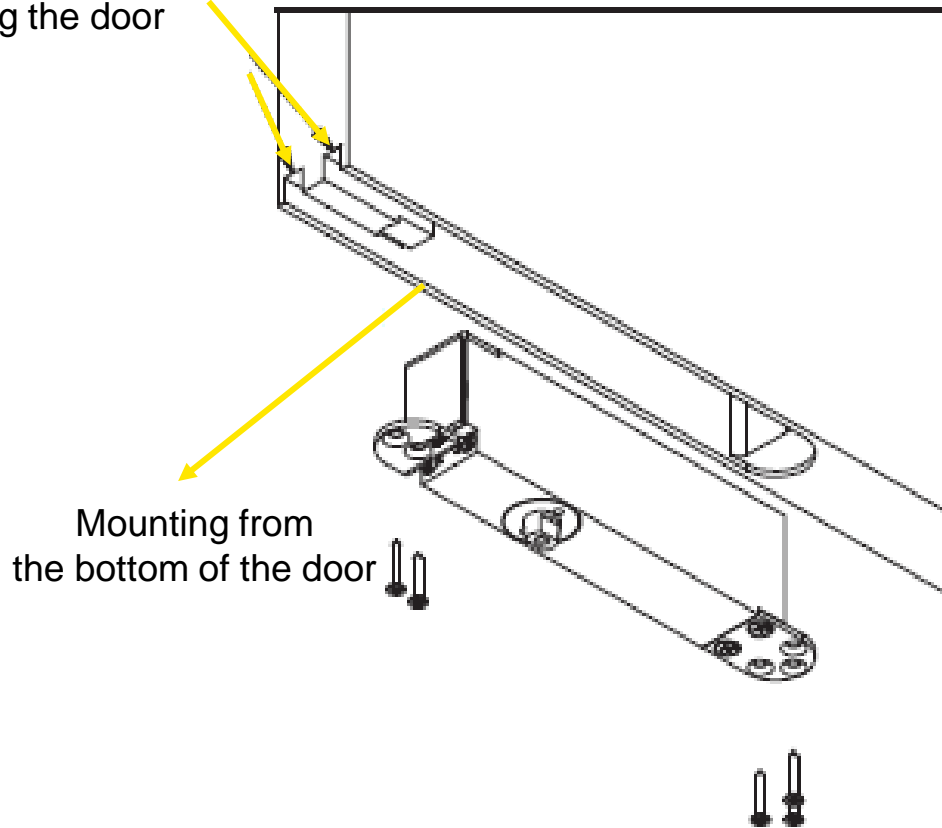
Dismount this bracket and mount the bracket for central position



Speed adjustment remains accessible

Pivotica® Pro – Central position

Optional grooves to access the adjustment without dismounting the door



Mounting from the bottom of the door

- Advantage: Completely invisible hinge
- Disadvantage : If the grooves aren't used, the door needs to be dismantled to do the adjustment